

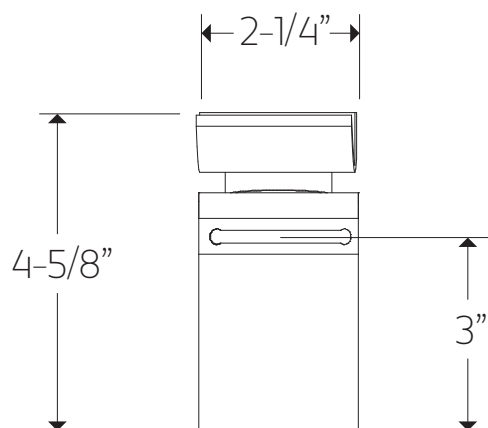
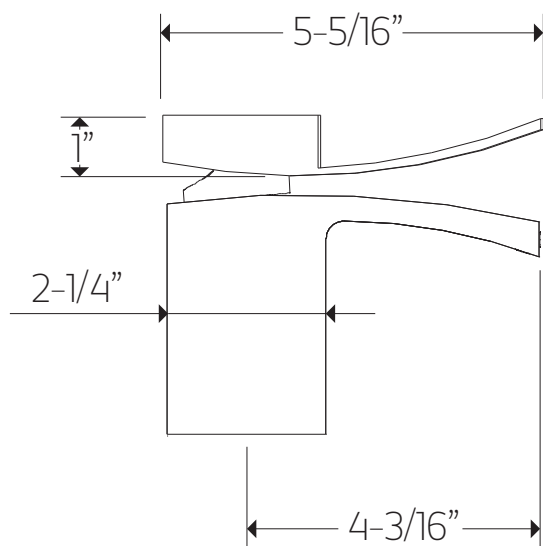
artos[®]
the art of style



F201-3

TECHNICAL DATA SHEET

quarto lav faucet,
front flow



artos[®]

F201-3

OPERATING SPECIFICATIONS

quarto lav faucet,
front flow



OPERATING PRESSURE

Minimum: 15 psi

Maximum: 75 psi

90psi+ may be necessary to install a pressure reducer

OPERATING TEMPERATURE

Maximum: 176°

FLOW RATE

1.2 USGPM

REQUIREMENTS

Max Surface Thickness: 1-5/8"

APPROVALS

