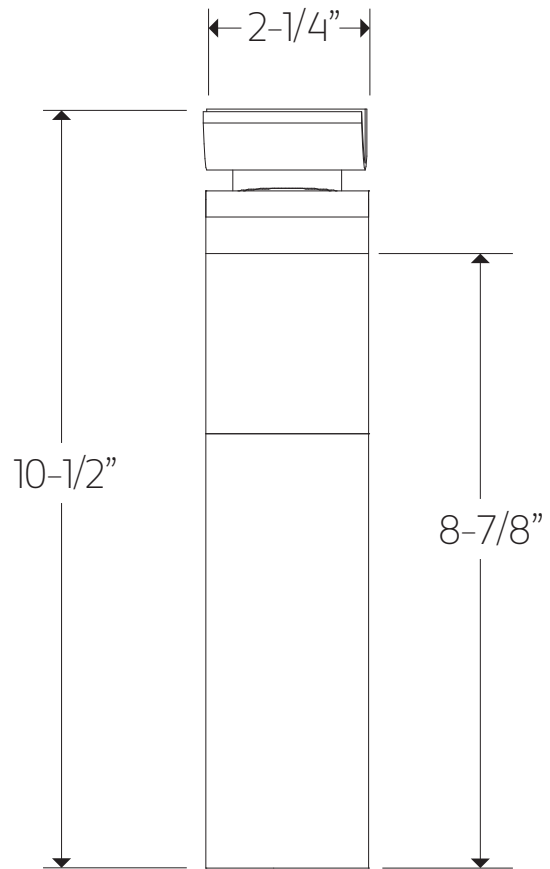
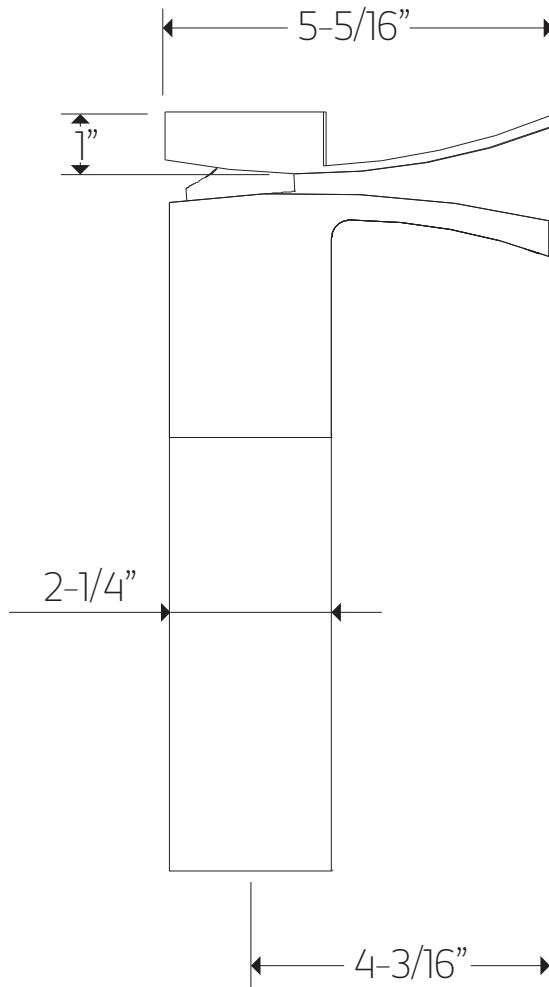




F201-2

**TECHNICAL DATA SHEET**

quarto vessel lav faucet  
high



# artos<sup>®</sup>

F201-2

## OPERATING SPECIFICATIONS

quarto vessel lav faucet  
high



### OPERATING PRESSURE

Minimum: 15 psi

Maximum: 75 psi

90psi+ may be necessary to install a pressure reducer

### OPERATING TEMPERATURE

Maximum: 176°

### FLOW RATE

1.2 USGPM

### REQUIREMENTS

Max Surface Thickness: 1-5/8"

### APPROVALS

