

# artos<sup>®</sup>

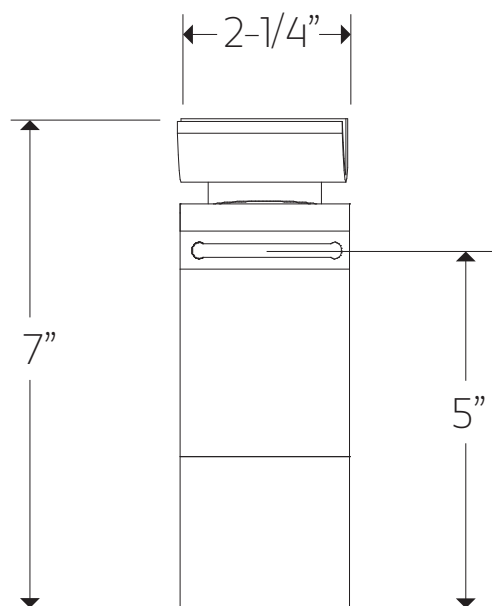
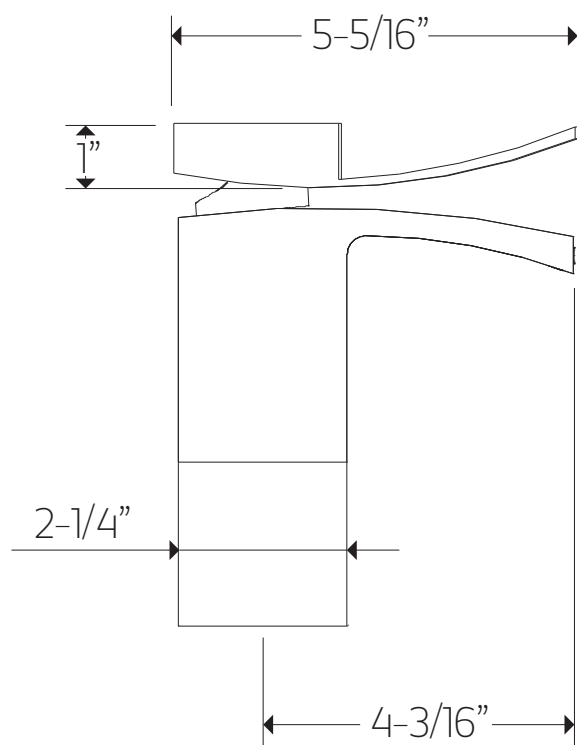
the art of style



F201-7

## TECHNICAL DATA SHEET

quarto vessel lav faucet,  
front flow



# artos<sup>®</sup>

F201-7

## OPERATING SPECIFICATIONS

quarto vessel lav faucet,  
front flow



### OPERATING PRESSURE

Minimum: 15 psi

Maximum: 75 psi

90psi+ may be necessary to install a pressure reducer

### OPERATING TEMPERATURE

Maximum: 176°

### FLOW RATE

1.2 USGPM

### REQUIREMENTS

Max Surface Thickness: 1-5/8"

### APPROVALS

