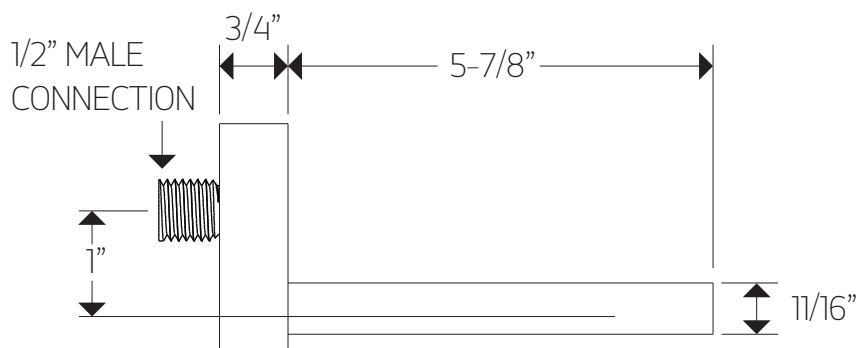
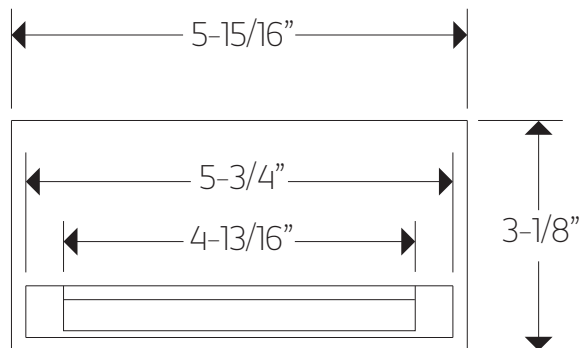


F202ALT-1

TECHNICAL DATA SHEET

quarto wall mount tub filler,
open extended spout



artos[®]

F202ALT-1

OPERATING SPECIFICATIONS

quarto wall mount tub filler,
open extended spout



FEATURES

Open Spout, Waterfall Flow

OPERATING PRESSURE

Minimum: 15 psi

Maximum: 75 psi

Above 90psi it may be necessary to install a pressure reducer

FLOW RATE

10.0 USGPM