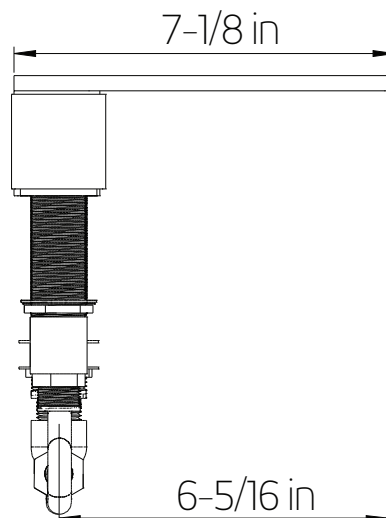
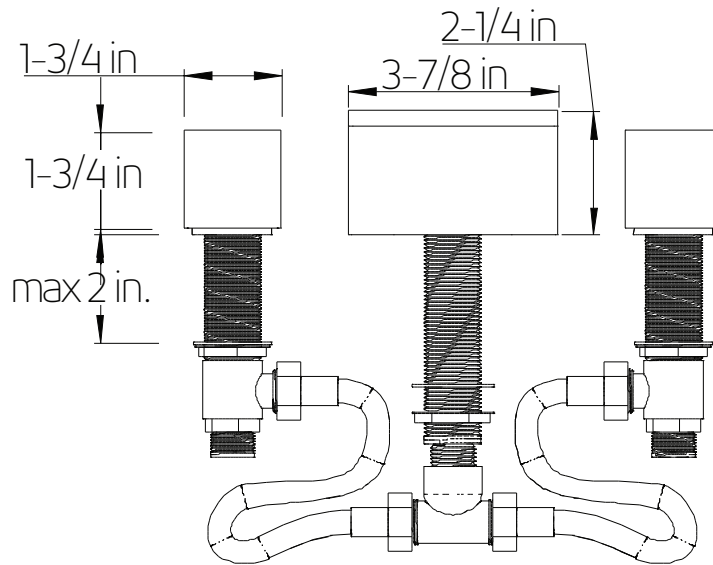


F402-5

TECHNICAL DATA SHEET

3-hole deck mount tub filler
squ



artos

F402-5

OPERATING SPECIFICATIONS

3-hole deck mount tub filler
squ

FEATURES

Tub Filler with Two Controls

OPERATING PRESSURE

Minimum: 15 psi

Maximum: 75 psi

Above 90psi it may be necessary to install a pressure reducer

OPERATING TEMPERATURE

Maximum: 176°

FLOW RATE

12.0 USGPM

