

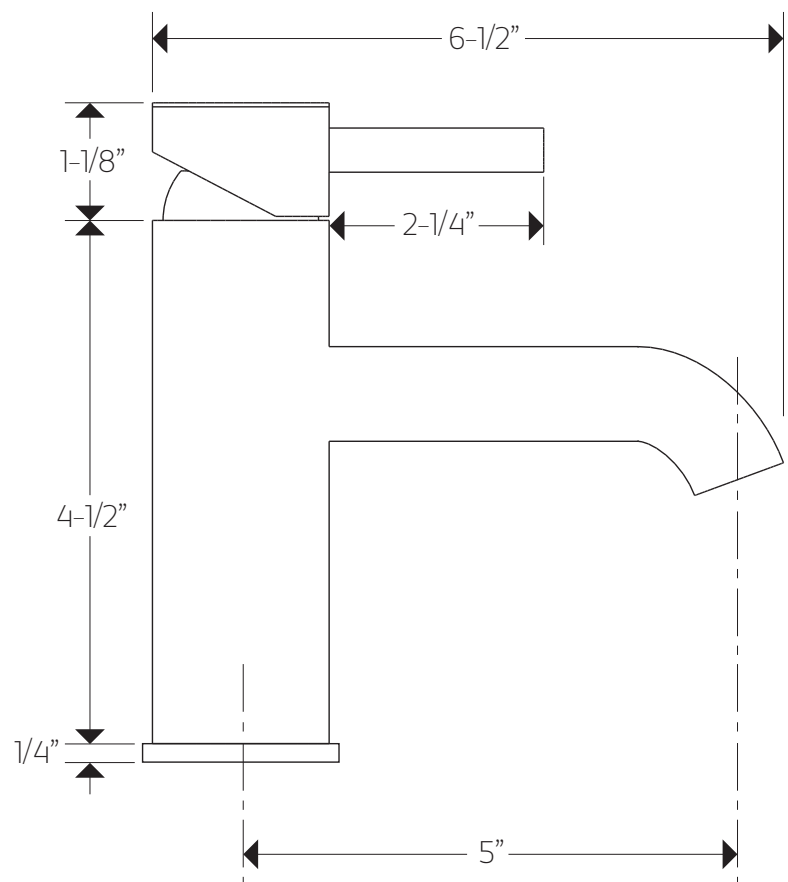
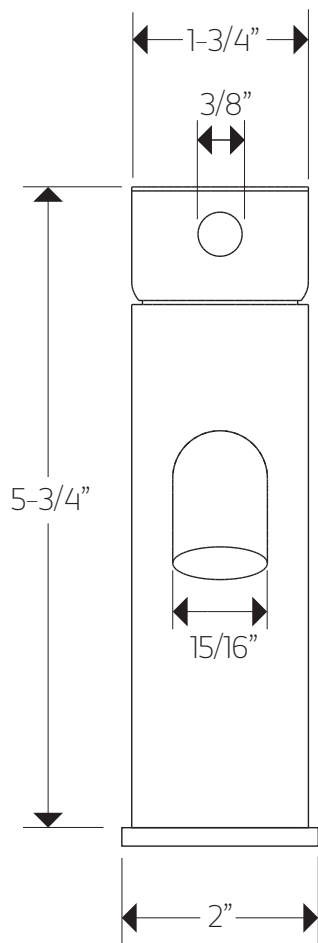
artos[®]
the art of style



F501-3-1

TECHNICAL DATA SHEET

opera lav faucet



artos[®]

F501-3-1

opera lav faucet

OPERATING SPECIFICATIONS



OPERATING PRESSURE

Minimum: 15 psi

Maximum: 75 psi

90psi+ may be necessary to install a pressure reducer

OPERATING TEMPERATURE

Maximum: 176°

FLOW RATE

1.2 USGPM

REQUIREMENTS

Max Surface Thickness: 1-5/8"

APPROVALS

