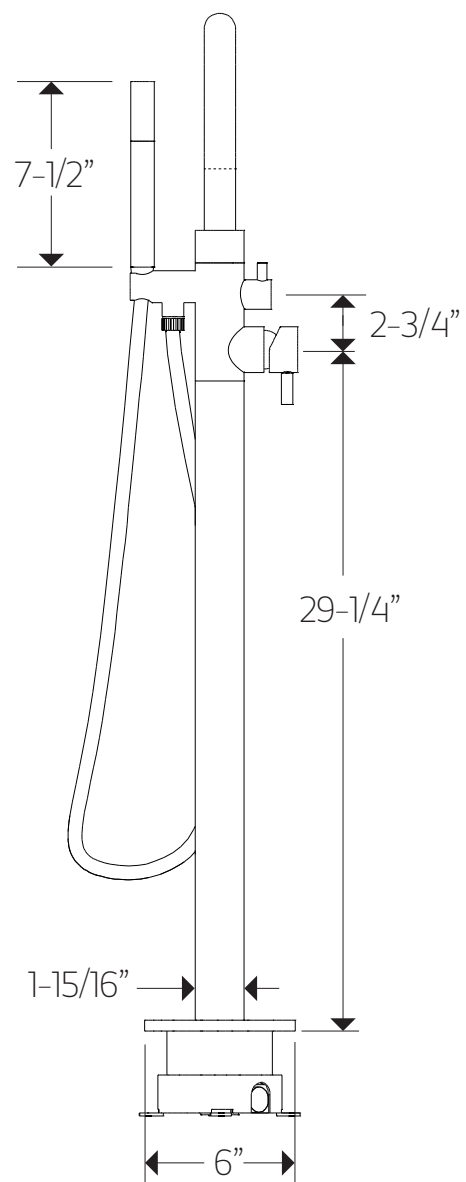
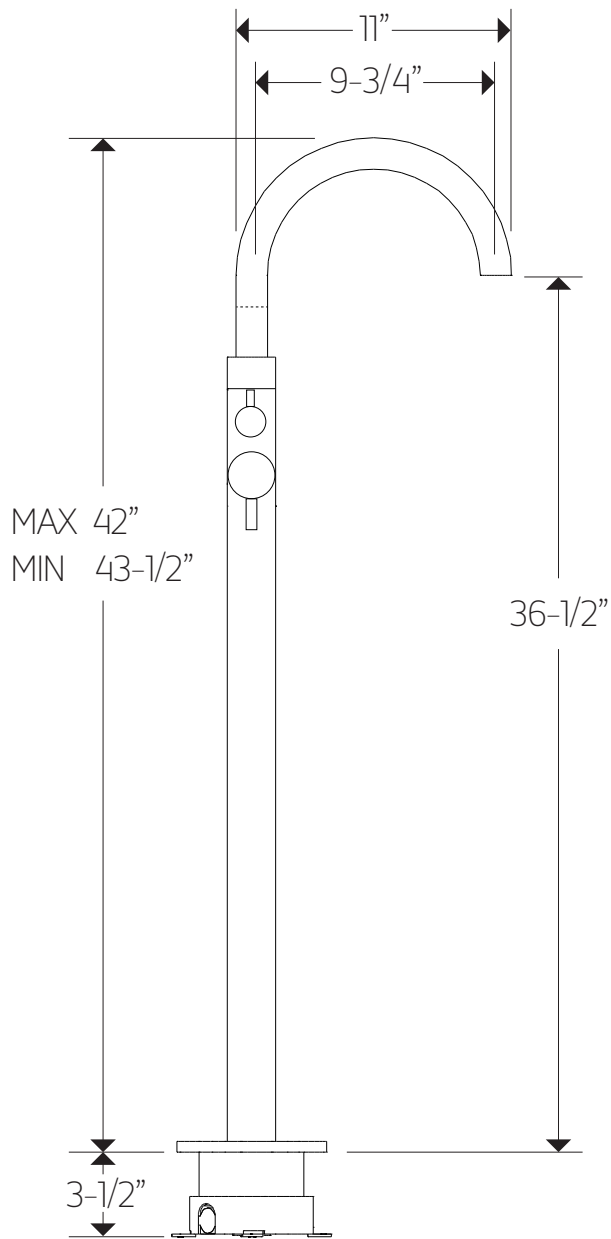


## F502-5-1

## TECHNICAL DATA SHEET

opera floor mount tub filler  
with hand shower, short



# artos<sup>®</sup>

F502-5-1

## OPERATING SPECIFICATIONS

opera floor mount tub filler  
with hand shower, short



### FEATURES

Integrated Hand Shower  
Integrated Controls

### OPERATING PRESSURE

Minimum: 15 psi  
Maximum: 75 psi  
Above 90psi it may be necessary to install a pressure reducer

### OPERATING TEMPERATURE

Maximum: 176°

### FLOW CAPACITY

Tub Filler: 6.0 USGPM  
Hand Shower: 2.0USGPM