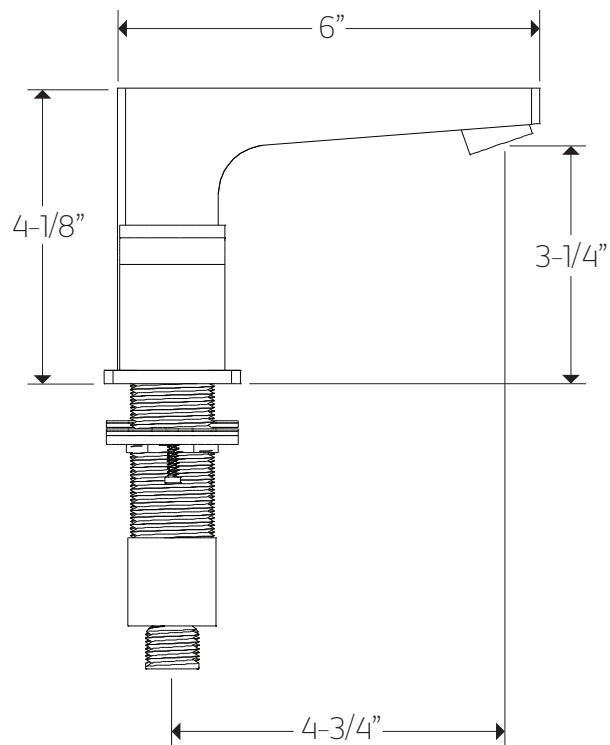
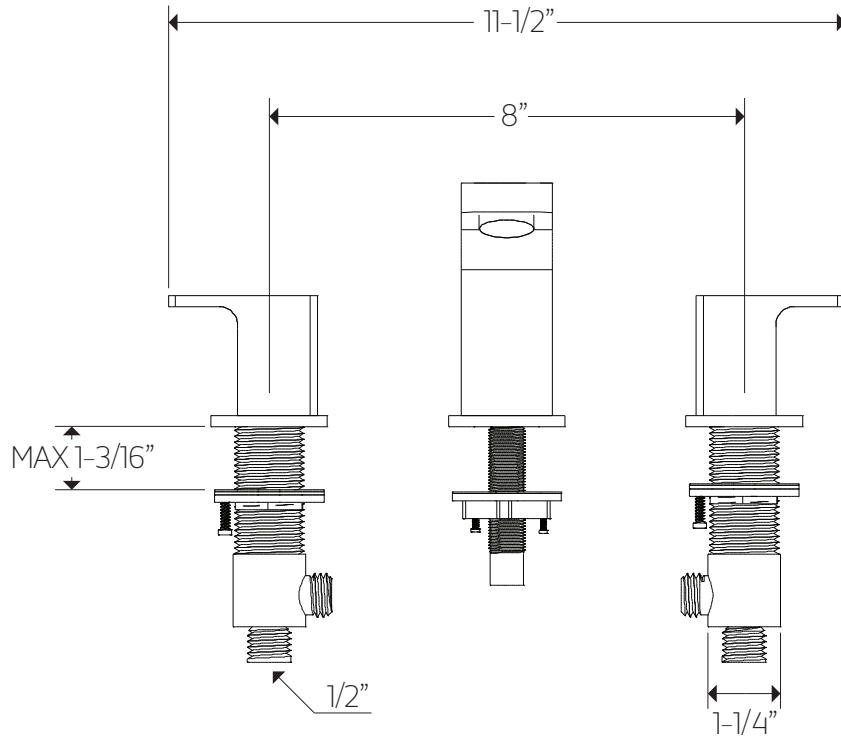




## F701-5

## TECHNICAL DATA SHEET

safire 8" lav faucet



# artos<sup>®</sup>

F701-5

## OPERATING SPECIFICATIONS

safire 8" lav faucet



### FEATURES

Valve bodies included

### OPERATING PRESSURE

Minimum: 15 psi

Maximum: 75 psi

Above 90psi it may be necessary to install a pressure reducer

### OPERATING TEMPERATURE

Maximum: 176°

### FLOW RATE

1.2 USGPM

### APPROVALS

