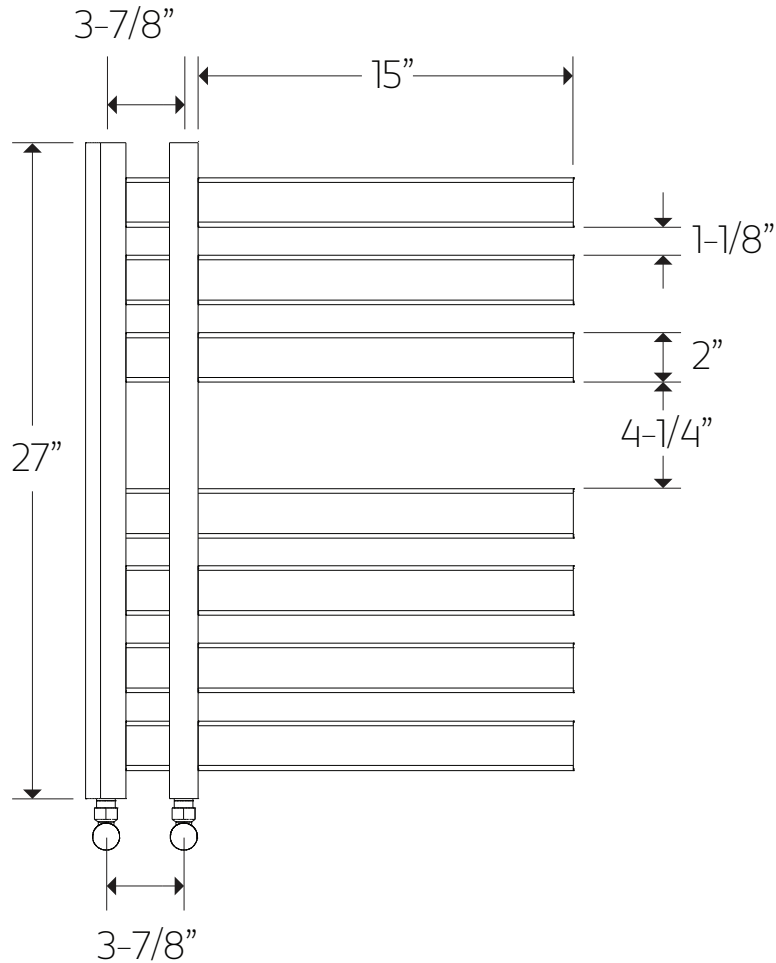
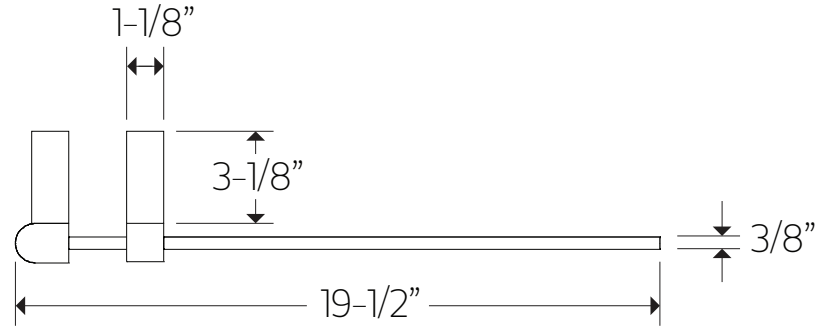


## MS06950H

## TECHNICAL DATA SHEET

ioni towel warmer,  
hydronic



APPROXIMATE  
VALVE CENTERS

# artos

MS06950H

## OPERATING SPECIFICATIONS

ioni towel warmer,  
hydronic



### FEATURES

Towel warming, drying and auxiliary heating.

### ELEMENT

1845 BTU

1/2" BSPT tappings.

### REQUIREMENTS

Towel warmers must be used in a closed water system, incorporating a rust inhibitor.