

# artos<sup>®</sup>

## F301-4

## INSTALLATION GUIDE

otella vessel lav faucet,  
high

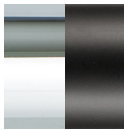
BRUSHED NICKEL(BN)



CHROME(CH)



CHROME+BLACK(CHB)



# artos<sup>®</sup>

F301-4

## OPERATING SPECIFICATIONS

otella vessel lav faucet,  
high



### FEATURES

Adjustable Aerator

### OPERATING PRESSURE

Minimum: 15 psi

Maximum: 75 psi

Above 90psi it may be necessary to install a pressure reducer

### FLOW RATE

1.2 USGPM

### APPROVALS

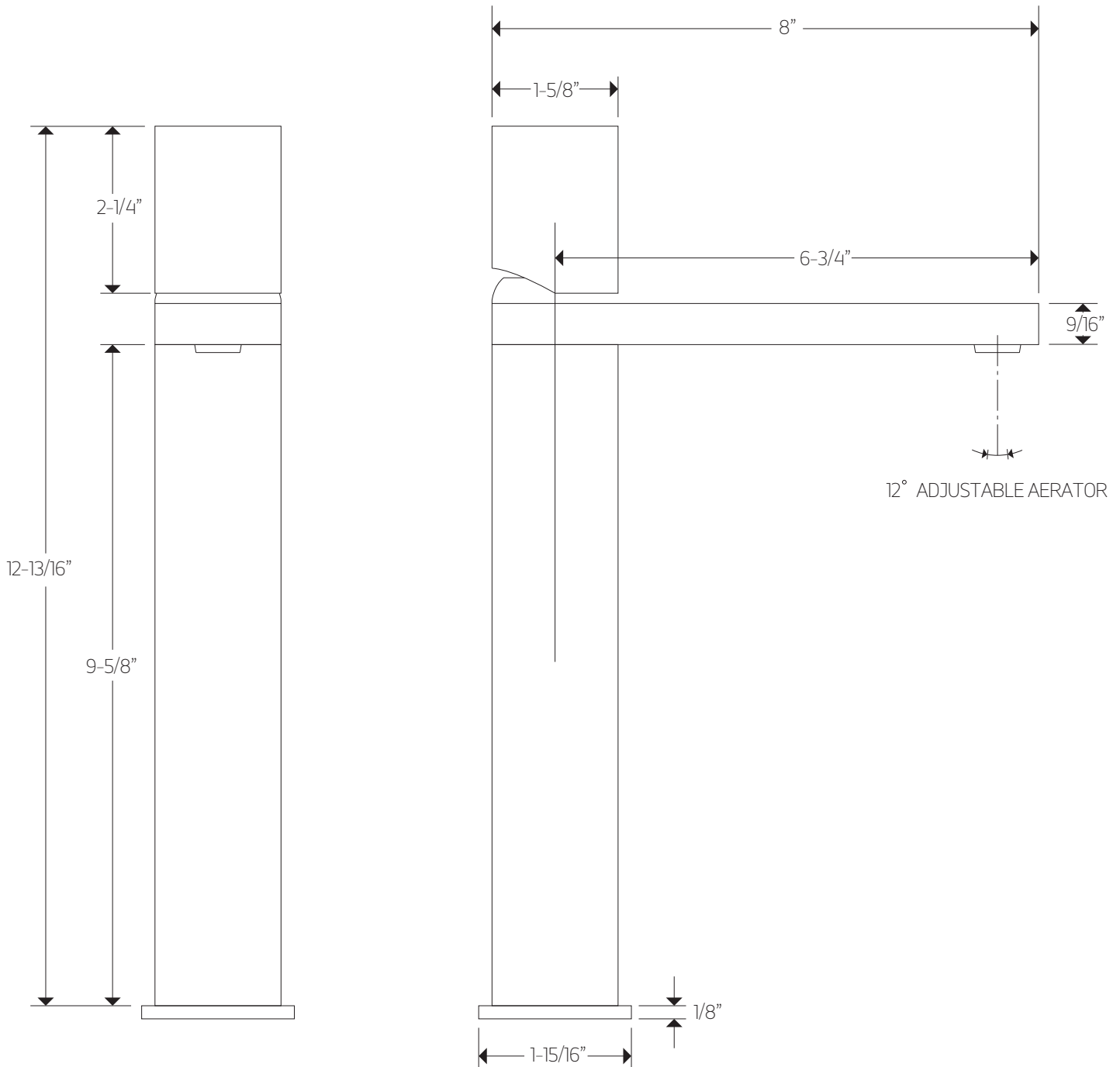


# artos<sup>®</sup>

F301-4

## PRODUCT DIMENSIONS

otella vessel lav faucet,  
high

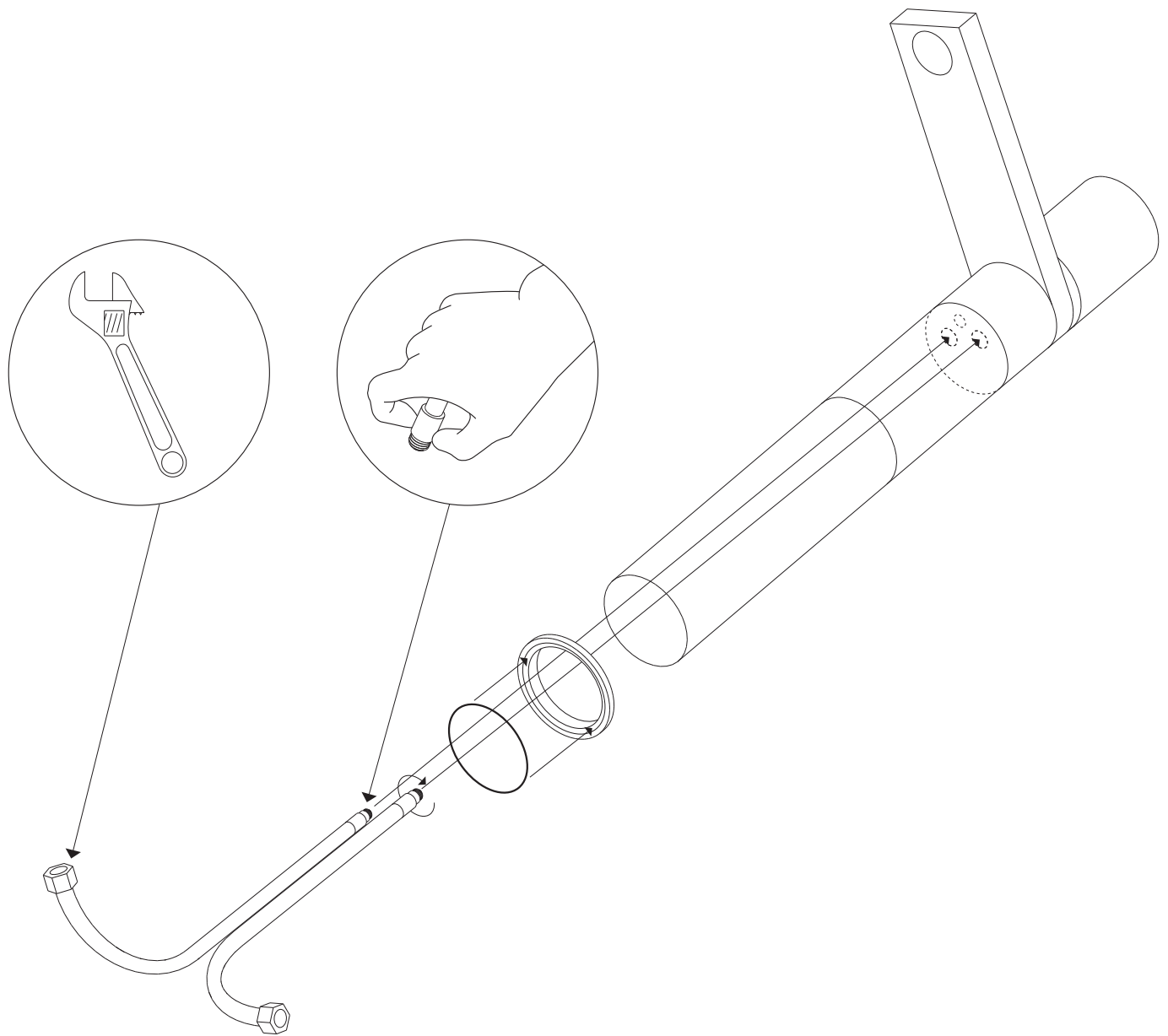


# artos<sup>®</sup>

## F301-4

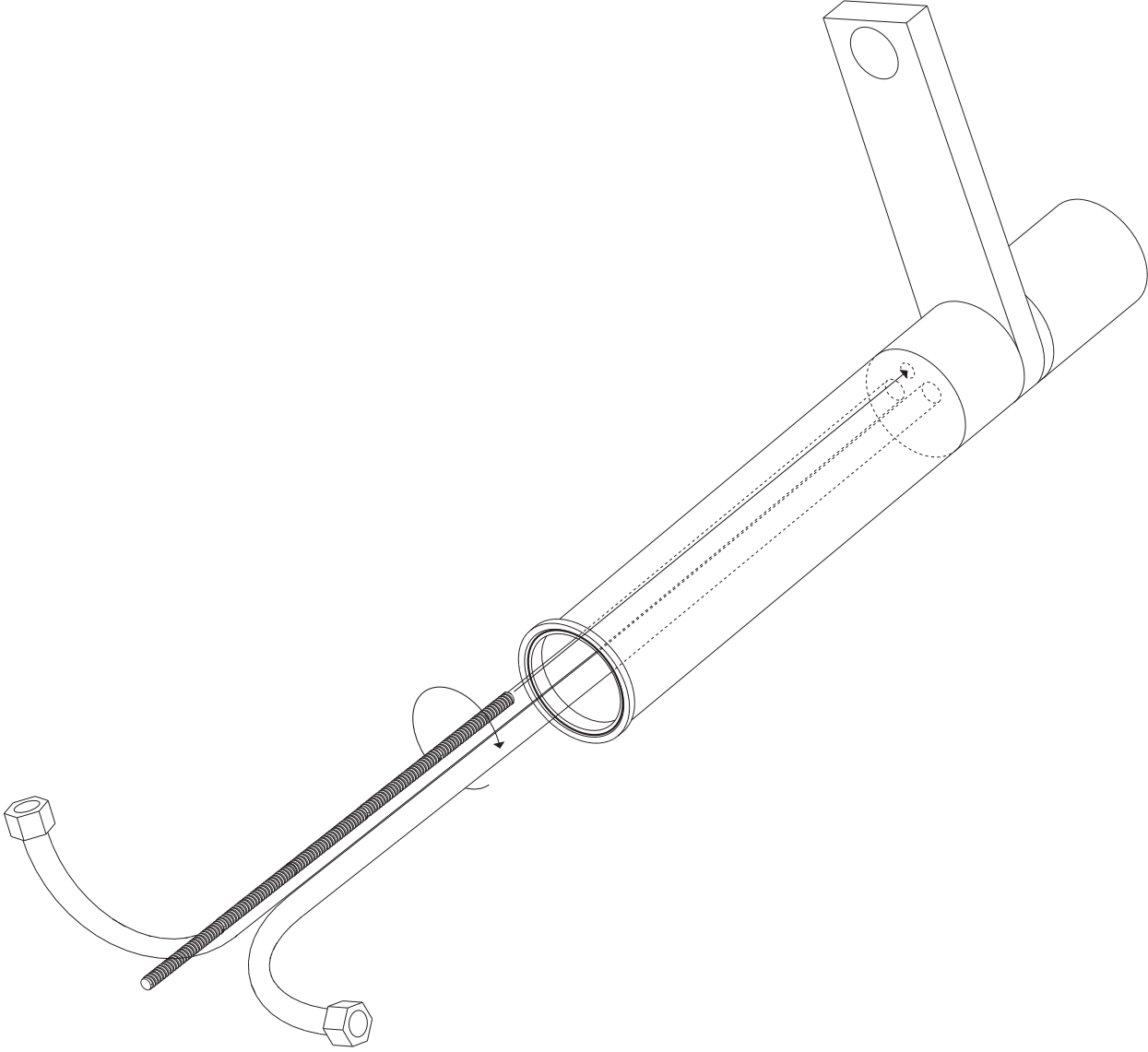
otella vessel lav faucet,  
high

### STEP 1



**INSTALLATION STEPS**

**STEP 2**

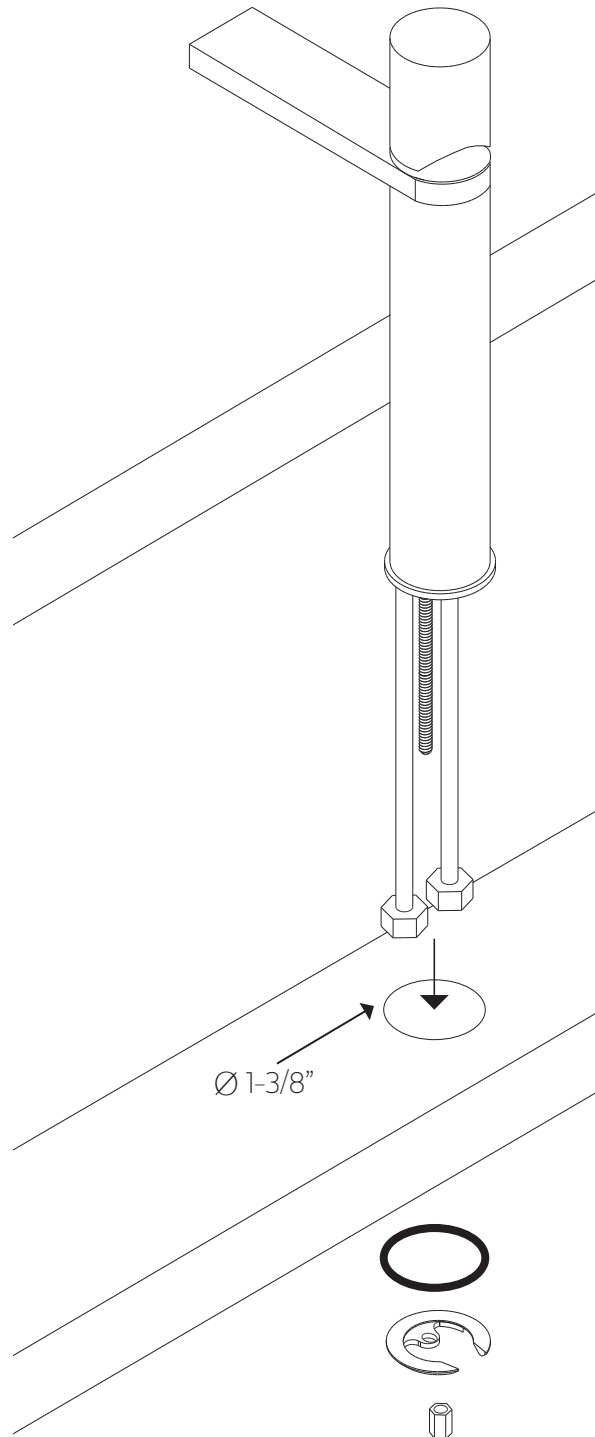


# artos<sup>®</sup>

## F301-4

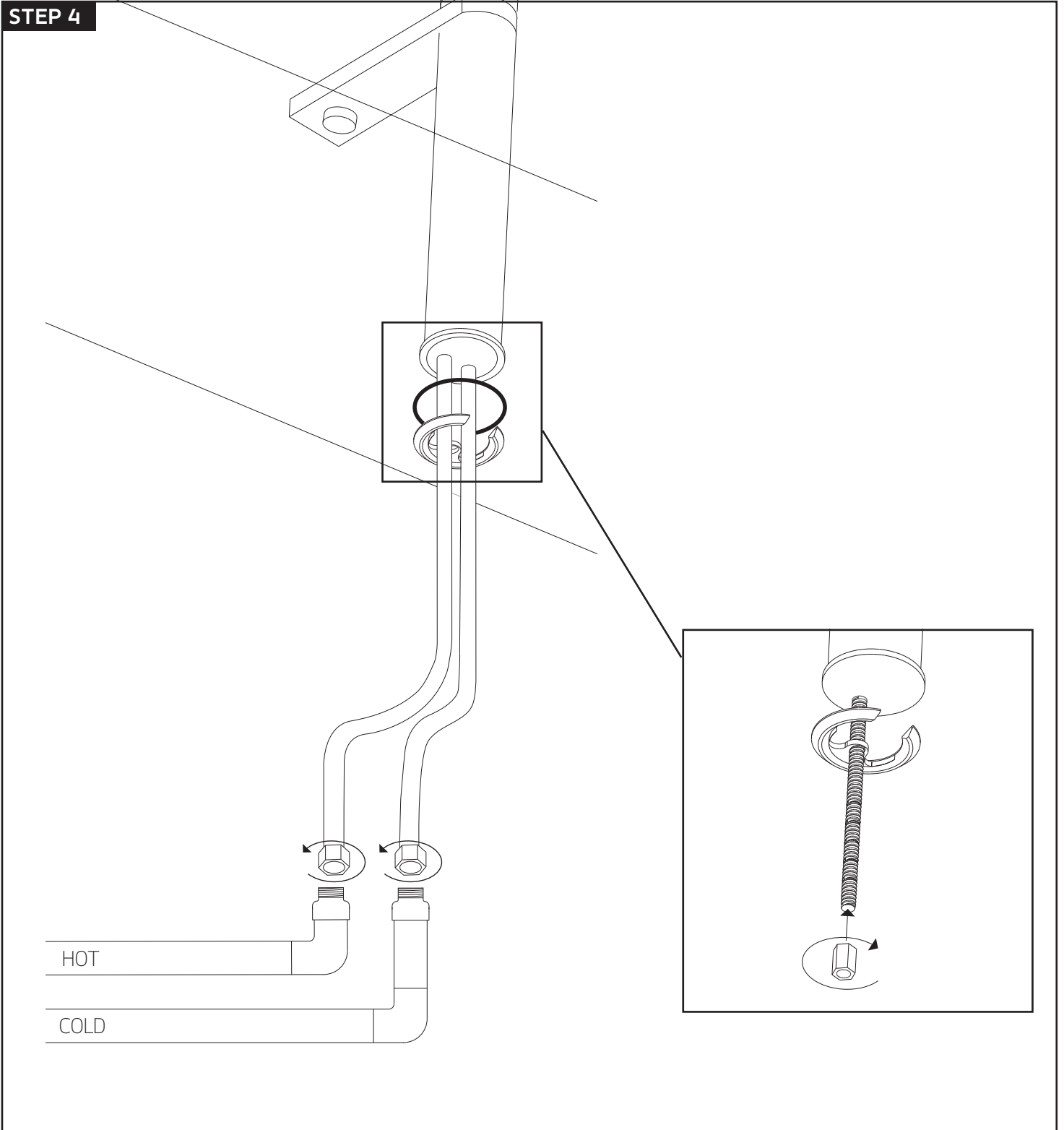
otella vessel lav faucet,  
high

### STEP 3

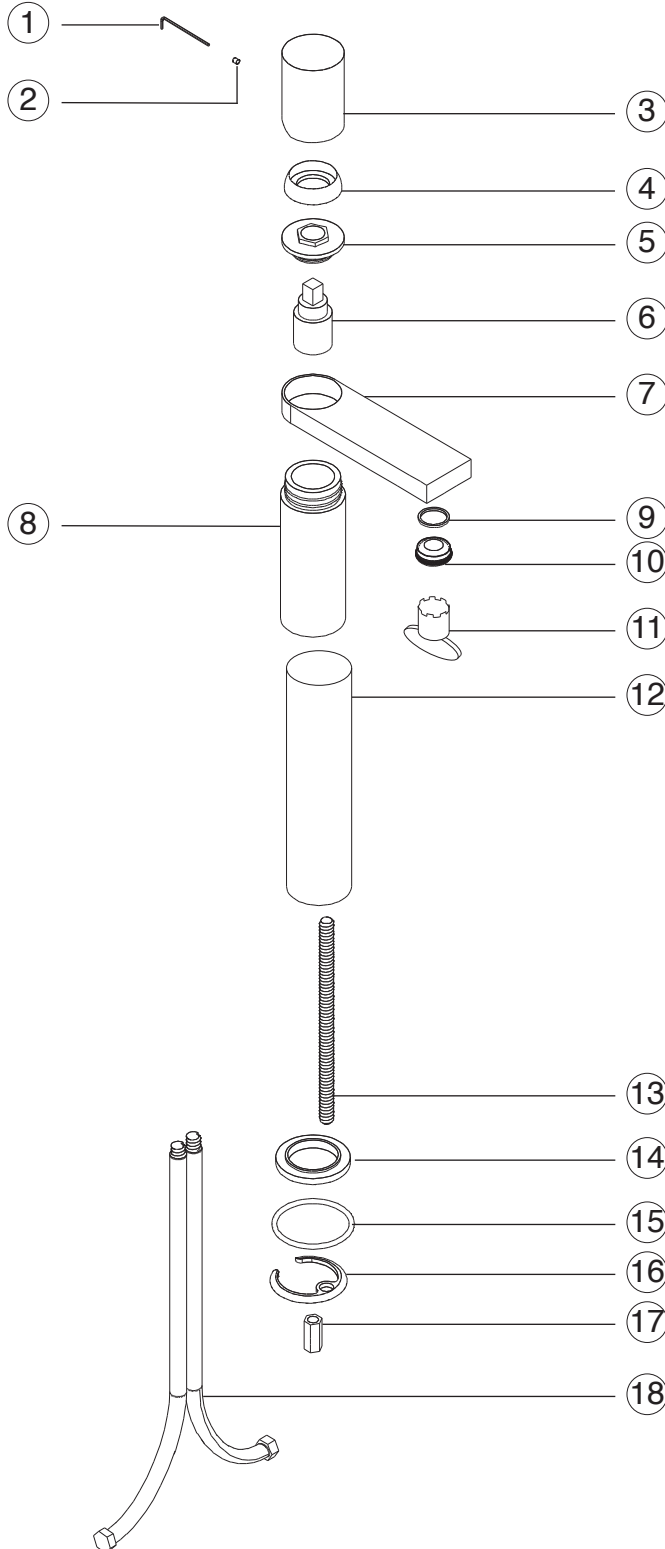


# INSTALLATION STEPS

## STEP 4



otella vessel lav faucet,  
high



- ① ALLEN WRENCH F301-4 XP1
- ② SET SCREW F301-4 XP2
- ③ FAUCET HANDLE F301-4 XP3
- ④ CARTRIDGE DRESS RING F301-4 XP4
- ⑤ CARTRIDGE SECURING NUT F301-4 XP5
- ⑥ CARTRIDGE F301-4 XP6
- ⑦ FAUCET SPOUT F301-4 XP7
- ⑧ FAUCET BODY F301-4 XP8
- ⑨ AERATOR WASHER F301-4 XP9
- ⑩ FAUCET AERATOR F301-4 XP10
- ⑪ AERATOR REMOVAL TOOL F301-4 XP11
- ⑫ VESSEL BODY F301-4 XP12
- ⑬ STAY BAR F301-4 XP13
- ⑭ ESCUTCHEON RING F301-4 XP14
- ⑮ BRACKET FLANGE GASKET F301-4 XP15
- ⑯ MOUNTING BRACKET FLANGE F301-4 XP16
- ⑰ FLNAGE SECURING NUT F301-4 XP17
- ⑱ SUPPLY HOSES F301-4 XP18



otella vessel lav faucet,  
high

For best results, keep the following in mind to retain the high quality finish of your artos® faucets:

- Use a soft, dampened sponge or cloth. On no account should you use an abrasive material such as a brush, scouring pad or steel wool to clean surfaces.
- Test your cleaning agent solution on an inconspicuous area before applying to the entire faucet.
- Wipe surfaces clean and rinse completely with water immediately after applying cleaning agent.
- An ideal cleaning technique is to rinse faucet thoroughly and blot dry any water from the surface after each use.

### LIMITED LIFETIME WARRANTY

UWR/LPLWHG/LIHWLPH:DUUDW

UWRIDXFHWKDHEHHPDXIDFWXUHGXGHUWKHKLKHWTXDOLWDGPDXIDFWXULWDGDUGUWR  
IDXFHWDUHXDUDWHHGIRUOLIHDDLWOHDNDGPDXIDFWXULGHIHFWIRUDORDWKHRULLDO  
FRXPHUSXUFKDHURLW7KLDUUDWDSSOLHWRLWDOODWLRWKH86DDGDDG0HLFR  
TRUWKPHULFDRPPHUFLO,GXWULDORUEXLHXHDUHDUUDWHGIRUDSHULRGRIRHHDIURP  
WKHRULLDOGDWHRISXUFKDH

7KLDUUDWLRWUDIHUDEOHDGSSOLHHFOXLHOWRWKHRULLDORHURUHGXHU ,IDGHIHFWL  
IRXGGXULRUPDOXHUWRLOODWLWHOFWLRUHSDLUUHSODFHRUPDNHDDSSURSULDWHDGMXWPHW  
DPDHFDXHGEDFFLGHWPLXHDEXHLPURSUSHULWDOODWLRRUUDOWHWDWLRLOORLGWKHDUUDW  
7KLDUUDWGRHRWFRHUUHSODFHPHWSDUWKHUHGDPDHLFDXHGGERUPDOHDUDGWHDU  
/DERUFKDUHLWDOODWLRURRWKHULFLGHWDORUFRHTXHWLDOFRWLOORWEHFRHUHG

5HSODFHPHWSDUWWKDWTXDOLIIRUDUUDWUHSDLUFDEHREWDLHGFEFRWDFWLUWRDW  
5726RUEHPDL0DWLIRDURXFRP3URRIRISXUFKDHURULLDODOHUHFHLSWIUR PWKH  
RULLDOFRXPHUSXUFKDHUPXWDFFRPSDDOODUUDWFODLP:KHXEPLWWLRXUFODLP L  
ULWLSOHDHSURLGHRXUDPHDGGUHDGWHOHSKRHXPEHU

3 0 H D H U H L W H U W K L S R U @ I G X I F D W W : : : 5 7 2 6 8 6 2 0

, W H P 1 R )  
6 H U L D 0 1 R