

artos[®]

F701-1

INSTALLATION GUIDE

safire lav faucet

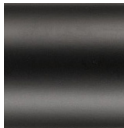
BRUSHED NICKEL(BN)



CHROME(CH)



BLACK(BK)



artos[®]

F701-1

safire lav faucet

OPERATING SPECIFICATIONS



OPERATING PRESSURE

Minimum: 15 psi

Maximum: 75 psi

90psi+ may be necessary to install a pressure reducer

OPERATING TEMPERATURE

Maximum: 176°

FLOW RATE

1.2 USGPM

REQUIREMENTS

Max Surface Thickness: 1-5/8"

APPROVALS

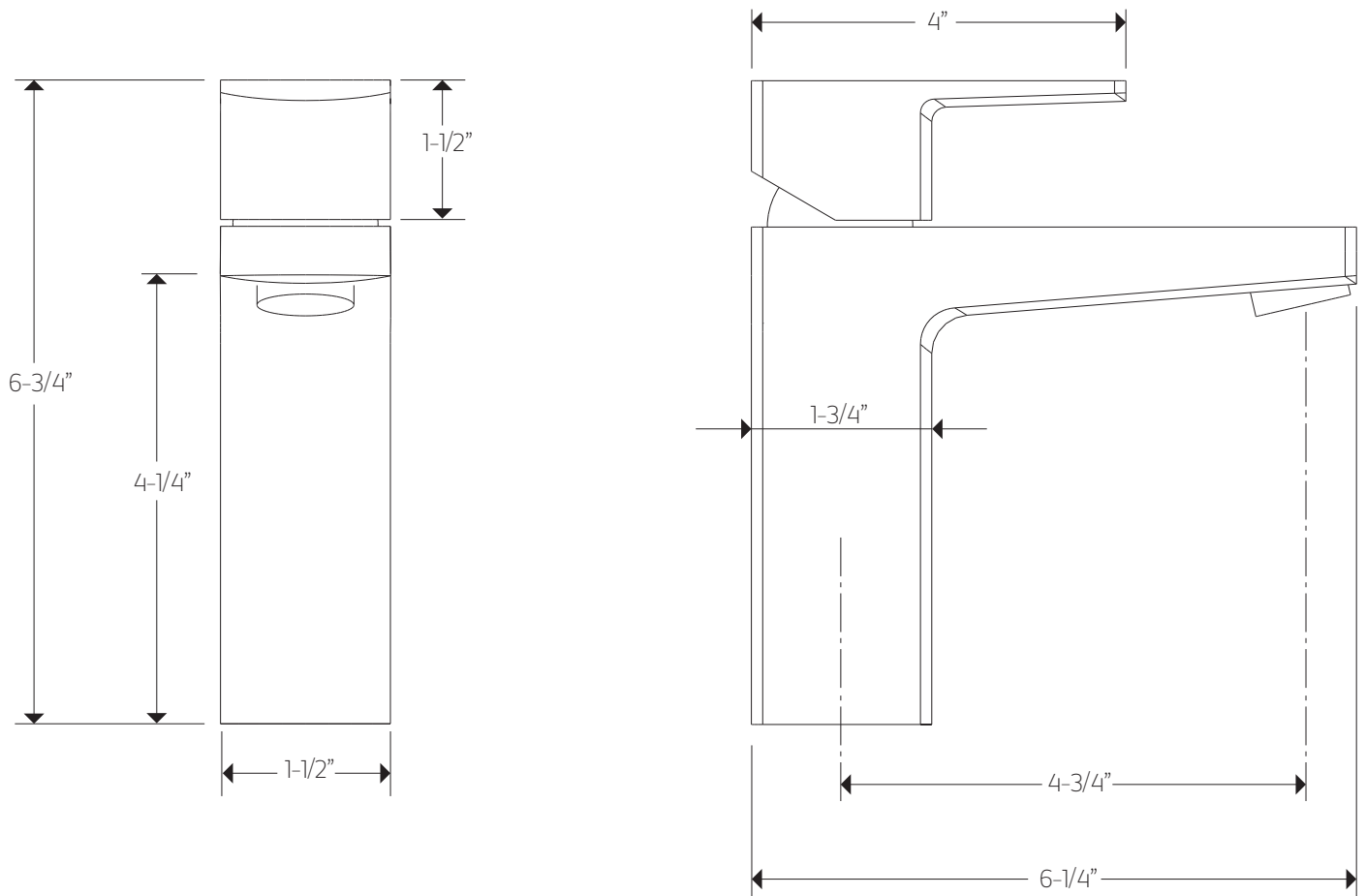


artos[®]

F701-1

PRODUCT DIMENSIONS

safire lav faucet

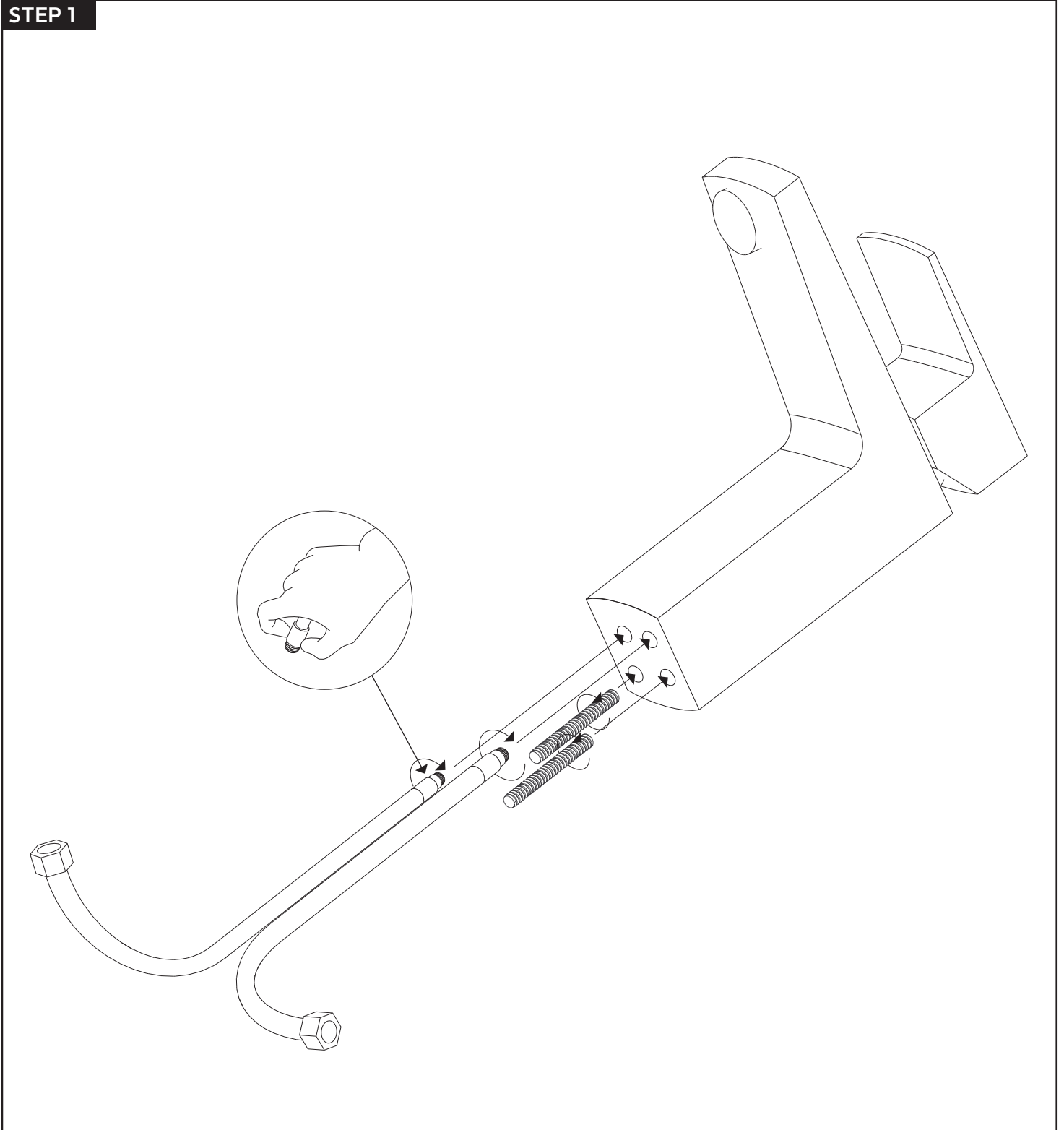


artos[®]

F701-1

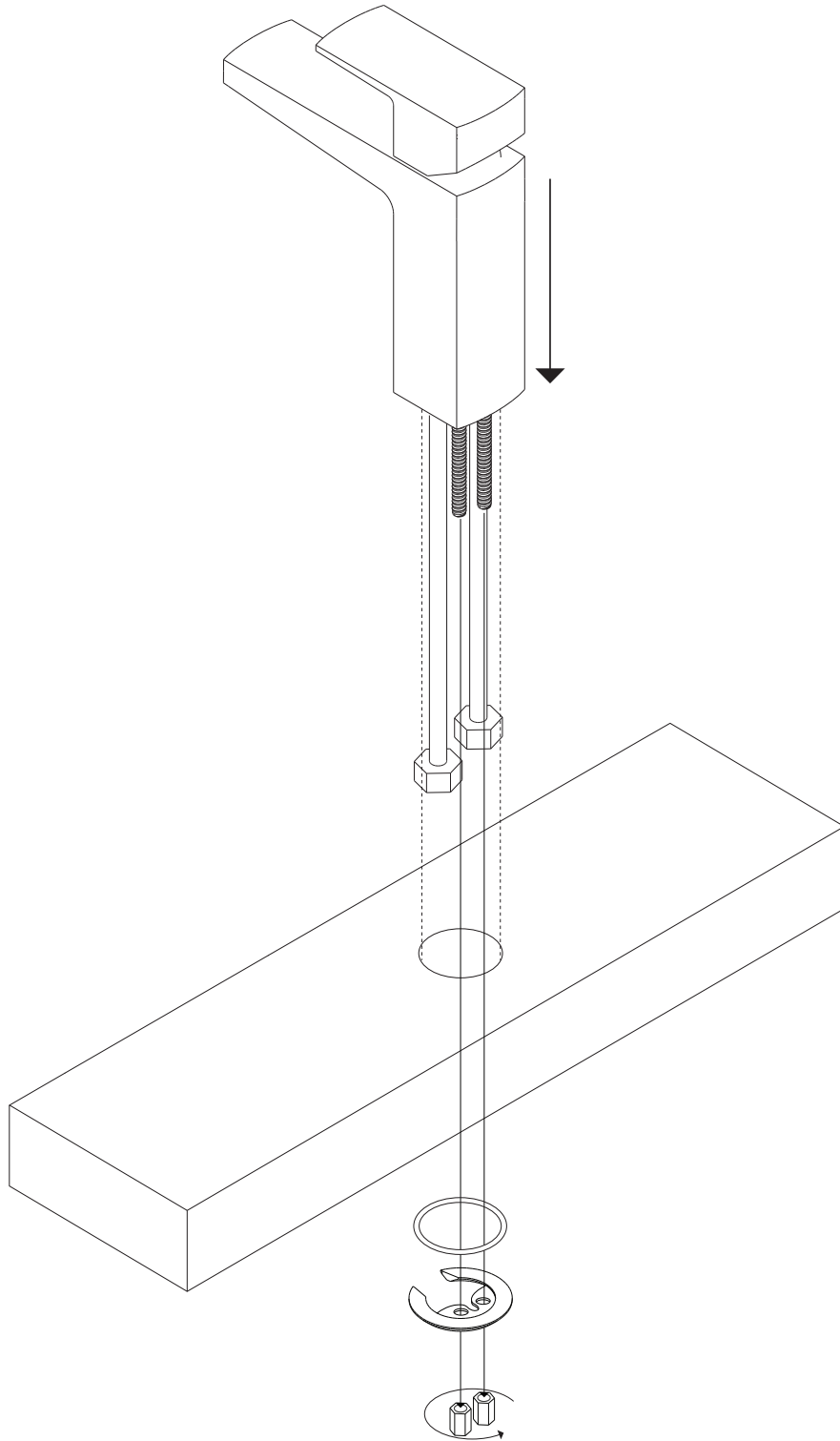
safire lav faucet

STEP 1

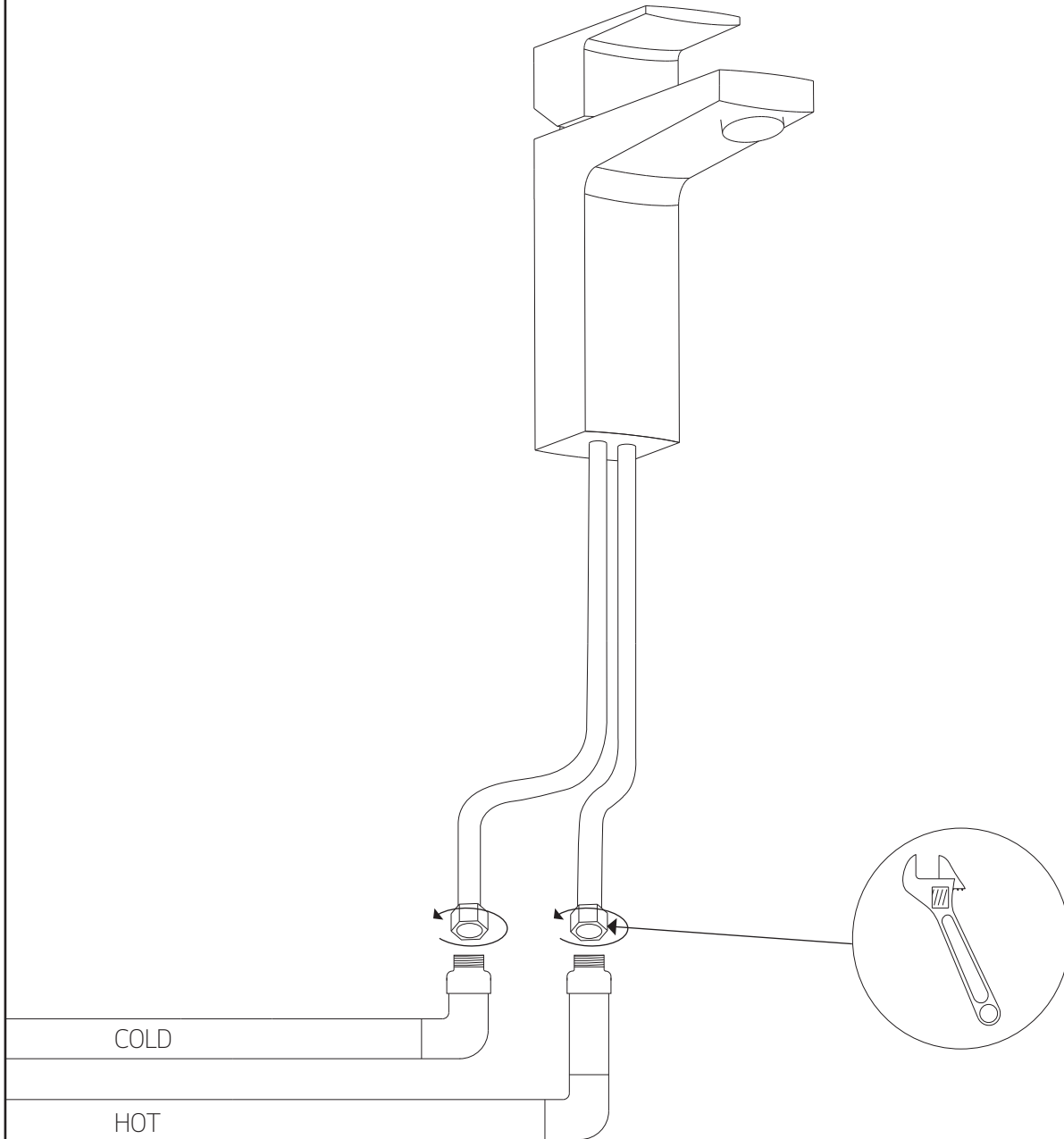


INSTALLATION STEPS

STEP 2



STEP 3

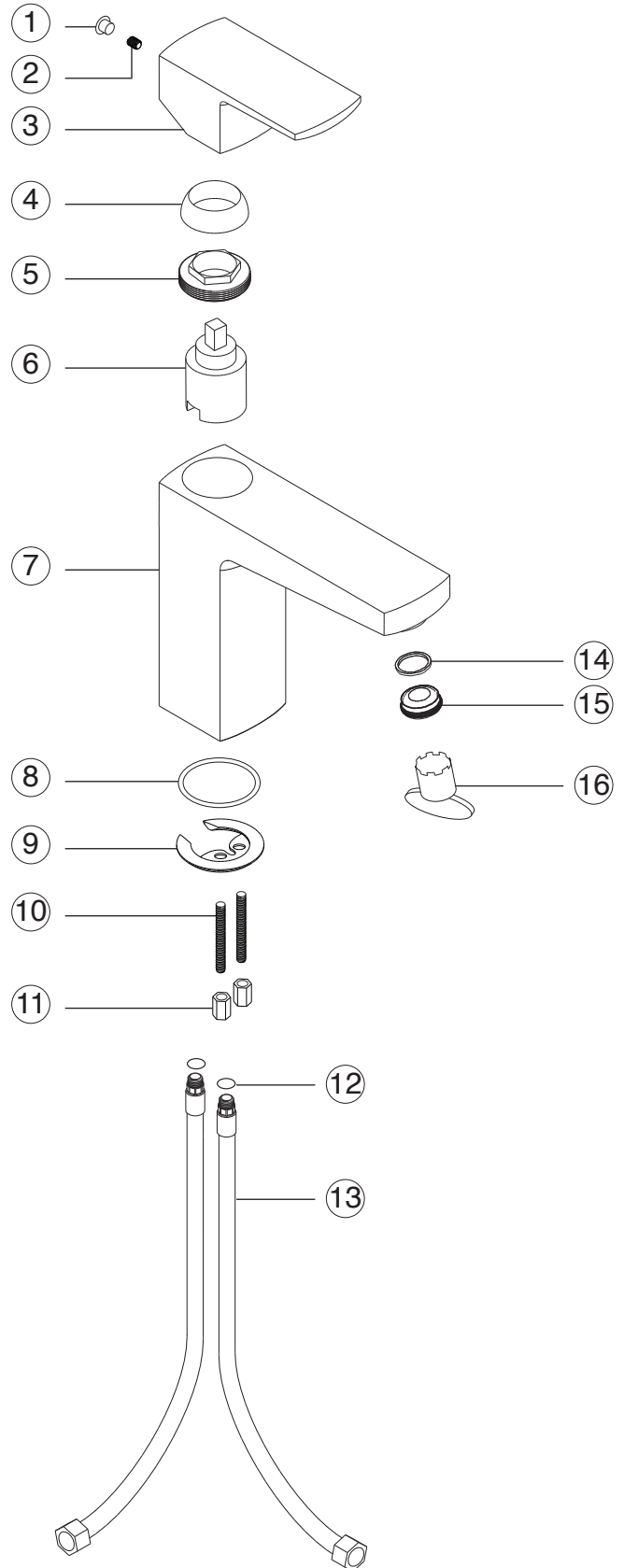


artos®

F701-1

safire lav faucet

- ① **HANDLE HOLE CAP** F701-1 XP1
- ② **HANDLE SET SCREW** F701-1 XP2
- ③ **FAUCET HANDLE** F701-1 XP3
- ④ **DRESS RING** F701-1 XP4
- ⑤ **CARTRIDGE SECURING NUT** F701-1 XP5
- ⑥ **CARTRIDGE** F701-1 XP6
- ⑦ **FAUCET BODY** F701-1 XP7
- ⑧ **RUBBER WASHER** F701-1 XP8
- ⑨ **METAL SECURING WASHER** F701-1 XP9
- ⑩ **THREADED ROD(2)** F701-1 XP10
- ⑪ **UNDER DECK SECURING NUT(2)** F701-1 XP11
- ⑫ **SUPPLY HOSE O-RING(2)** F701-1 XP12
- ⑬ **SUPPLY HOSE(2)** F701-1 XP13
- ⑭ **AERATOR WASHER** F701-1 XP14
- ⑮ **AERATOR** F701-1 XP15
- ⑯ **AERATOR REMOVAL TOOL** F701-1 XP16



For best results, keep the following in mind to retain the high quality finish of your artos[®] faucets:

- Use a soft, dampened sponge or cloth. On no account should you use an abrasive material such as a brush, scouring pad or steel wool to clean surfaces.
- Test your cleaning agent solution on an inconspicuous area before applying to the entire faucet.
- Wipe surfaces clean and rinse completely with water immediately after applying cleaning agent.
- An ideal cleaning technique is to rinse faucet thoroughly and blot dry any water from the surface after each use.

LIMITED LIFETIME WARRANTY

UWR/LPLWHG/LIHWLPH:DUUDW

UWRIDXFHWKDEHHPDXIDFWXUHGXGHUWKHKLKHWTXDOLWDGPDXIDFWXULWDGDUGUWR
IDXFHWDUHXDUDWHHGIRUOLIHDDLWOHDNDGPDXIDFWXULGHIHFWIRUDORDWKHRULLDO
FRXPHUSXUFKDHURLW7KLDUUDWDSSOLHWRLWDOODWLRWLWKH86DDGDDG0HLFR
TRUWKPHULFDRPPHUFLLDO,GXWULDORUEXLHXHUUUDWHGIRUDSHULRGRIRHHUIURP
WXHRULLDOGDWHRISXUFKDH

7KLDUUDWLRWUDIHUDEOHDGSSOLHHFOXLHOWRWKHRULLDORHURUHGXHU ,IDGHIHFWL
IRXGGXULRUPDOXHUWRLOODWLWHOFWLRUHSDLUUHSODFHRUPDNHDDSSURSULDWHDGMXWPHW
DPDHFDXHGEDFFLGHWPLXHDEXHLPURSULWDOODWLRRLUDOWHWDWLRLOORLWGWKHUUDW
7KLDUUDWGRHRWFRHUUHSODFHPHWSDUWKHUHGDPDHLFDXHGGERUPDOHDUDGWHDU
/DERUFKDUHLWDOODWLRURRWKHULFLGHWDORUFRHTXHWLDOFRWLOORWEHFRHUHG

5HSODFHPHWSDUWWKDWTXDOLIIRUDUUDWUHSDLUFDEHREWDLHGFEFRWDFWLUWRDW
5726RUEHPDL0DWLIRDURXFRP3URRIRISXUFKDHULLDODOHUHFHLSWIUR PWKH

Item No: **F 701-1**
Serial No: