

artos[®]

F801-1

INSTALLATION GUIDE

kascade lav faucet

BRUSHED NICKEL(BN)



CHROME(CH)



artos[®]

F801-1

OPERATING SPECIFICATIONS

kascade lav faucet



OPERATING PRESSURE

Minimum: 15 psi

Maximum: 75 psi

90psi+ may be necessary to install a pressure reducer

OPERATING TEMPERATURE

Maximum: 176°

FLOW RATE

1.2 USGPM

REQUIREMENTS

Max Surface Thickness: 1-5/8"

APPROVALS

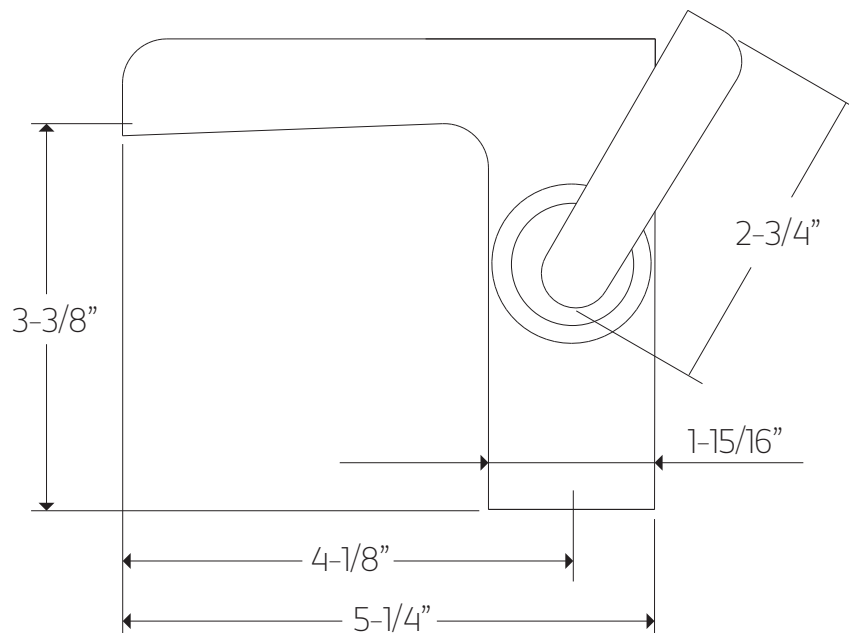
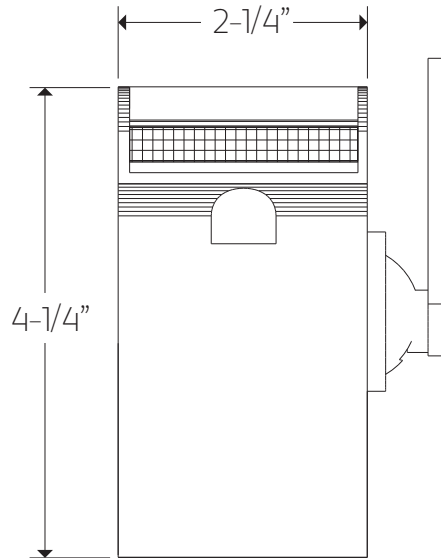


artos[®]

F801-1

PRODUCT DIMENSIONS

kascade lav faucet

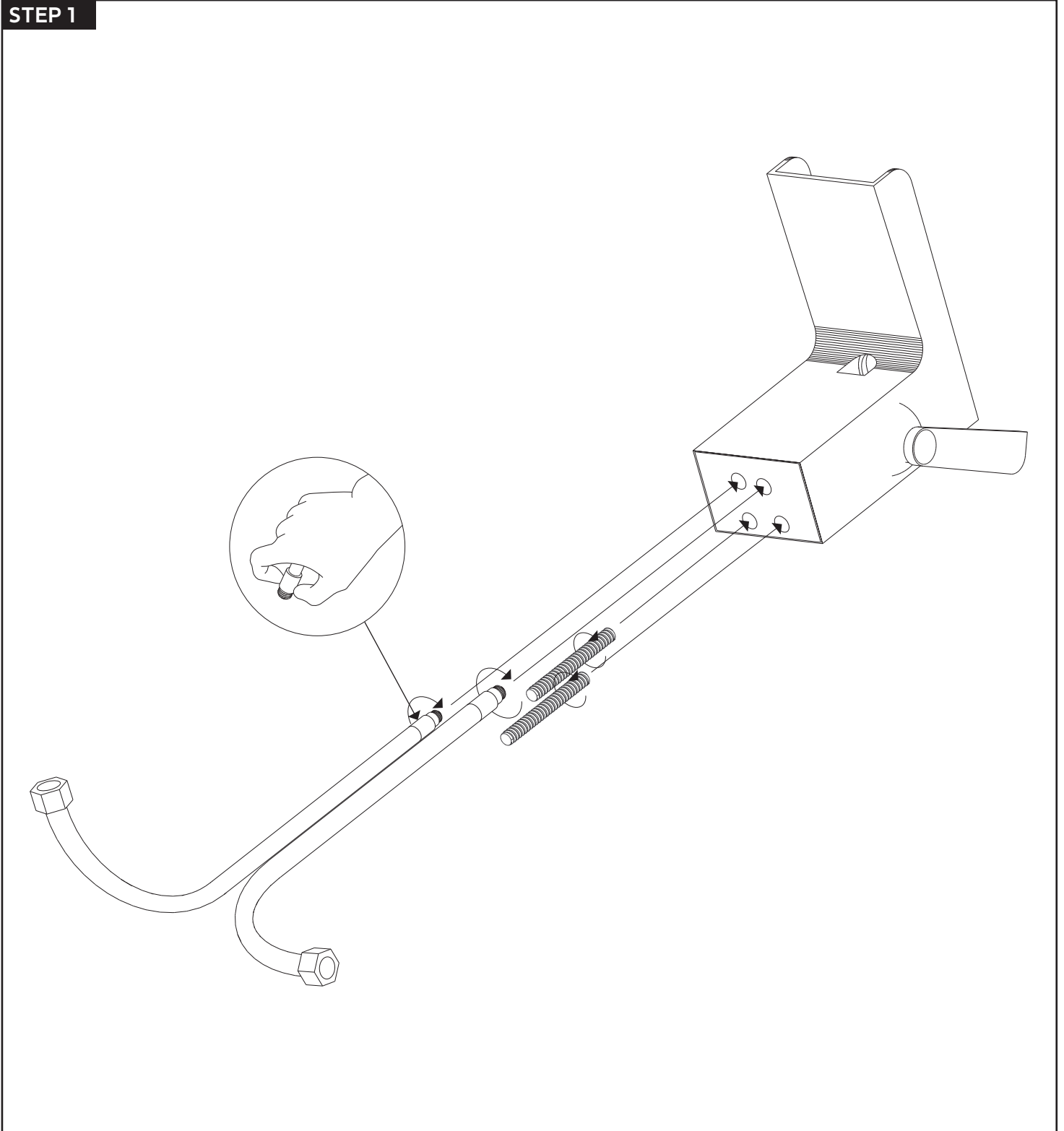


artos[®]

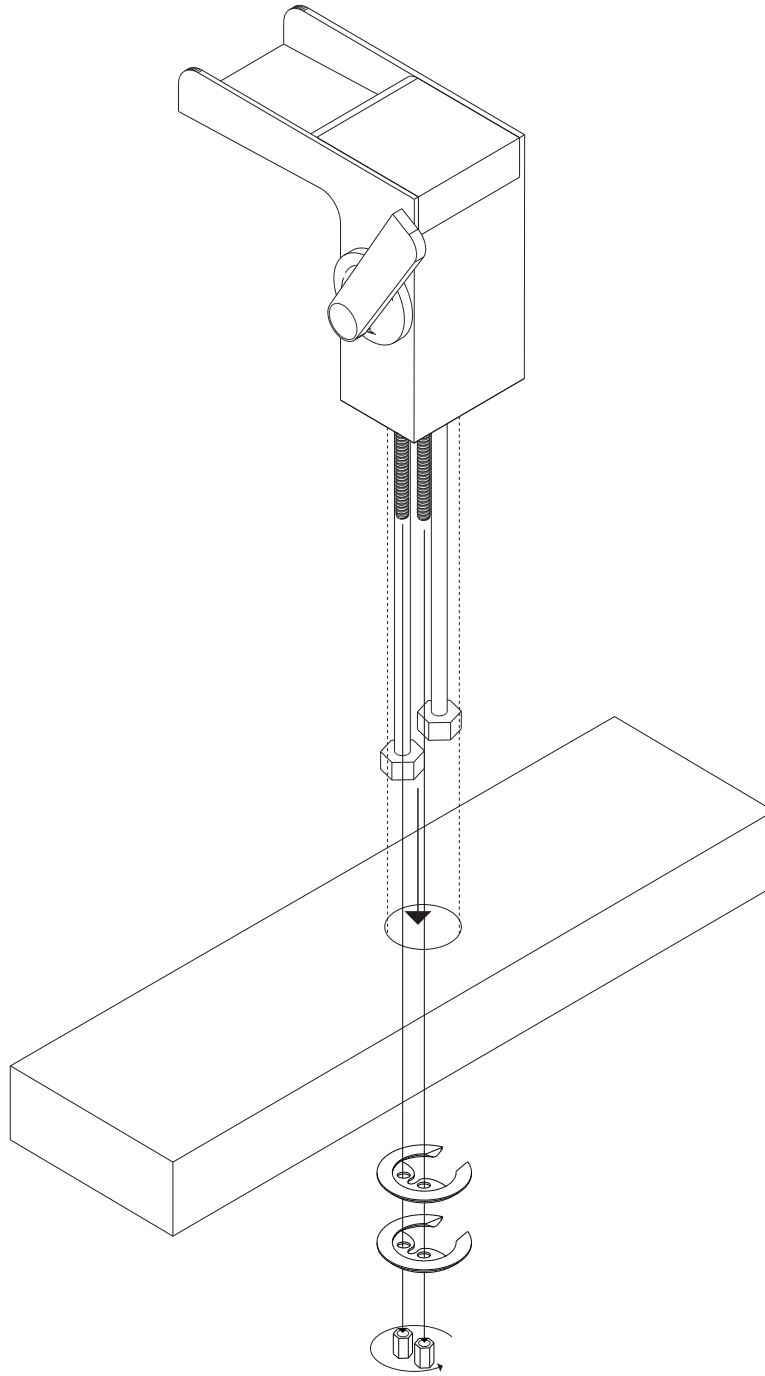
F801-1

kascade lav faucet

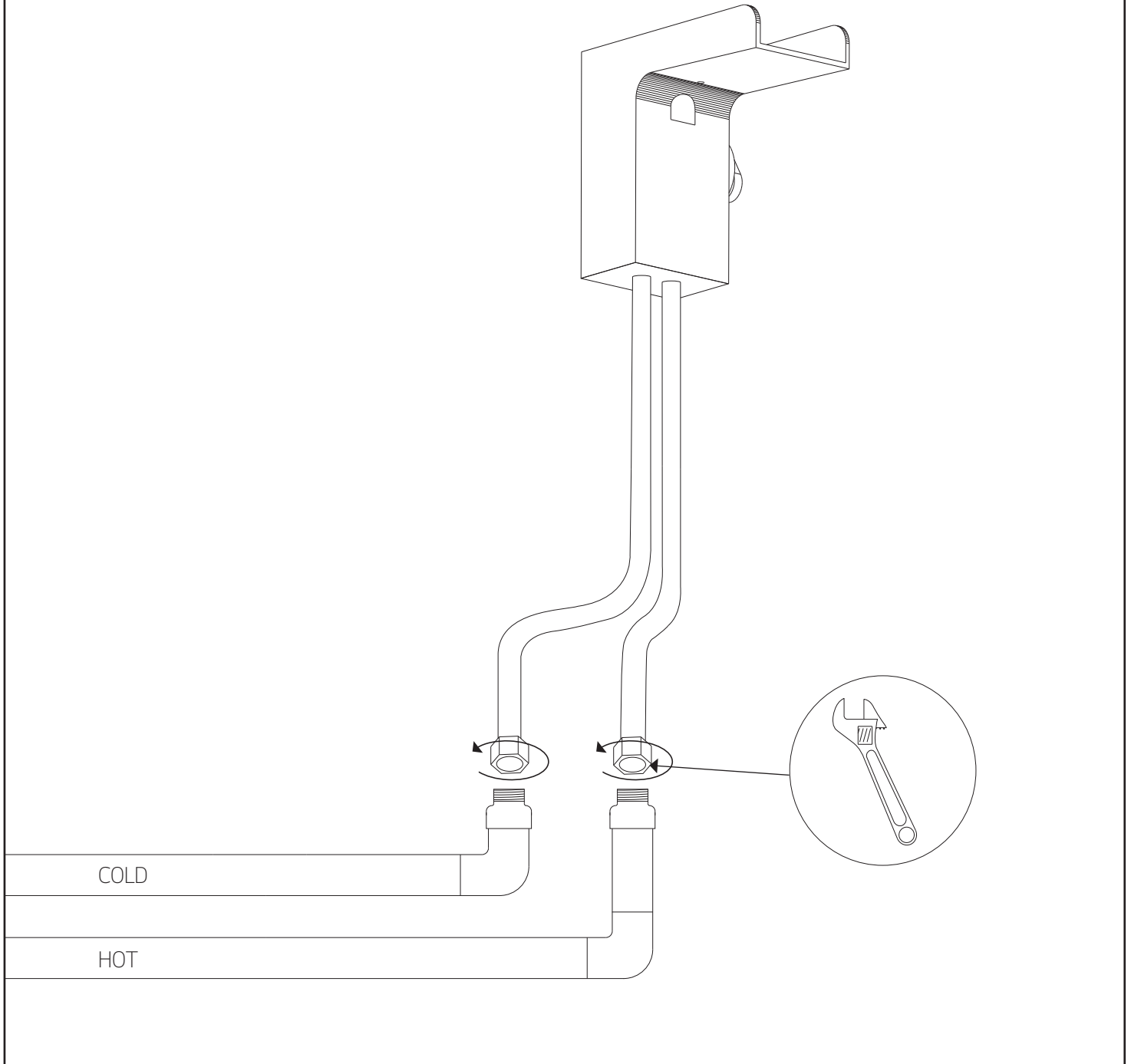
STEP 1



STEP 2

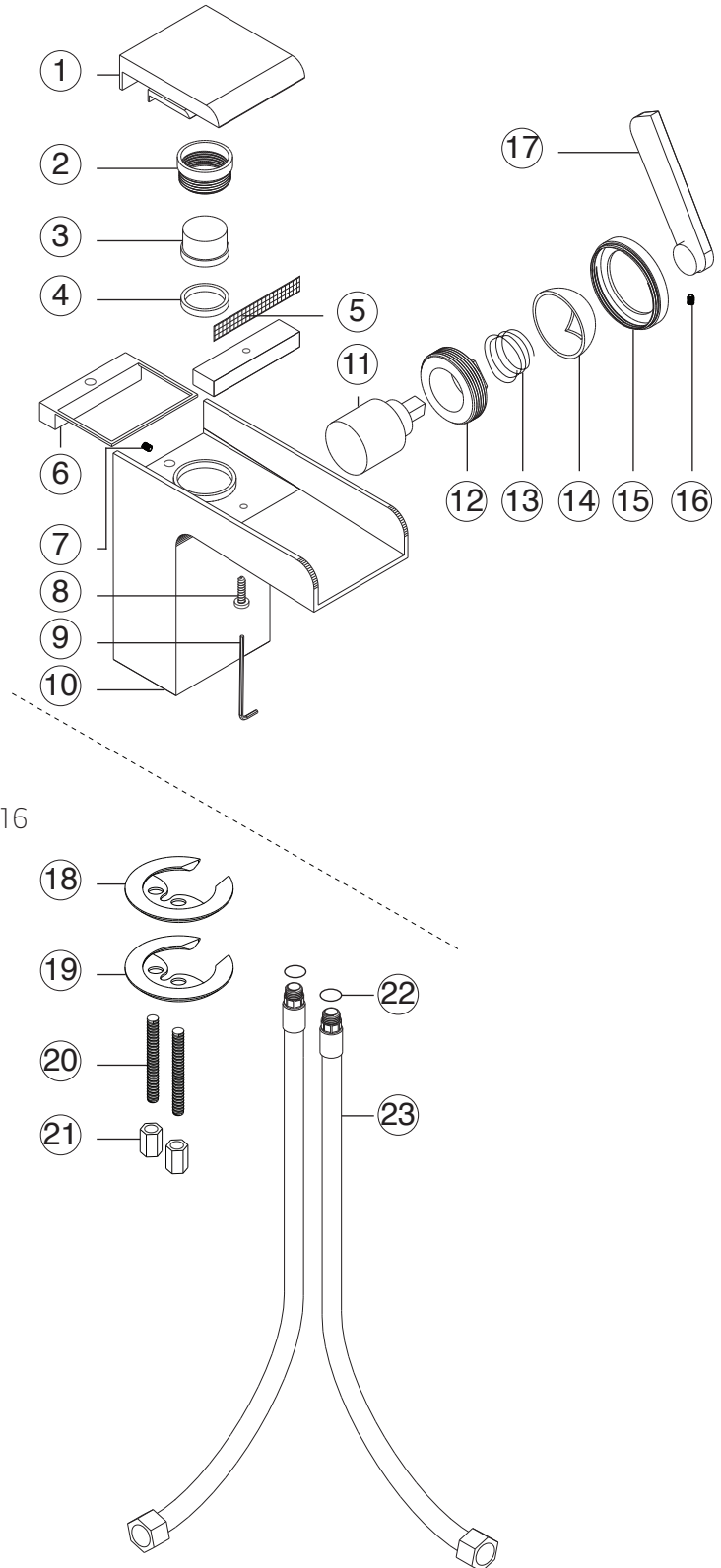


STEP 3



kascade lav faucet

- ① **TOP COVER** F801-1 XP1
- ② **AERATOR** F801-1 XP2
- ③ **FLOW RESTRICTOR** F801-1 XP3
- ④ **WASHER** F801-1 XP4
- ⑤ **SPLITTER** F801-1 XP5
- ⑥ **TOP COVER GASKET** F801-1 XP6
- ⑦ **TOP COVER SET SCREW** F801-1 XP7
- ⑧ **UNDER SPOUT SET SCREW** F801-1 XP8
- ⑨ **ALLEN WRENCH** F801-1 XP9
- ⑩ **FAUCET BODY** F801-1 XP10
- ⑪ **CARTRIDGE** F801-1 XP11
- ⑫ **CARTRIDGE SECURING NUT** F801-1 XP12
- ⑬ **SPRING** F801-1 XP13
- ⑭ **BEZEL** F801-1 XP14
- ⑮ **BEZEL SECURING RING** F801-1 XP15
- ⑯ **HANDLE SET SCREW(PHILLIPS HEAD)** F801-1 XP16
- ⑰ **HANDLE** F801-1 XP17
- ⑱ **RUBBER MOUNTING FLANGE** F801-1 XP18
- ⑲ **METAL MOUNTING FLANGE** F801-1 XP19
- ⑳ **STAY BAR(2)** F801-1 XP20
- ㉑ **FLANGE SECURING NUT(2)** F801-1 XP21
- ㉒ **SUPPLY HOSE O-RING** F801-1 XP22
- ㉓ **SUPPLY HOSE(2)** F801-1 XP23



For best results, keep the following in mind to retain the high quality finish of your artos® faucets:

- Use a soft, dampened sponge or cloth. On no account should you use an abrasive material such as a brush, scouring pad or steel wool to clean surfaces.
- Test your cleaning agent solution on an inconspicuous area before applying to the entire faucet.
- Wipe surfaces clean and rinse completely with water immediately after applying cleaning agent.
- An ideal cleaning technique is to rinse faucet thoroughly and blot dry any water from the surface after each use.

LIMITED LIFETIME WARRANTY

UWR/LPLWHG/LIHWLPH:DUUDW

UWRIDXFHWKDEHHPDXIDFWXUHGXGHUWKHKLKHWTXDOLWDGPDXIDFWXULWDGDUGUWR
IDXFHWDUHXDUDWHHGIRUOLIHDDLWOHDNDGPDXIDFWXULGHIHFWIRUDORDWKHRULLDO
FRXPHUSXUFKDHURLW7KLDUUDWDSSOLHWRLWDOODWLRWLK86DDGDDG0HLFR
TRUWKPHULFDRPPHUFLO,GXWULDORUEXLHXDHUUDUUDWHGIRUDSHULRGRIRHHDIURP
WKHRULLDOGDWHRISXUFKDH

7KLDUUDWLRWUDIHUDEOHDGSSOLHHFOXLHOWRWKHRULLDORHURUHGXHU ,IDGHIHFWL
IRXGGXULRUPDOXHURLOODWLWHOFWLRUHSDLUUHSODFHRUPDNHDDSSURSULDWHDGMXWPHW
DPDHFDXHGEDFFLGHWPLXHDEXHLPURSUSHULWDOODWLRRUUDOWHWDWLRLOORLGWKHDUUDW
7KLDUUDWGRHRWFRHUUHSODFHPHWSDUWKHUHGDPDHLFDXHGGERUPDOHDUDGWHDU
/DERUFKDUHLWDOODWLRURRWKHULFLGHWDORUFRHTXHWLDOFRWLOORWEHFRHUHG

5HSODFHPHWSDUWWKDWTXDOLIIRUDUUDWUHSDLUFDEHREWDLHGFEFRWDFWLUWRDW
5726RUEHPDLODWLIRDURXFRP3URRIRISXUFKDHURULLDODOHUHFHLSWIUR PWKH
RULLDOFRXPHUSXUFKDHUPXWDFRPSDDOODUUDWFODLP:KHXEPLWWLRXUFODLP L
ULWLSOHDHSURLGHRXUDPHDGGUHDGWHOHKSRHXPEHU

3 0 H D H U H L W H U W K L W R U G X F D W : : : 5 7 2 6 8 6 2 0

, W H P 1 R F , 0 1 - 1
G e f] U ^ ^ B c :