

# artos<sup>®</sup>

## F801-3

## INSTALLATION GUIDE

kascade vessel lav faucet  
high

BRUSHED NICKEL(BN)



CHROME(CH)



# artos<sup>®</sup>

F801-3

## OPERATING SPECIFICATIONS

kascade vessel lav faucet  
high



### OPERATING PRESSURE

Minimum: 15 psi

Maximum: 75 psi

90psi+ may be necessary to install a pressure reducer

### OPERATING TEMPERATURE

Maximum: 176°

### FLOW RATE

1.2 USGPM

### REQUIREMENTS

Max Surface Thickness: 1-5/8"

### APPROVALS

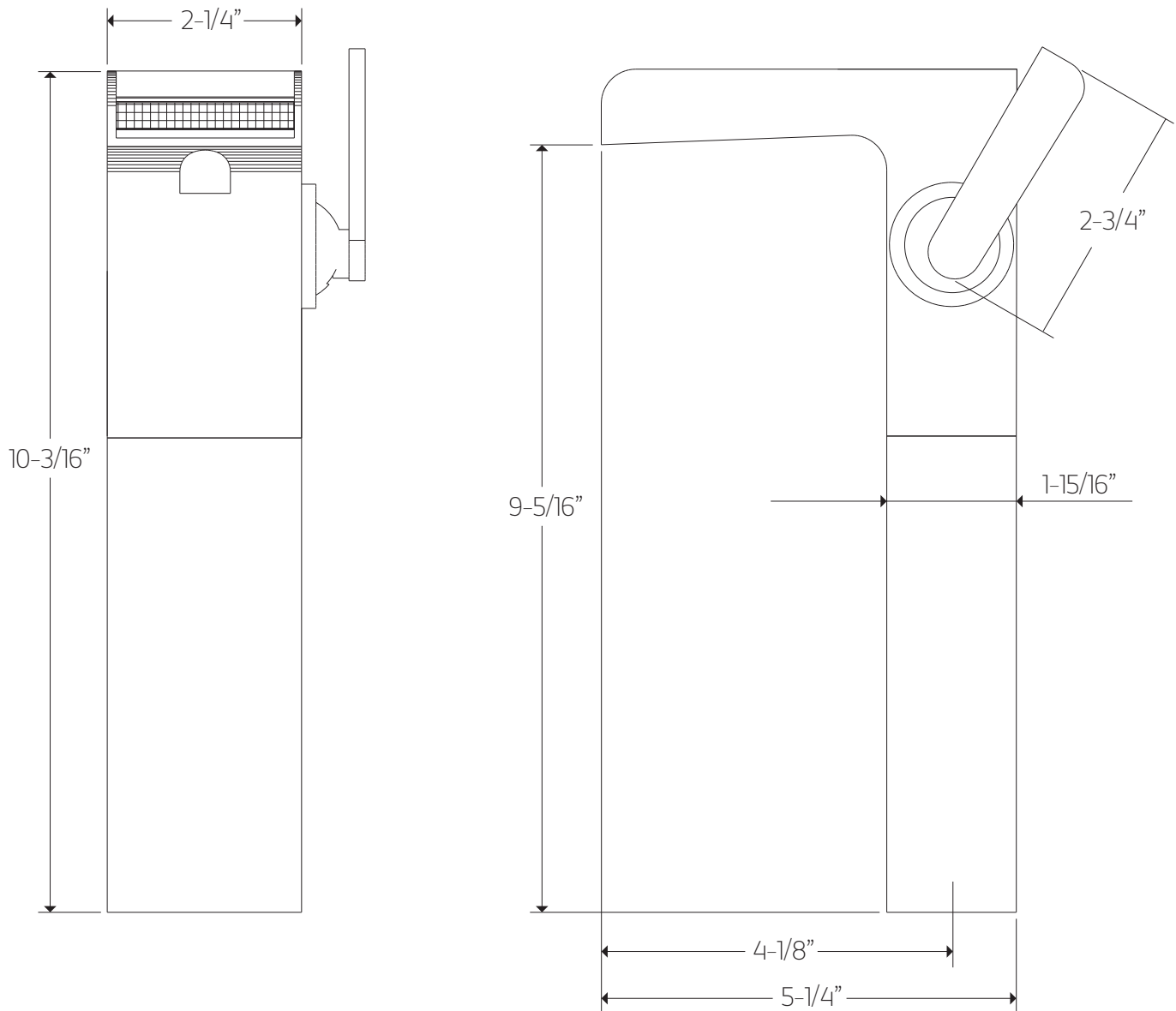


# artos<sup>®</sup>

## F801-3

## PRODUCT DIMENSIONS

kascade vessel lav faucet  
high

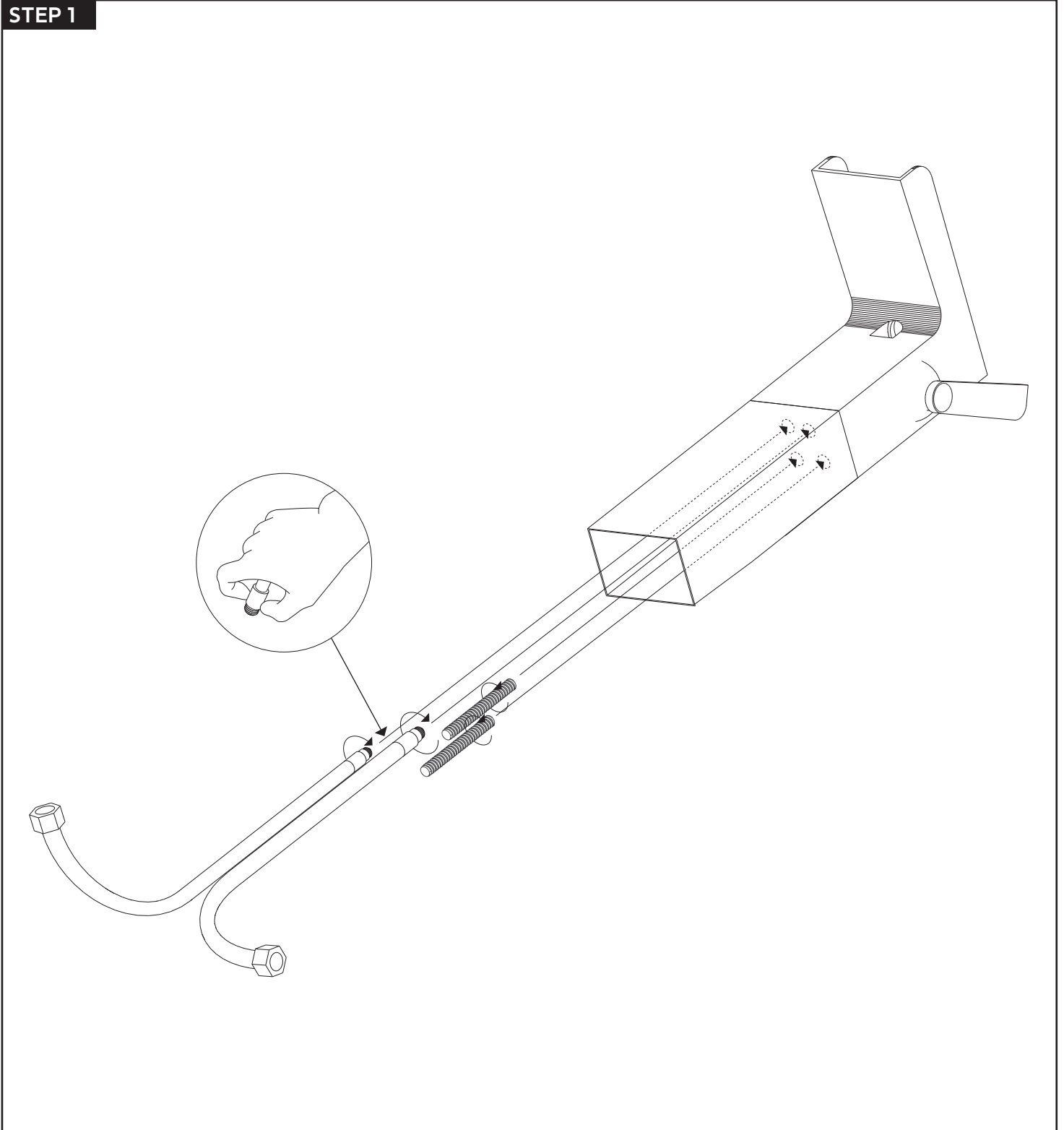


# artos<sup>®</sup>

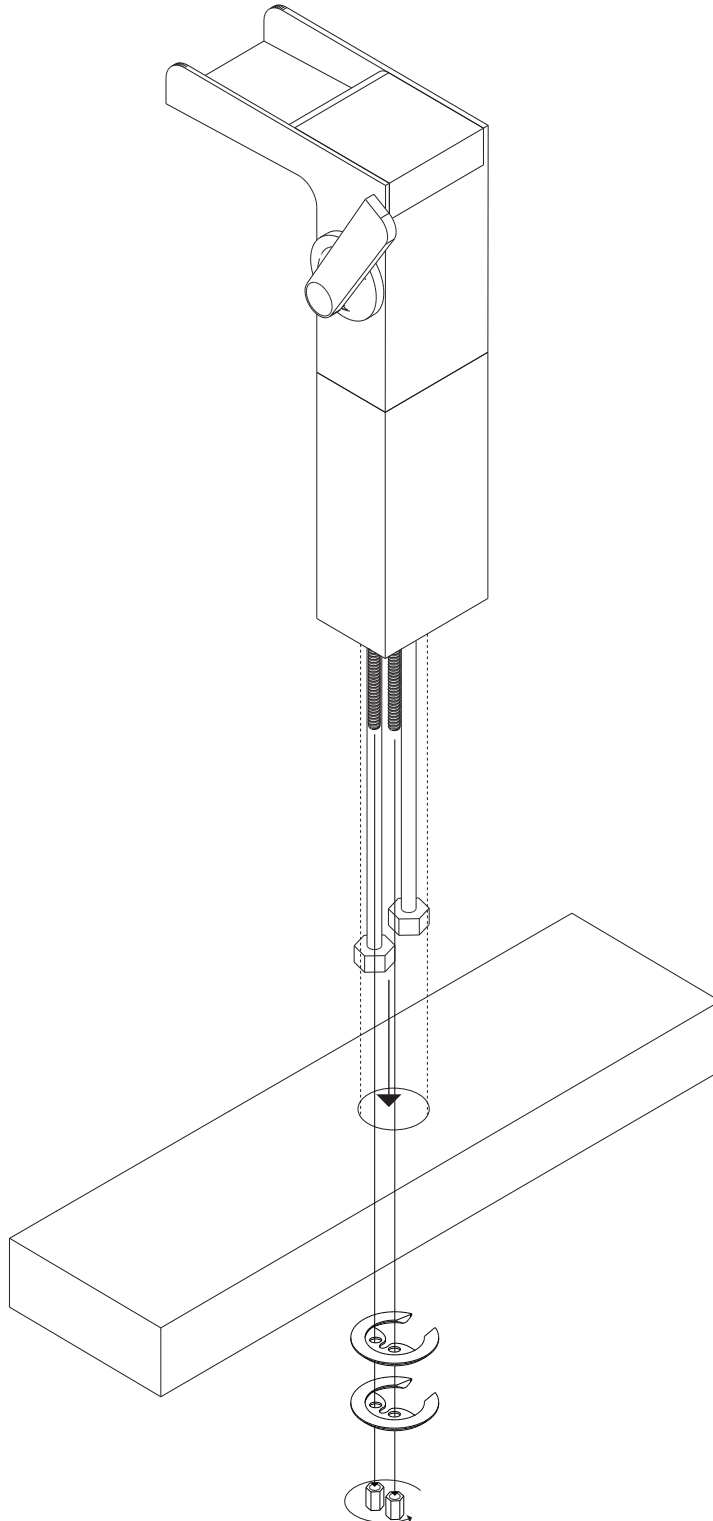
## F801-3

kascade vessel lav faucet  
high

**STEP 1**



### STEP 2



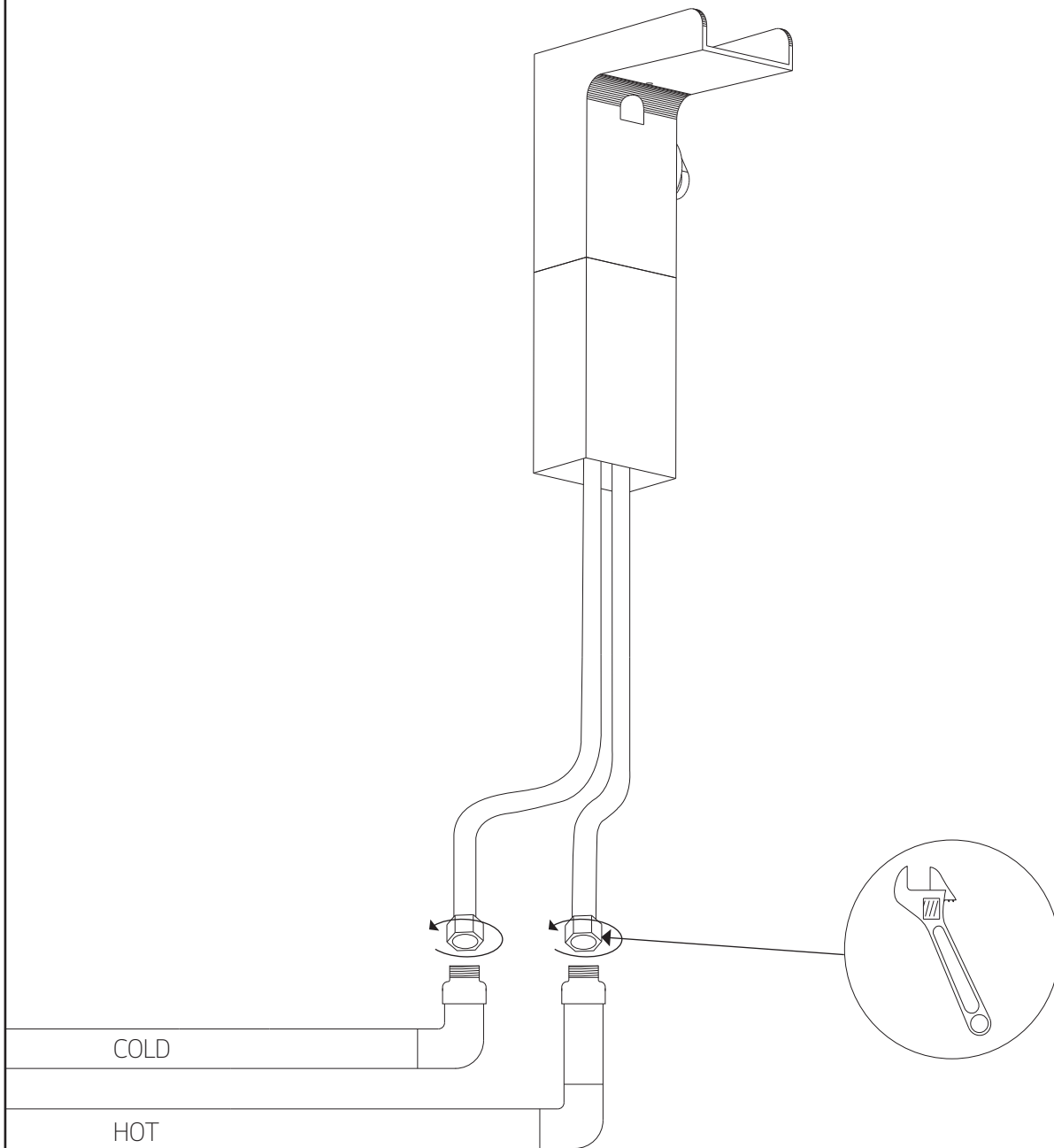
# artos<sup>®</sup>

## F801-3

## INSTALLATION STEPS

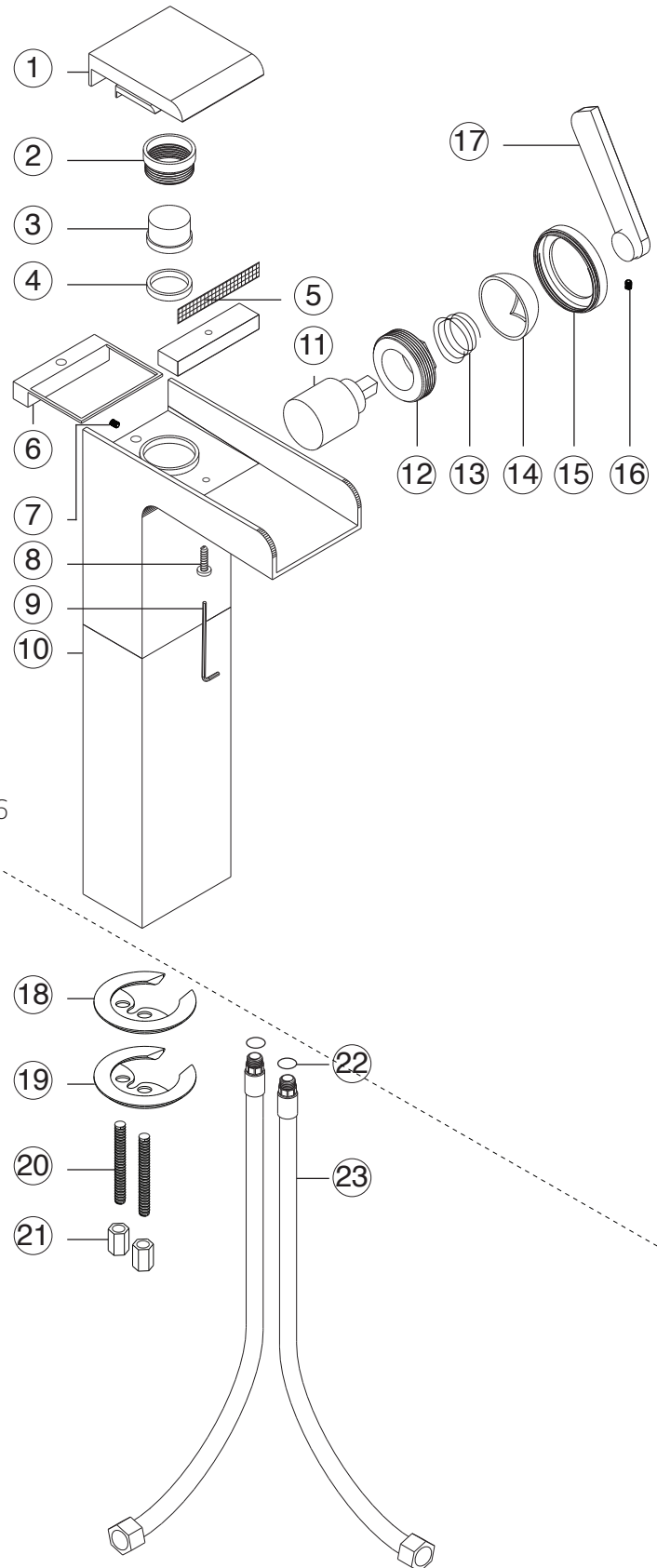
kascade vessel lav faucet  
high

### STEP 3



kascade vessel lav faucet  
high

- ① **TOP COVER** F801-3 XP1
- ② **AERATOR** F801-3 XP2
- ③ **FLOW RESTRICTOR** F801-3 XP3
- ④ **WASHER** F801-3 XP4
- ⑤ **SPLITTER** F801-3 XP5
- ⑥ **TOP COVER GASKET** F801-3 XP6
- ⑦ **TOP COVER SET SCREW** F801-3 XP7
- ⑧ **UNDER SPOUT SET SCREW** F801-3 XP8
- ⑨ **ALLEN WRENCH** F801-3 XP9
- ⑩ **FAUCET BODY** F801-3 XP10
- ⑪ **CARTRIDGE** F801-3 XP11
- ⑫ **CARTRIDGE SECURING NUT** F801-3 XP12
- ⑬ **SPRING** F801-3 XP13
- ⑭ **BEZEL** F801-3 XP14
- ⑮ **BEZEL SECURING RING** F801-3 XP15
- ⑯ **HANDLE SET SCREW(PHILLIPS HEAD)** F801-3 XP16
- ⑰ **HANDLE** F801-3 XP17
- ⑱ **RUBBER MOUNTING FLANGE** F801-3 XP18
- ⑲ **METAL MOUNTING FLANGE** F801-3 XP19
- ⑳ **STAY BAR(2)** F801-3 XP20
- ㉑ **FLANGE SECURING NUT(2)** F801-3 XP21
- ㉒ **SUPPLY HOSE O-RING** F801-3 XP22
- ㉓ **SUPPLY HOSE(2)** F801-3 XP23



kascade vessel lav faucet  
high

For best results, keep the following in mind to retain the high quality finish of your artos® faucets:

- Use a soft, dampened sponge or cloth. On no account should you use an abrasive material such as a brush, scouring pad or steel wool to clean surfaces.
- Test your cleaning agent solution on an inconspicuous area before applying to the entire faucet.
- Wipe surfaces clean and rinse completely with water immediately after applying cleaning agent.
- An ideal cleaning technique is to rinse faucet thoroughly and blot dry any water from the surface after each use.

### LIMITED LIFETIME WARRANTY

UWR/LPLWHG/LIHWLPH:DUUDW

UWRIDXFHWKDEHHPDXIDFWXUHGXGHUWKHKLKHWTXDOLWDGPDXIDFWXULWDGDUGUWR  
IDXFHWDUHXDUDWHHGIRUOLIHDDLWOHDNDGPDXIDFWXULGHIHFWIRUDORDWKHRULLDO  
FRXPHUSXUFKDHURLW7KLDUUDWDSSOLHWRLWDOODWLRWLK86DDGDDG0HLFR  
TRUWKPHULFDRPPHUFLO,GXWULDORUEXLHXDHUUDUUDWHGIRUDSHULRGRIRHHDIURP  
WKHRULLDOGDWHRISXUFKDH

7KLDUUDWLRWUDIHUDEOHDGSSOLHHFOXLHOWRWKHRULLDORHURUHGXHU ,IDGHIHFWL  
IRXGGXULRUPDOXHUWRLOODWLWHOFWLRUHSDLUUHSODFHRUPDNHDDSSURSULDWHDGMXWPHW  
DPDHFDXHGEDFFLGHWPLXHDEXHLPURSUSHULWDOODWLRRUUDOWHWDWLRLOORLGWKHDUUDW  
7KLDUUDWGRHRWFRHUUHSODFHPHWSDUWKHUHGDPDHLFDXHGGERUPDOHDUDGWHDU  
/DERUFKDUHLWDOODWLRURRWKHULFLGHWDORUFRHTXHWLDOFRWLOORWEHFRHUHG

5HSODFHPHWSDUWWKDWTXDOLIIRUDUUDWUHSDLUFDEHREWDLHGFEFRWDFWLUWRDW  
5726RUEHPDLODWLIRDURXFRP3URRIRISXUFKDHURULLDODOHUHFHLSWIUR PWKH  
RULLDOFRXPHUSXUFKDHUPXWDFFRPSDDOODUUDWFODLP:KHXEPLWWLRXUFODLP L  
ULWLSOHDHSURLGHRXUDPHDGGUHDGWHOHOSKRHXPEHU

3 0 H D H U H L W H U W K L W R U G X F D W : : : 5 7 2 6 8 6 2 0

, W H P 1 R F , 0 1 - ' '   
G e f ] U ' ' B c :