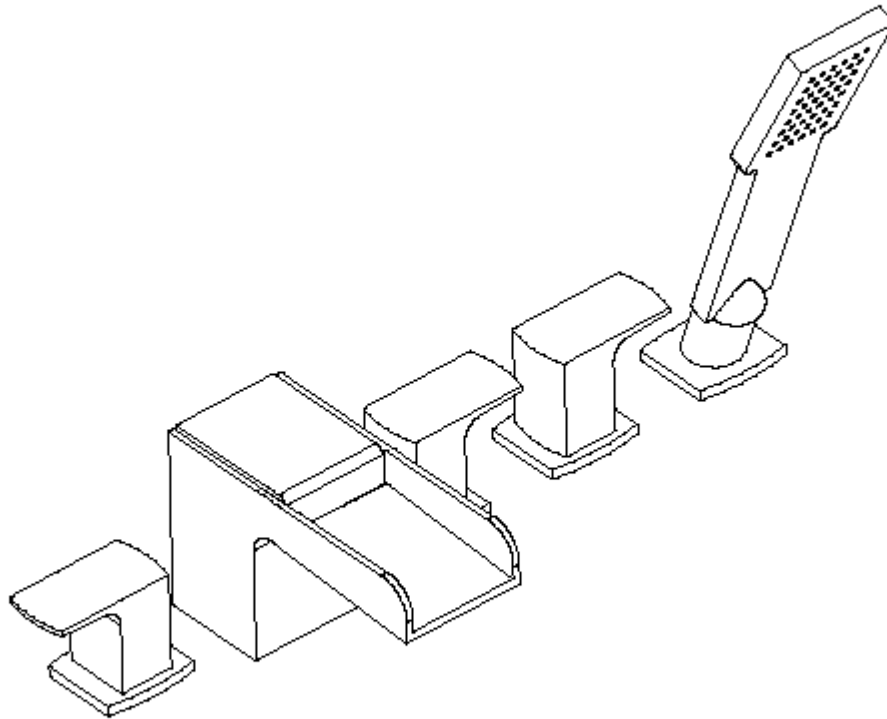


www.artos-westover.com

Installation Guide

5 HOLE DECK MOUNT TUB FILLER

F802-4

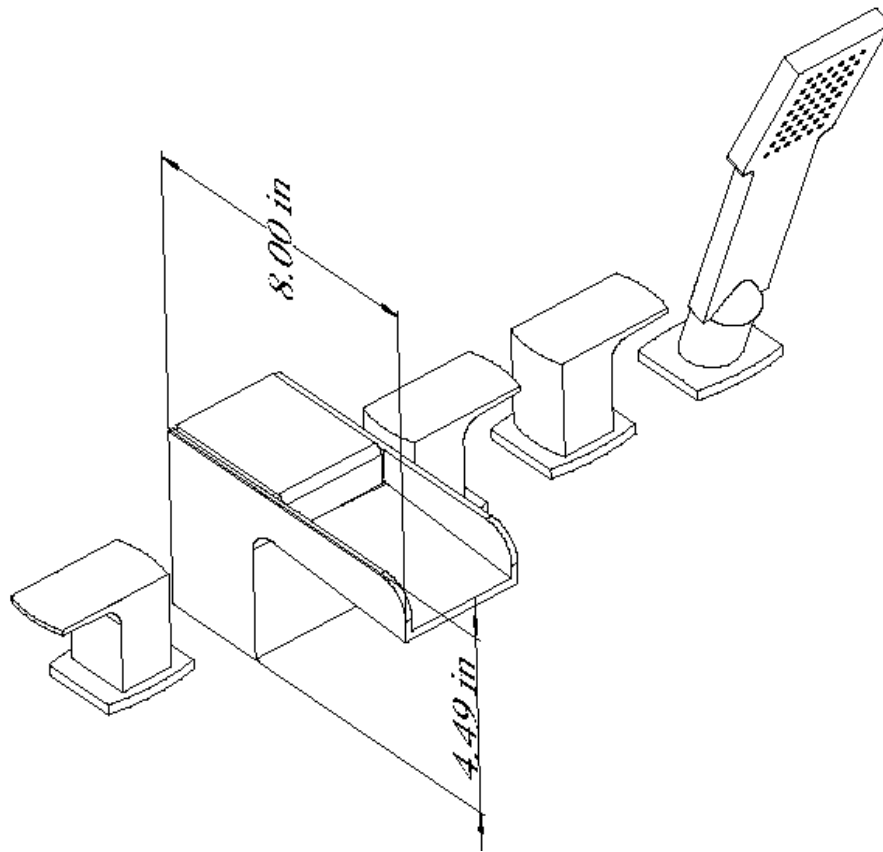


80240411

This publication is for illustrative purposes only and we reserve the right to change details at anytime as deemed necessary.

Fig A

DIMENSIONS

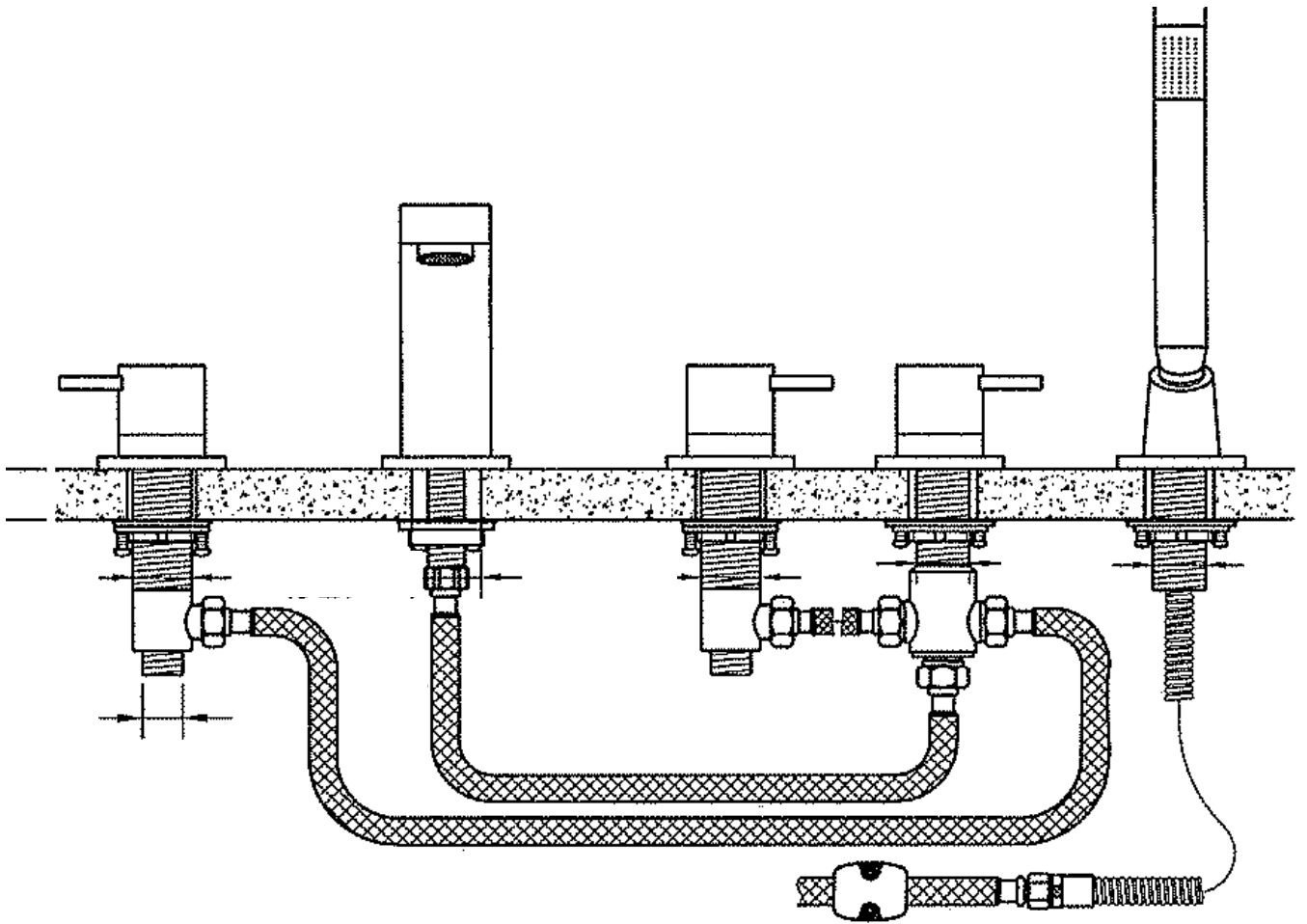


SPECIFICATIONS AND STANDARDS

- Recommended flow pressure between 15 and 75 psi. Above 90 psi it may be necessary to install a pressure reducer. Maximum operating temperature 176°F

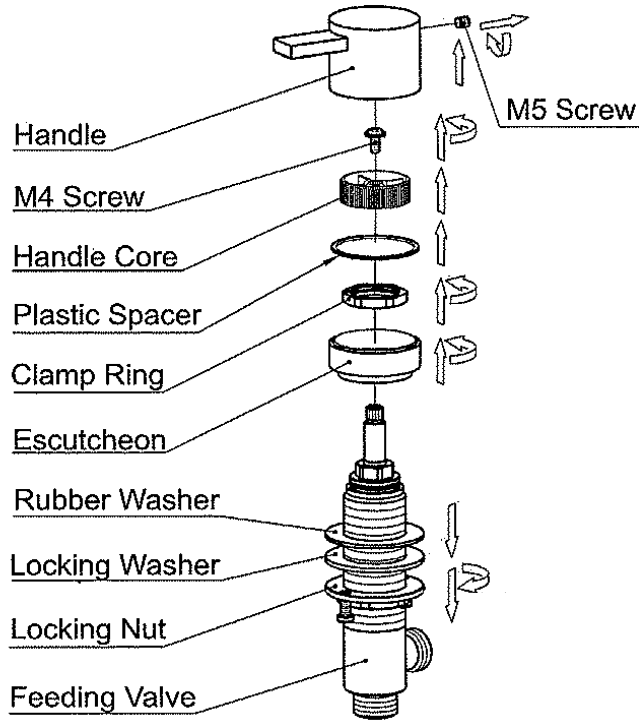
INSTALLATION STEPS

PLEASE NOTE - THE FOLLOWING DIAGRAMS ARE FOR ILLUSTRATIVE PURPOSES AND THE HANDLE STYLE MAY VARY FROM ACTUAL



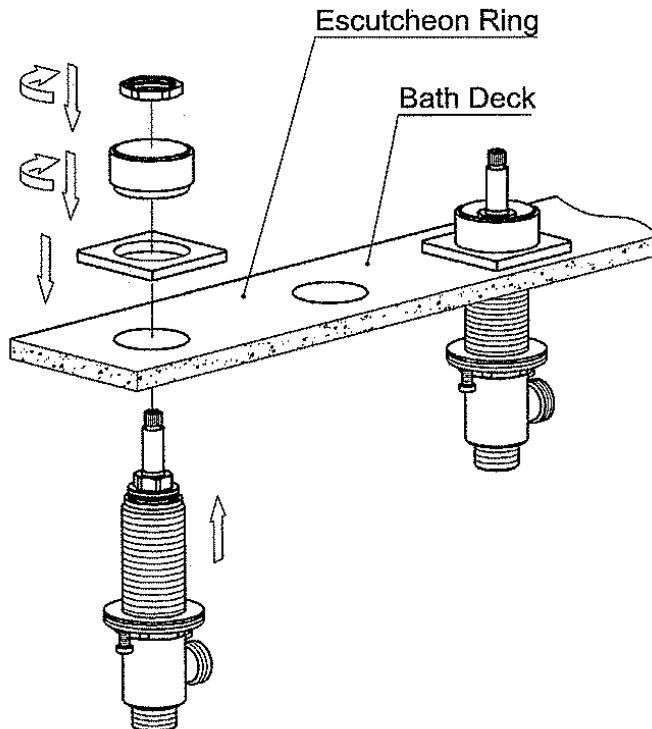
INSTALLATION STEPS

1



Loosen the M5 screw. Remove the hand wheel, M4 screw, handle core, plastic spacer, clamp ring and escutcheon from the two feeding valves by turning. Screw the locking nut to the bottom.

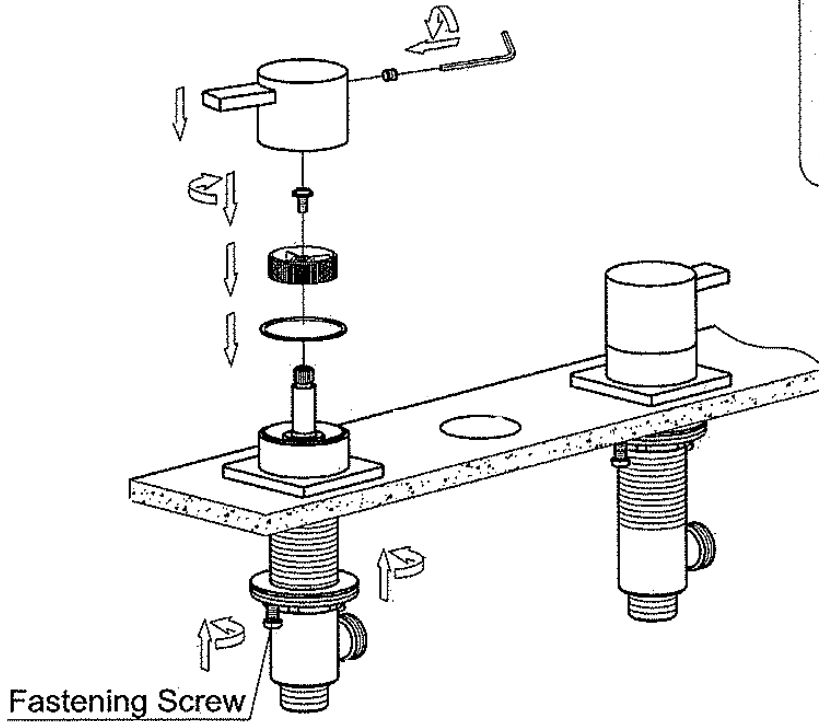
2



Place the feeding valves upward through the bath deck holes and keep the outlets towards right. Put on the escutcheon ring and screw the escutcheon. Then tighten them with clamp ring.

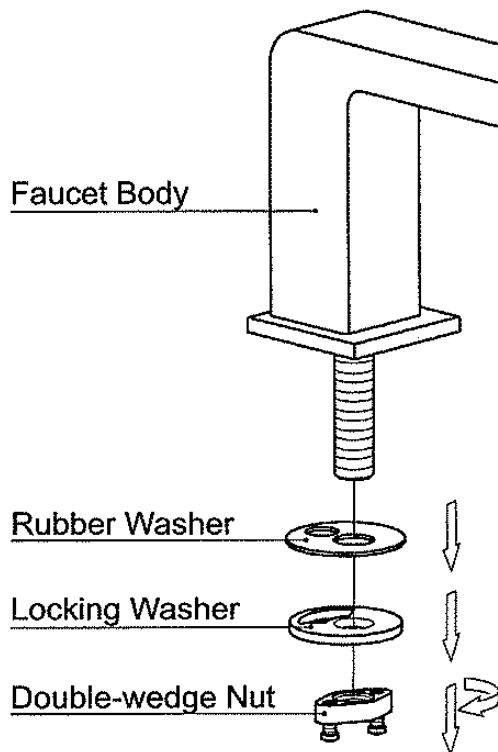
INSTALLATION STEPS

3



Screw the locking nut and fastening screw on the valve body tightly. Then reassemble the plastic spacer, handle core, M4 screw and hand wheel (H left and C right). Tighten the M5 screw.

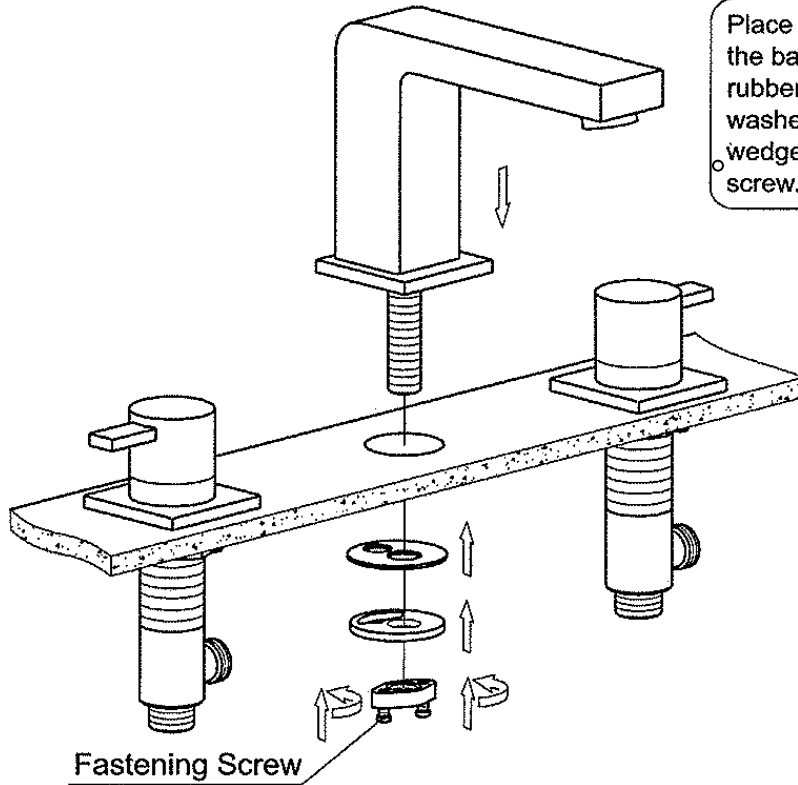
4



Remove the double-wedge nut, locking washer and rubber washer from the faucet body.

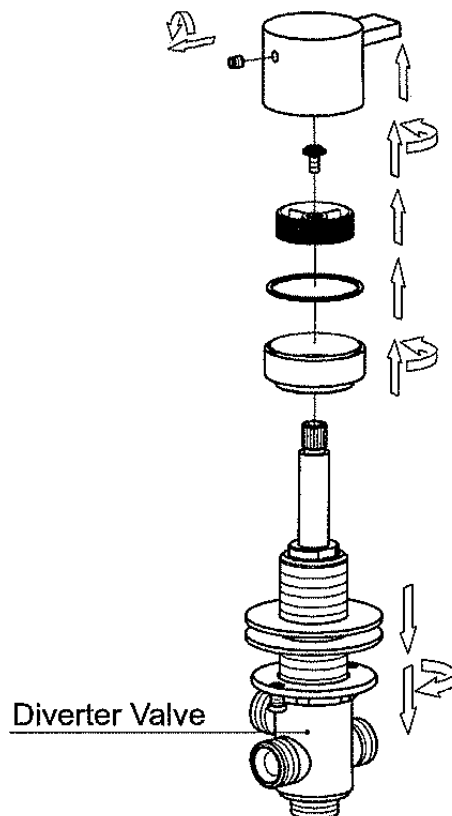
INSTALLATION STEPS

5



Place the faucet body through the bath deck hole. Put on the rubber washer and locking washer. Tighten the double-wedge nut with fastening screw.

6

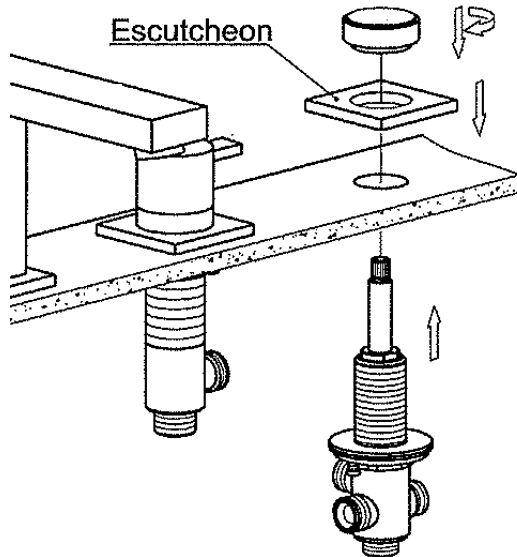


Loosen the M5 screw. Remove the hand wheel, M4 screw, handle core, plastic spacer and escutcheon from the diverter valve by turning. Screw the locking nut to the bottom.

INSTALLATION STEPS

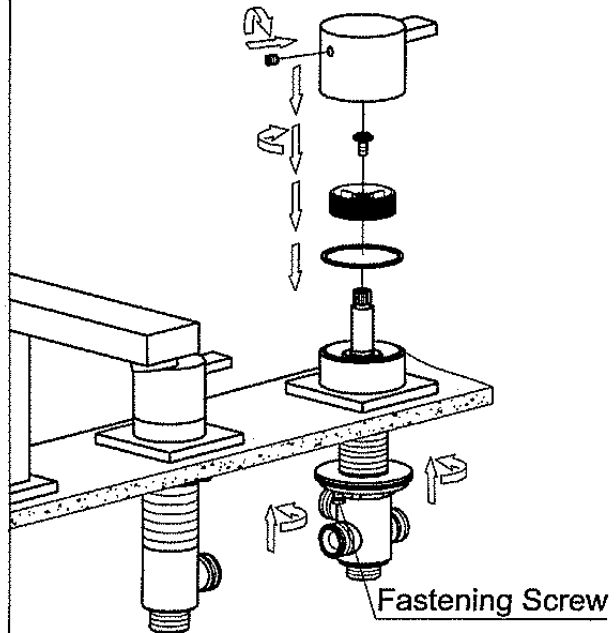
7

Place the diverter valve through the bath deck hole. Put on the escutcheon and tighten it.



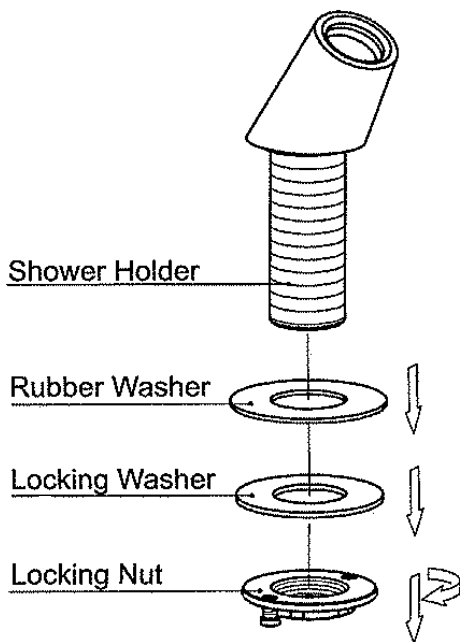
8

Screw the locking nut and fastening screw tightly on the diverter valve. Then reassemble the plastic spacer, handle core, M4 screw and hand wheel. Tighten the M5 screw.



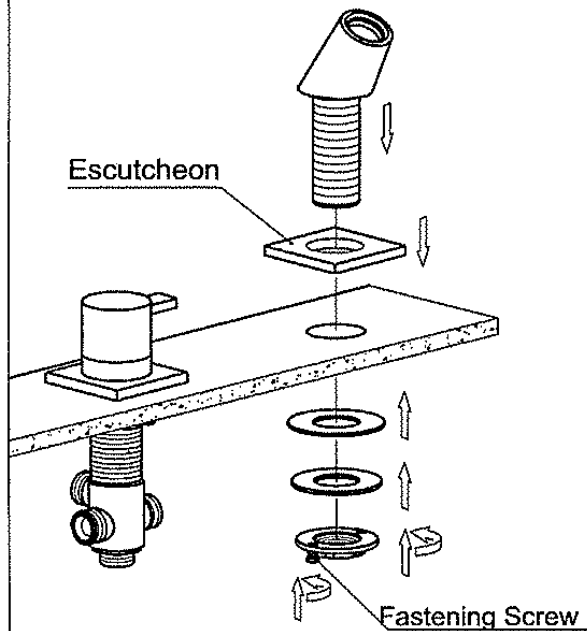
9

Remove the locking nut, locking washer and rubber washer from the shower holder.



10

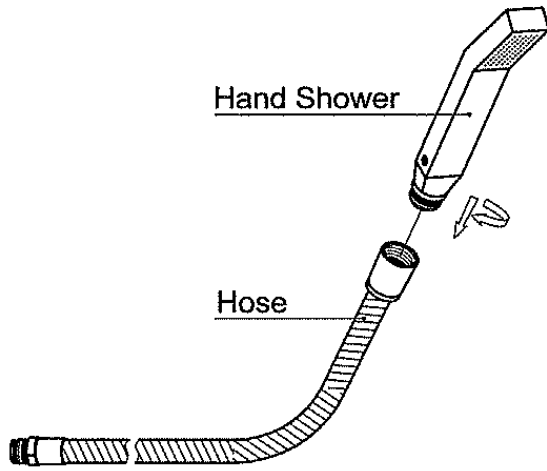
Place the shower holder through the escutcheon and bath deck hole. Put the disassembled parts back one by one. Tighten the locking nut and fastening screw.



INSTALLATION STEPS

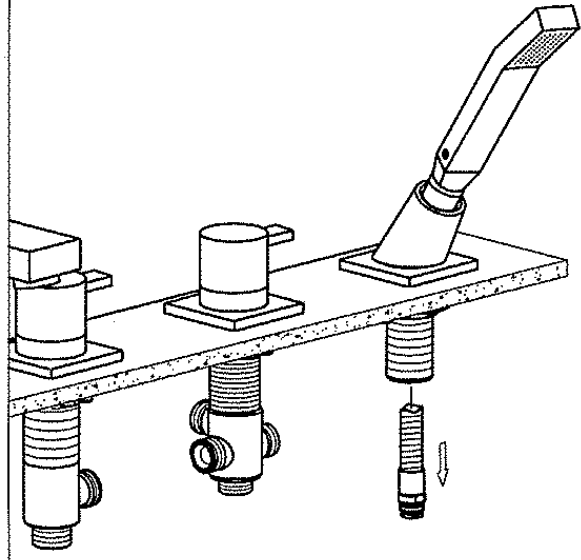
11

Connect the hand shower and hose.



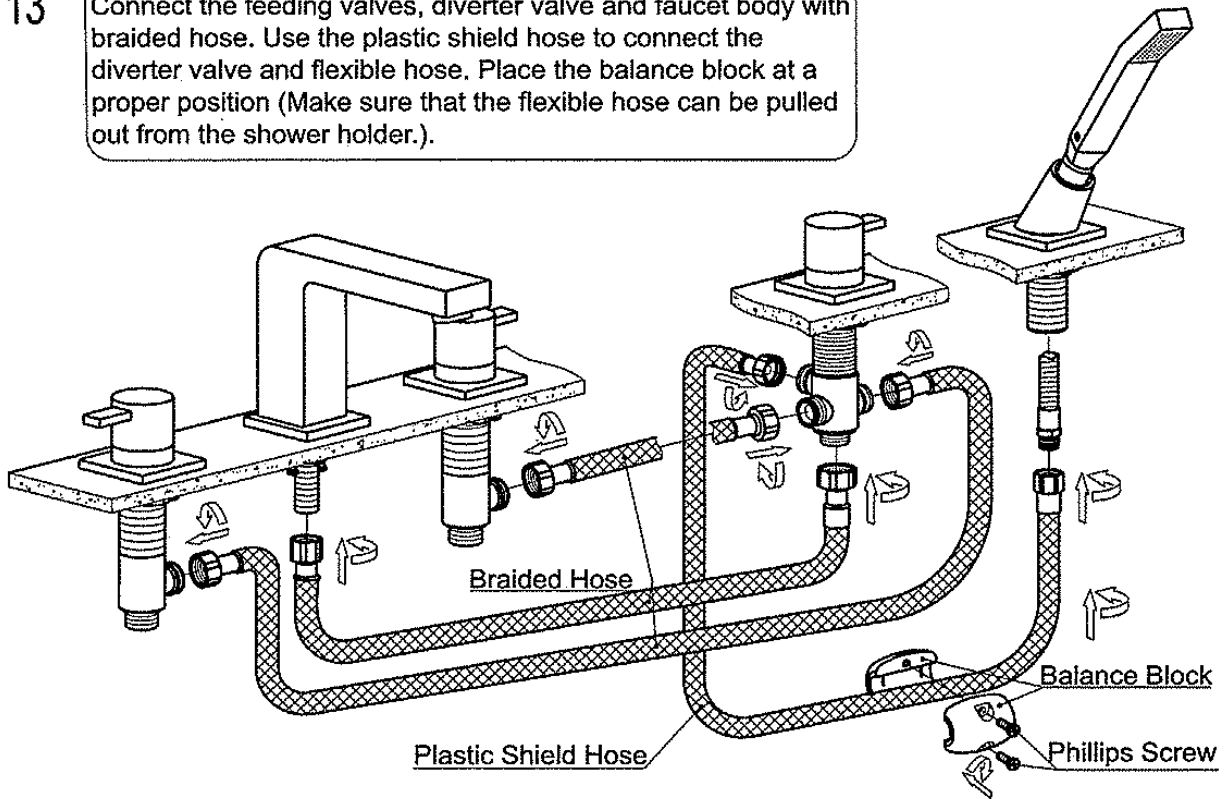
12

Place the hose through the shower holder.



13

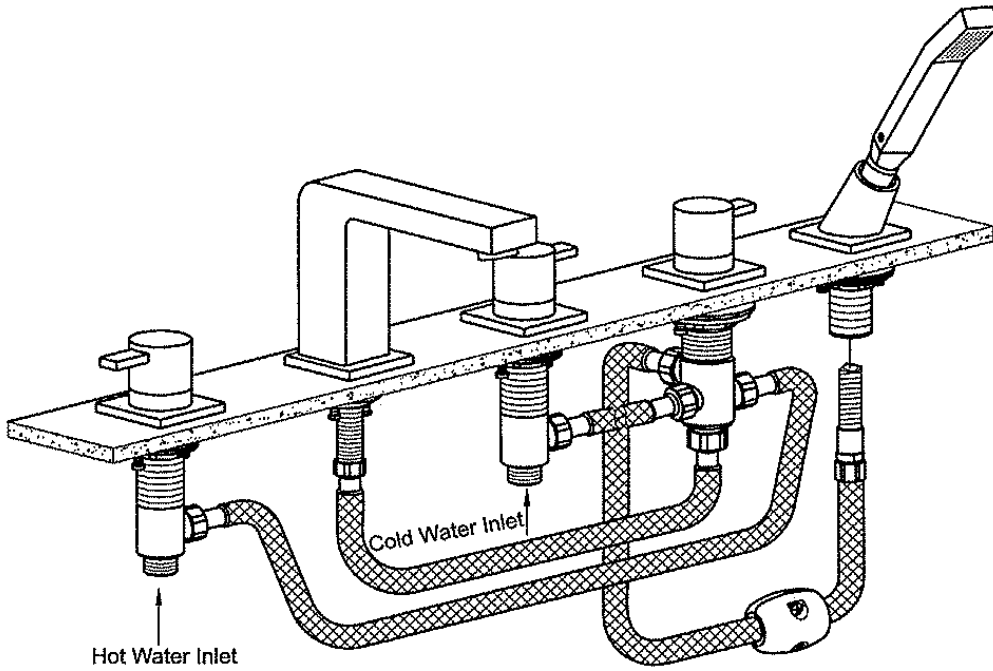
Connect the feeding valves, diverter valve and faucet body with braided hose. Use the plastic shield hose to connect the diverter valve and flexible hose. Place the balance block at a proper position (Make sure that the flexible hose can be pulled out from the shower holder.).



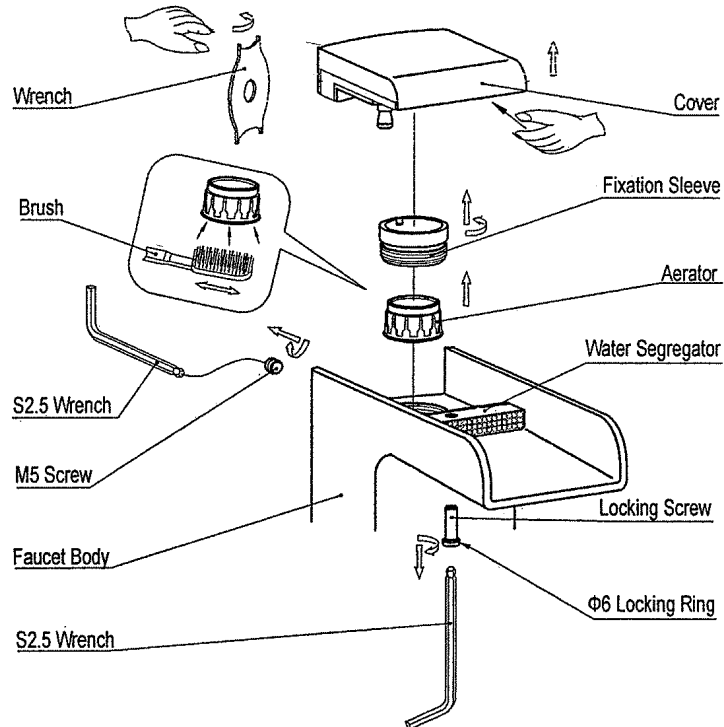
INSTALLATION STEPS

14

Finishing installation and turn on water for inspection.



MAINTENANCE



80240411

CARE & MAINTENANCE

For best results, keep the following in mind to retain the high quality finish of your *ARTOS* faucet:

- Use a soft, dampened sponge or cloth. On no account should you use an abrasive material such as a brush, scouring pad or steel wool to clean surfaces.
- Test your cleaning agent solution on an inconspicuous area before applying to the entire faucet.
- Wipe surfaces clean and rinse completely with water immediately after applying cleaning agent.
- An ideal cleaning technique is to rinse faucet thoroughly and blot dry any water from the surface after each use.

LIMITED LIFETIME WARRANTY

Artos® Limited Lifetime Warranty

Artos® faucets have been manufactured under the highest quality and manufacturing standards. Artos® faucets are guaranteed for life against leaks and manufacturing defects for as long as the original consumer purchaser owns it. This warranty applies to installations in the US, Canada and Mexico (North America). Commercial, Industrial or business uses are warranted for a period of one year from the original date of purchase.

This warranty is non-transferable and applies exclusively to the original owner or end-user. If a defect is found during normal use, Artos® will, at its election, repair, replace or make an appropriate adjustment. Damage caused by accident, misuse, abuse, improper installation or alteration will void the warranty. This warranty does not cover replacement parts where damage is caused by normal wear and tear. Labor charges, installation or other incidental or consequential costs will not be covered.

Replacement parts that qualify for warranty repair can be obtained by contacting Artos® at 1-877-9ARTOS9 or by e-mail at info@artos.us.com. Proof of purchase (original sales receipt) from the original consumer purchaser must accompany all warranty claims. When submitting your claim in writing, please provide your name, address and telephone number.

Please register this product online at WWW.ARTOS.US.COM

Item No : **F 802-4**
Serial No :

80240411