

artos[®]

F907-5

INSTALLATION GUIDE

flexible hose shower kit with
integrated water outlet
round

BRUSHED NICKEL(BN)



CHROME(CH)



artos[®]

F907-5

OPERATING SPECIFICATIONS

flexible hose shower kit with
integrated water outlet
round



FEATURES

Integrated Water Outlet
60" Flexible Hose

OPERATING PRESSURE

Minimum: 15 psi
Maximum: 75 psi
Above 90psi it may be necessary to install a pressure reducer

OPERATING TEMPERATURE

Maximum: 176°

FLOW CAPACITY

2.0 USGPM

INLET/OUTLET

1/2" Female NPT

REQUIREMENTS

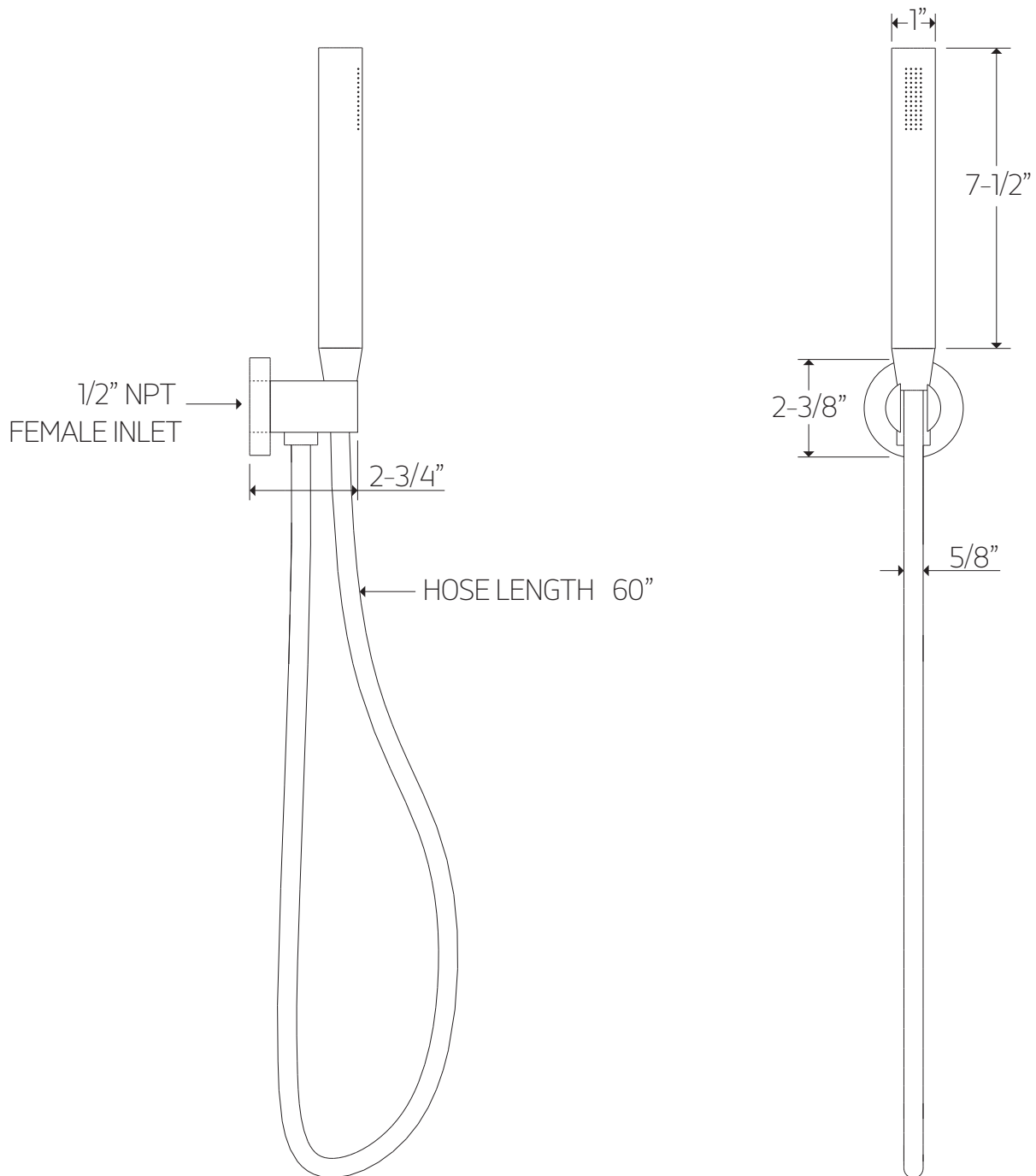
This unit requires a control

artos[®]

F907-5

PRODUCT DIMENSIONS

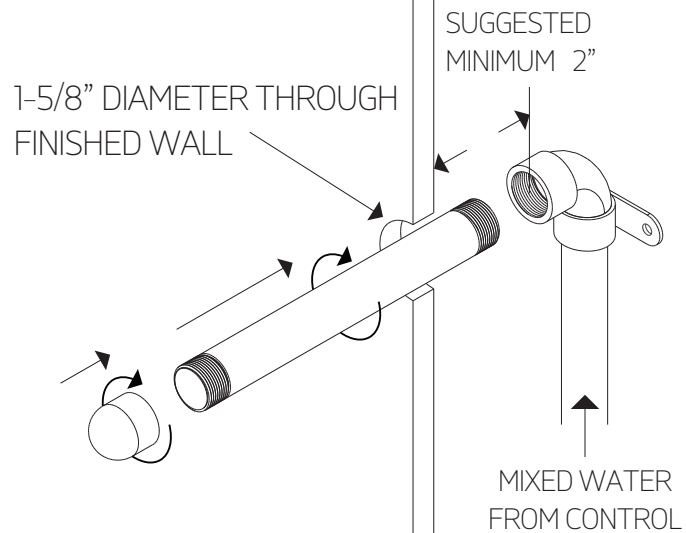
flexible hose shower kit with
integrated water outlet
round



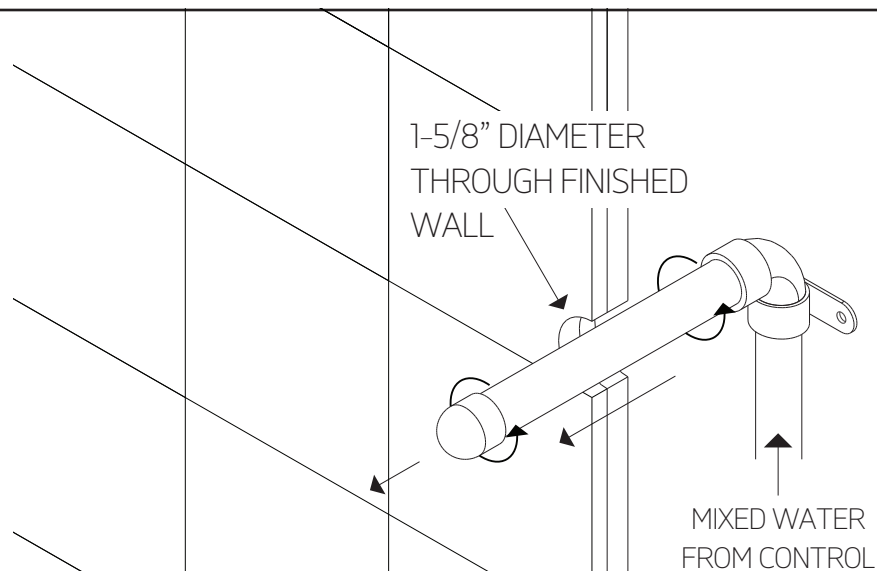
F907-5

flexible hose shower kit with
integrated water outlet
round

STEP 1

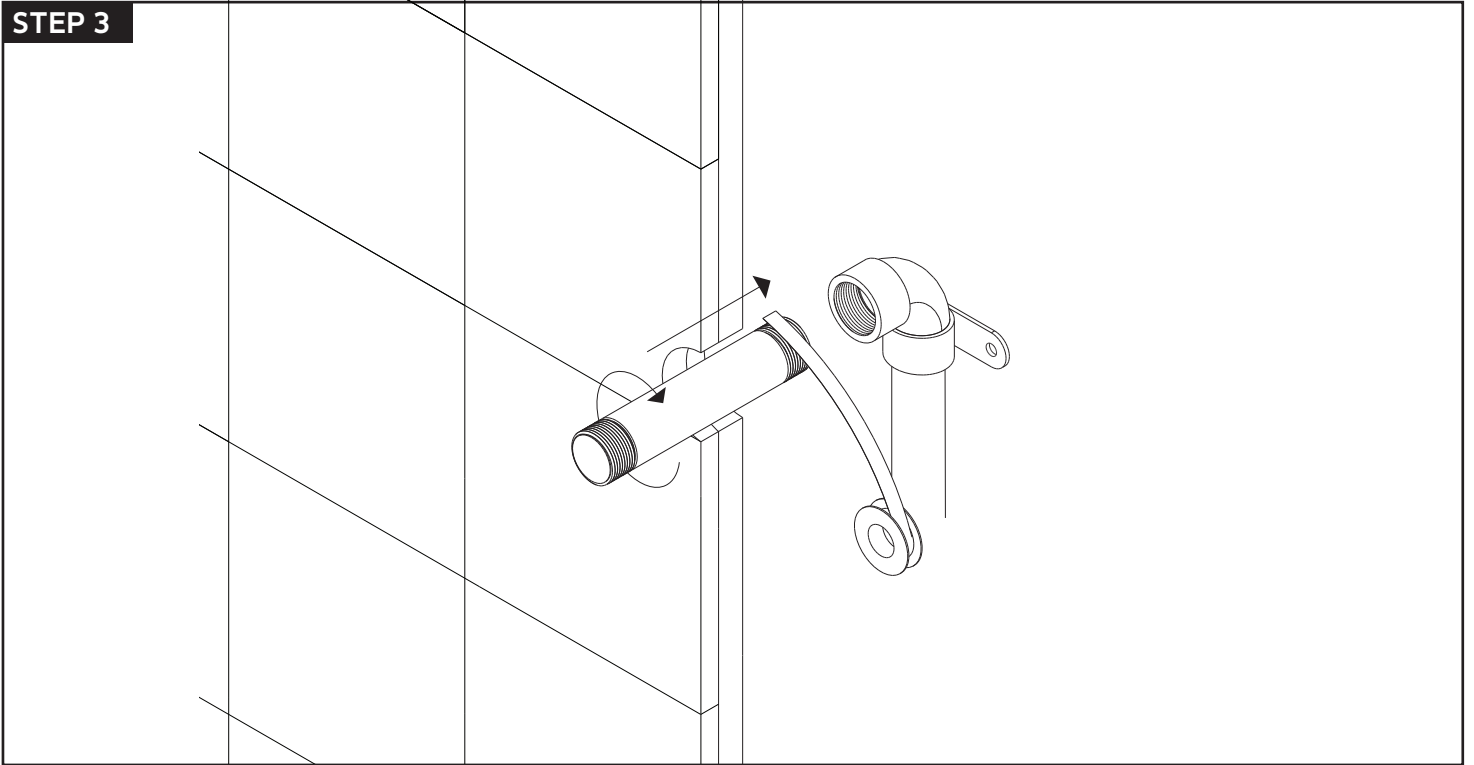


STEP 2

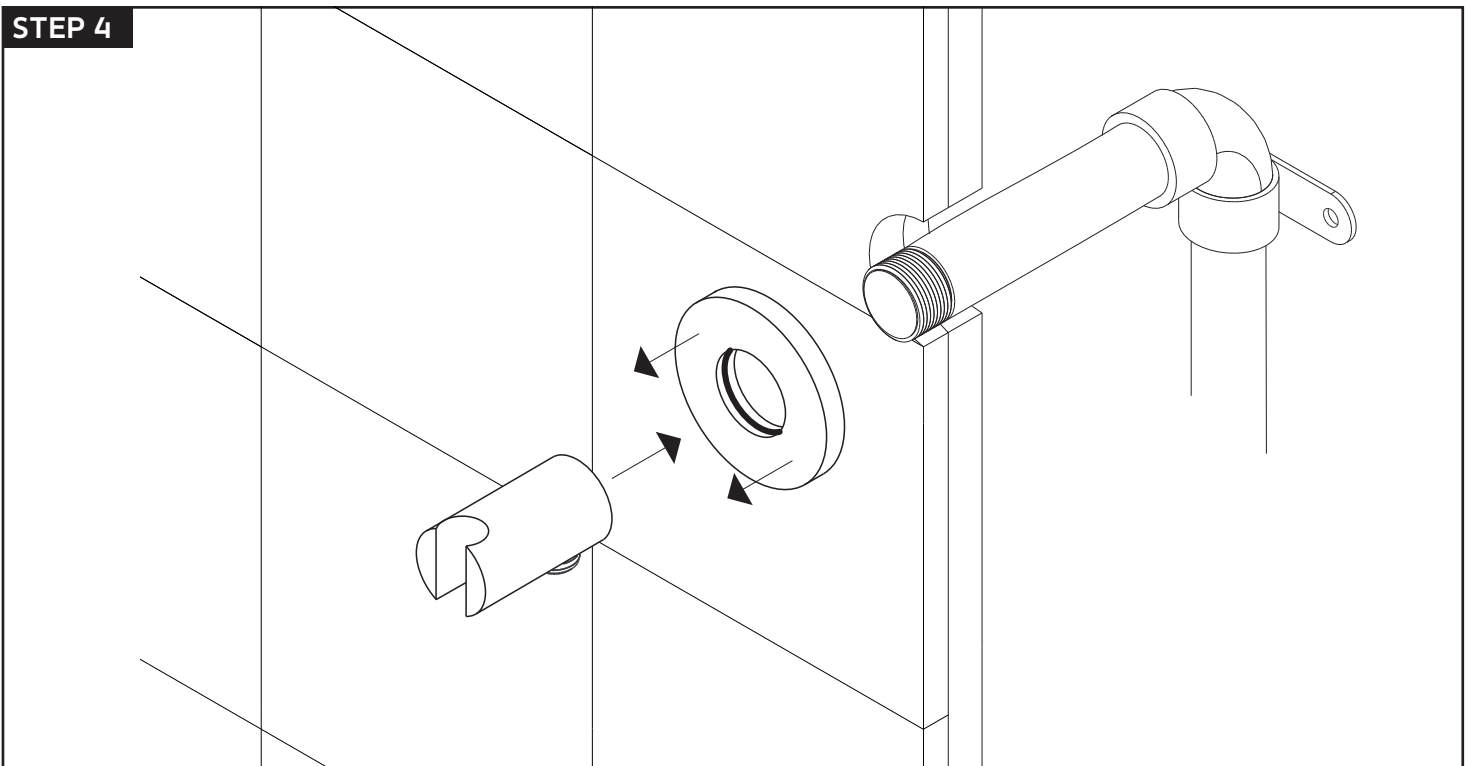


INSTALLATION STEPS

STEP 3



STEP 4

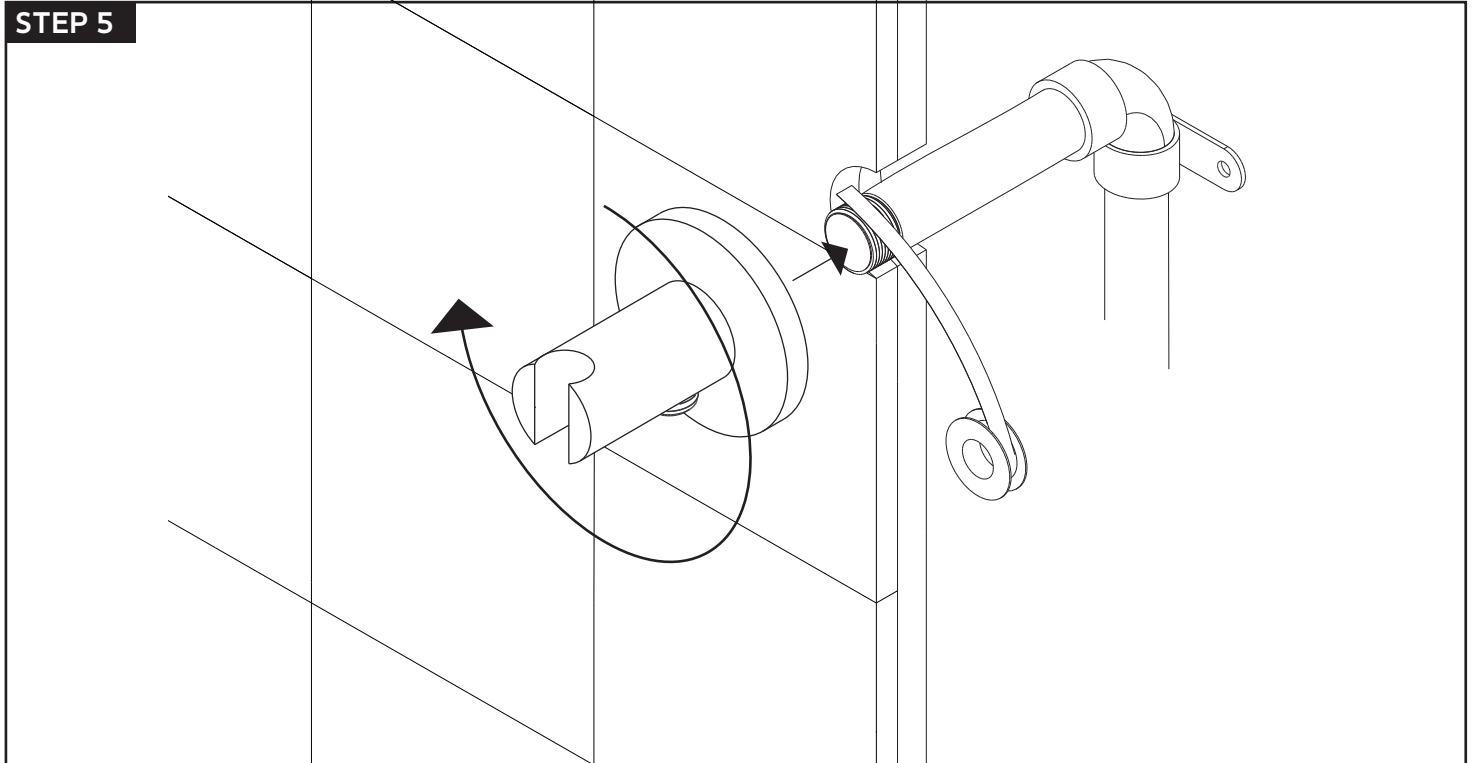


artos[®]

F907-5

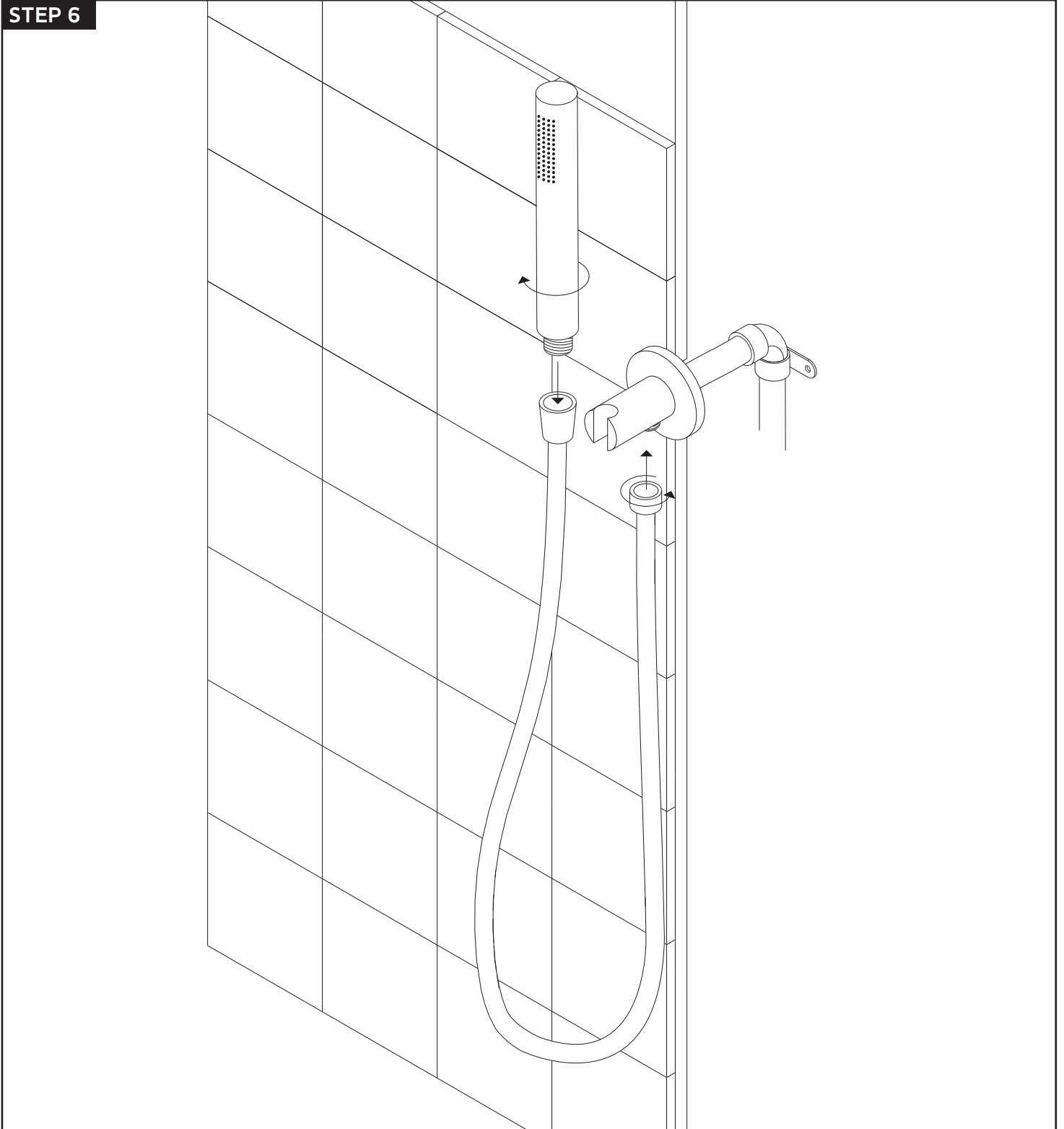
flexible hose shower kit with
integrated water outlet
round

STEP 5



INSTALLATION STEPS

STEP 6

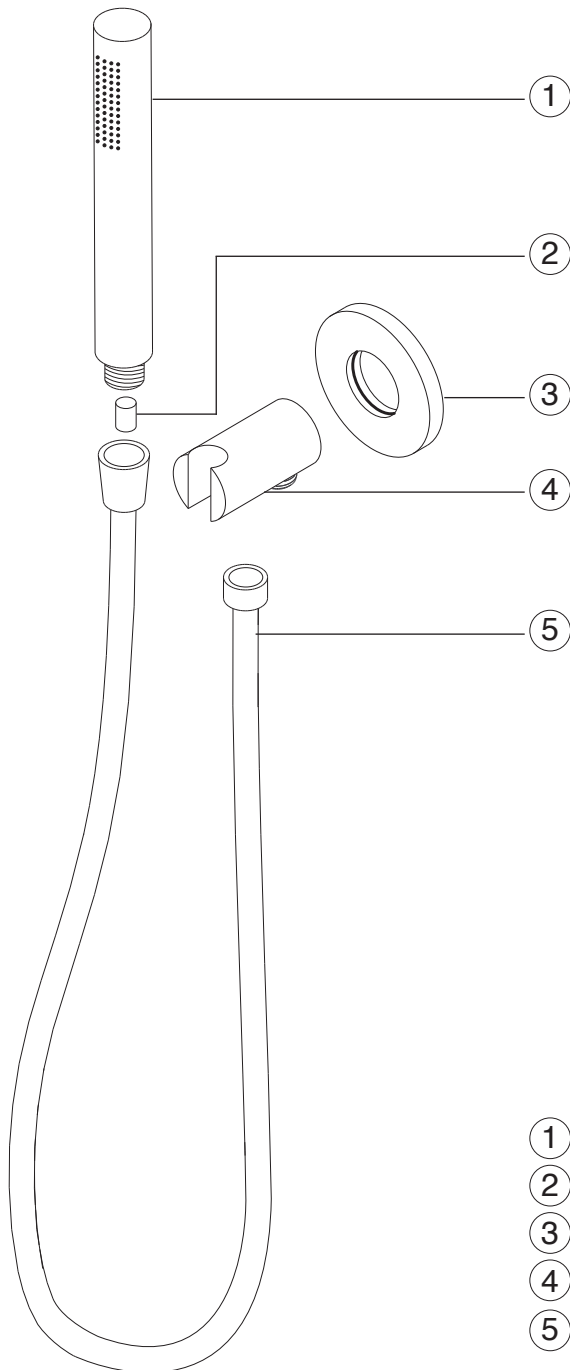


artos[®]

F907-5

PARTS BREAKDOWN

flexible hose shower kit with
integrated water outlet
round



- ① **HAND SHOWER** F907-5 XP1
- ② **HAND SHOWER CHECK VALVE** F907-5 XP2
- ③ **ESCUTCHEON PLATE** F907-5 XP3
- ④ **SHOWER OUTLET ELBOW AND HOLDER** F907-5 XP4
- ⑤ **SHOWER HOSE** F907-5 XP5

flexible hose shower kit with
integrated water outlet
round

For best results, keep the following in mind to retain the high quality finish of your artos® shower kit:

- Use a soft, dampened sponge or cloth. On no account should you use an abrasive material such as a brush, scouring pad or steel wool to clean surfaces.
- Test your cleaning agent solution on an inconspicuous area before applying to the entire product.
- Wipe surfaces clean and rinse completely with water immediately after applying cleaning agent.
- An ideal cleaning technique is to rinse faucet thoroughly and blot dry any water from the surface after each use.

LIMITED LIFETIME WARRANTY

UWR/LPLWHG/LIHWLPH:DUUDW

UWRIDXFHWKDHEHHPDXIDFWXUHGXGHUWKHKLKHWTXDOLWDGPDXIDFWXULWDGDUGUWR
IDXFHWDUHXDUDWHHGIRUOLIHDDLWOHDNDGPDXIDFWXULGHIHFWIRUDORDWKHRULLDO
FRXPHUSXUFKDHURLW7KLDUUDWDSSOLHWRLWDOODWLRWKLH6DDGDDGOHLFR
TRUWKPHULFDRPPHUFLLDO,GXWULDORUEXLHXHDUHDUUDWHGIRUDSHULRGRIRHHDUIURP
WKHRULLDOGDWHRISXUFKDH

7KLDUUDWLRWUDIHUDEOHDGSSOLHHFOXLHOWRWKHRULLDORHURUHGXHU ,IDGHIHFWL
IRXGGXULRUPDOXHUWRLOODWLWHOFWLRUHSDLUUHSODFHRUPDNHDDSSURSULDWHDGMXWPHW
DPDFDXHGEDFFLGHWPLXHDEXHLPURSUSHULWDOODWLRRUJOWHWDWLRLOORLWGWKHUUDW
7KLDUUDWGRHRWFRHUUHSODFHPHWSDUWKHUHGDPDHLFDXHGGERUPDOHDUDGWHDU
/DERUFKDUHLWDOODWLRURRWKHULFLGHWDORUFRHTXHWLDOFRWLLOORWEHFRHUHG

5HSODFHPHWSDUWWKDWTXDOLIIRUDUUDWUHSDLUFDEHREWDLHGFEFRWDFWLUWRDW
5726RUEHPDL0DWLIRDUWRXFRP3URRIRISXUFKDHURULLDODOHUHFHLSWIURPWKH
RULLDOFRXPHUSXUFKDHUPXWDFRPSDDOODUUDWFODLP:KHXEPLWWLRXUFODLP L
ULWLSOHDHSURLGHRXUDPHDGGUHDGWHOHOSKRHXPEHU

3 0 H D H U H L W H U W K L W R U G X F D W : : : 5 7 2 6 6 2 0

, W I P 1 R) 9 0