

artos[®]

F501-8-1

INSTALLATION GUIDE

opera in wall lav faucet single
handle

BRUSHED NICKEL(BN)



CHROME(CH)



artos[®]

F501-8-1

OPERATING SPECIFICATIONS

opera in wall lav faucet single
handle



FEATURES

Integrated Control

OPERATING PRESSURE

Minimum: 15 psi

Maximum: 75 psi

Above 90psi it may be necessary to install a pressure reducer

OPERATING TEMPERATURE

Maximum: 176°

FLOW RATE

1.2 USGPM

APPROVALS

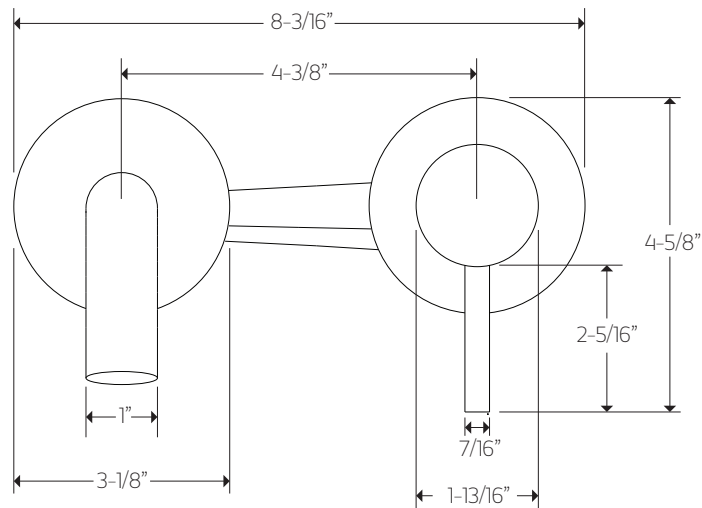
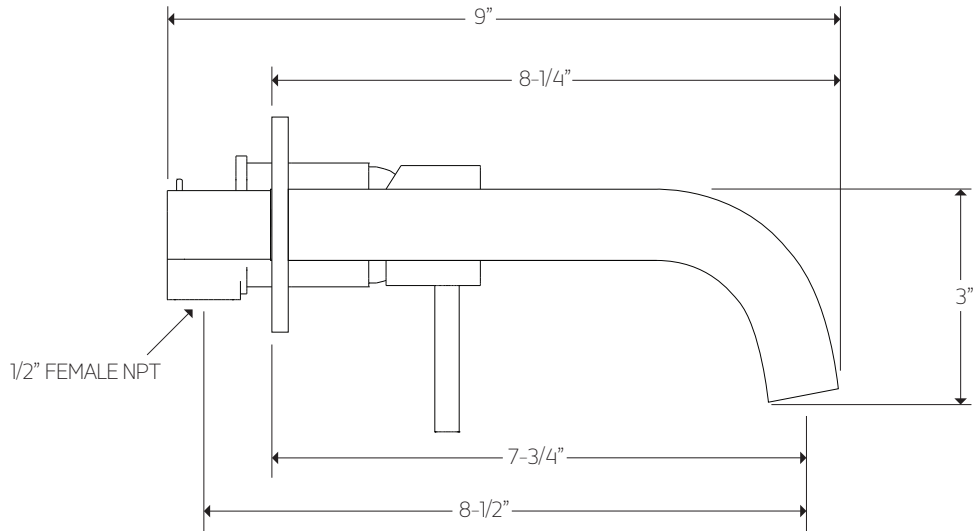


artos[®]

F501-8-1

PRODUCT DIMENSIONS

opera in wall lav faucet single
handle

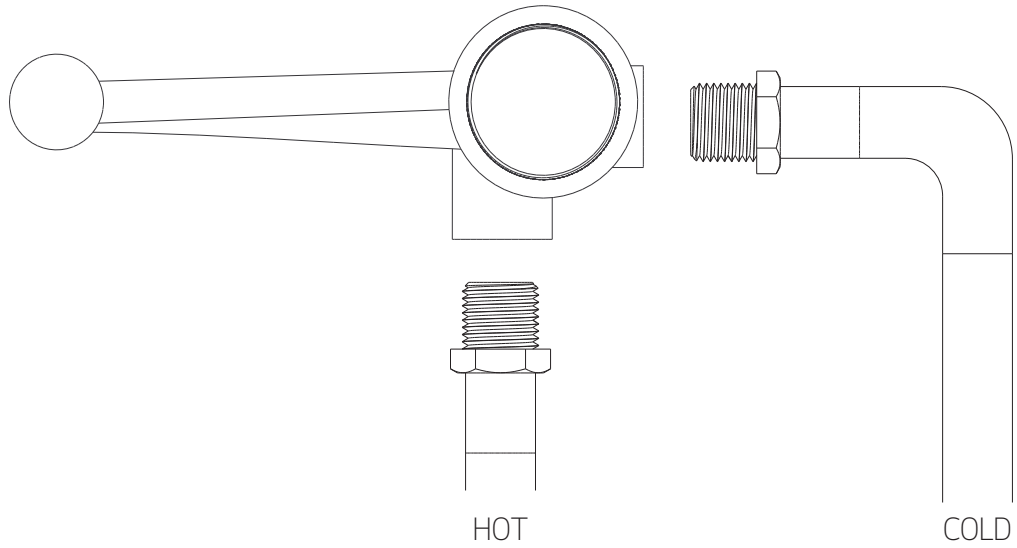


artos[®]

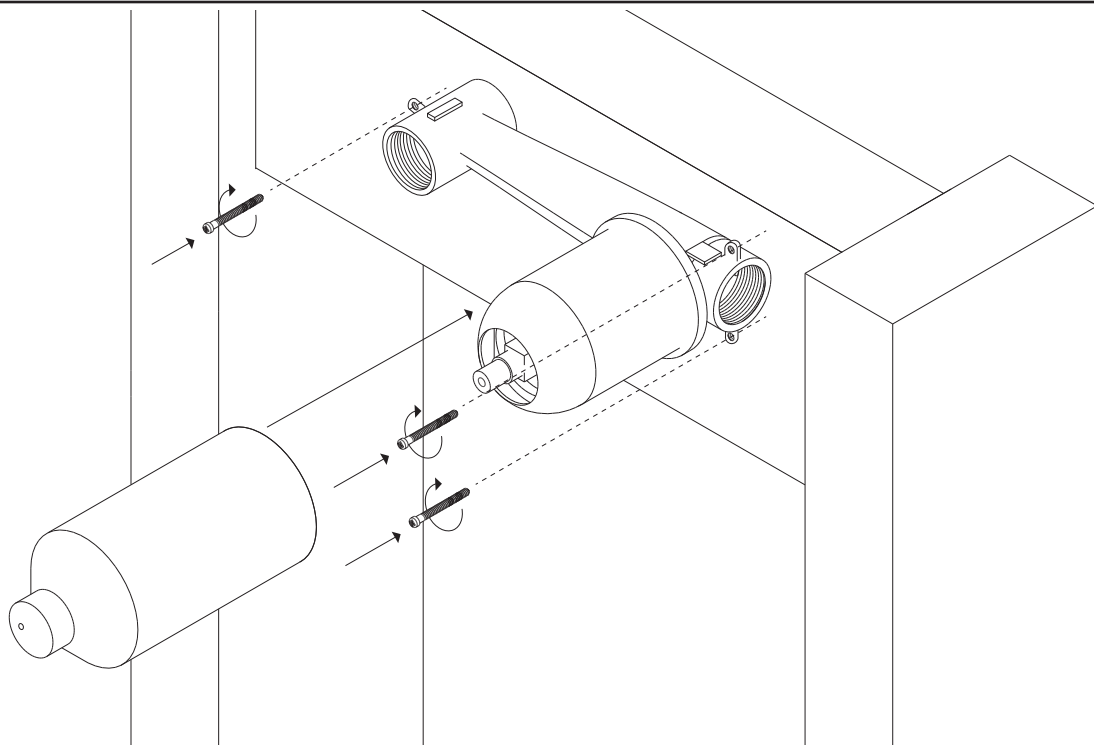
F501-8-1

opera in wall lav faucet single handle

STEP 1

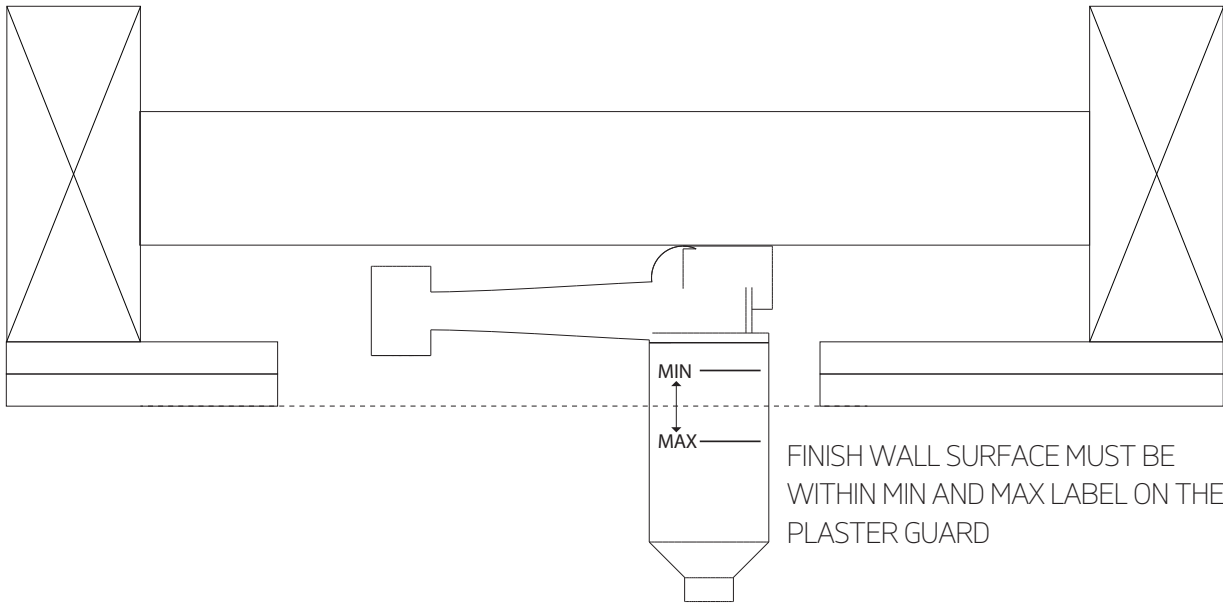


STEP 2

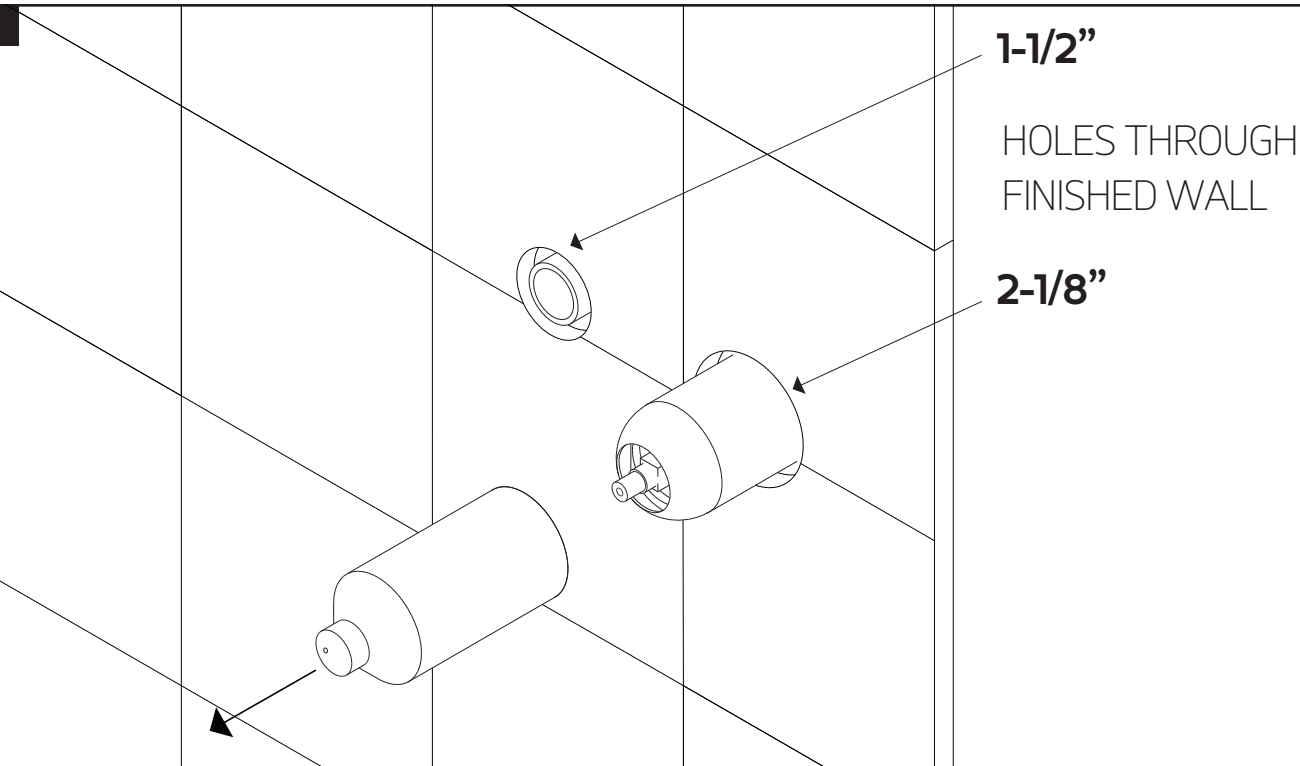


INSTALLATION STEPS

STEP 3



STEP 4

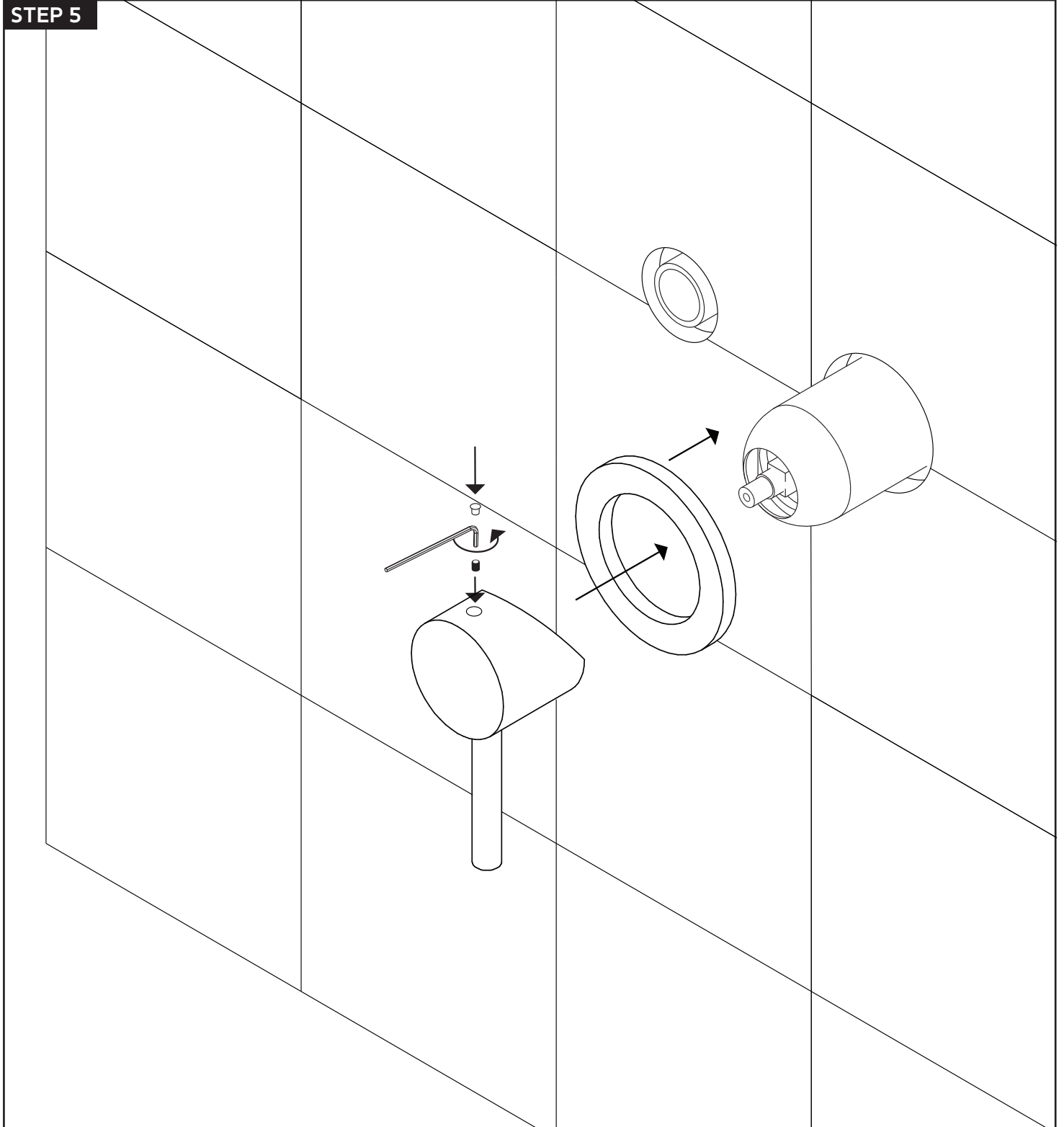


artos[®]

F501-8-1

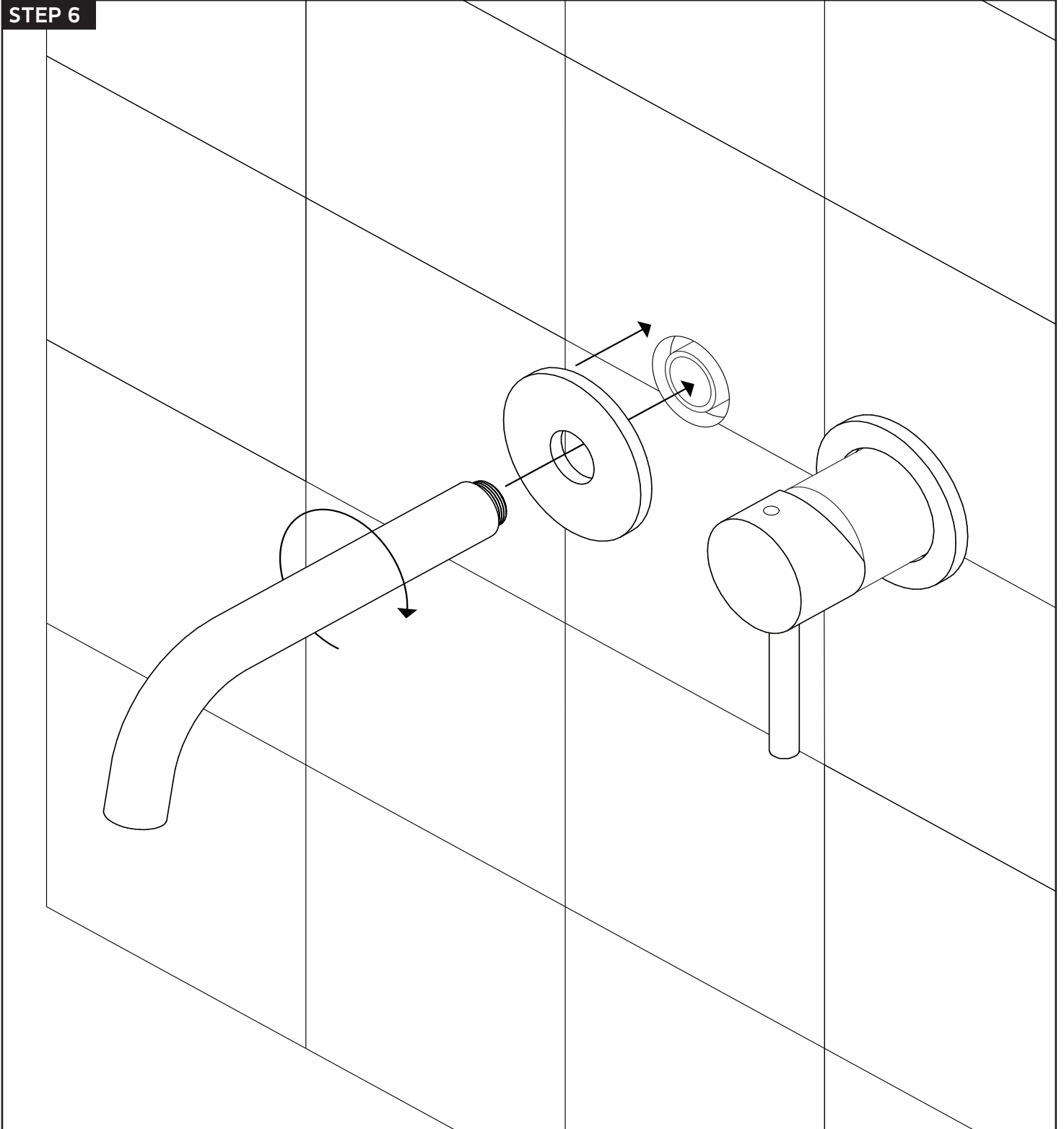
opera in wall lav faucet single
handle

STEP 5



INSTALLATION STEPS

STEP 6

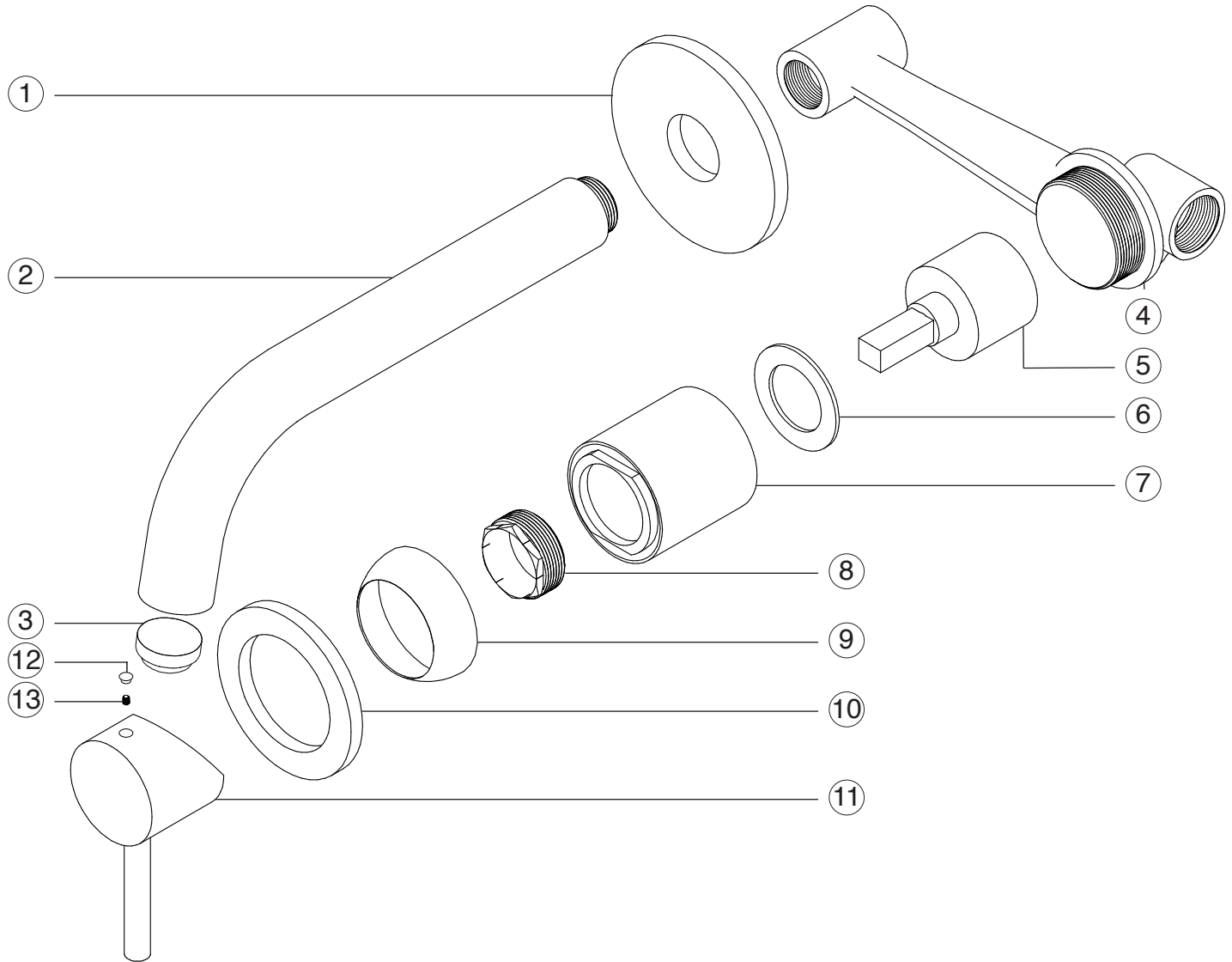


artos[®]

F501-8-1

PARTS BREAKDOWN

opera in wall lav faucet single handle



① **SPOUT ESCUTCHEON PLATE** F501-8-1 XP1

② **FAUCET SPOUT** F501-8-1 XP2

③ **FAUCET AERATOR** F501-8-1 XP3

④ **VALVE BODY** F501-8-1 XP4

⑤ **CARTRIDGE** F501-8-1 XP5

⑥ **CARTRIDGE GASKET** F501-8-1 XP6

⑦ **CARTRIDGE HOUSING** F501-8-1 XP7

⑧ **CARTRIDGE SECURING NUT** F501-8-1 XP8

⑨ **DRESS RING** F501-8-1 XP9

⑩ **CONTROL HANDLE ESCUTCHEON** F501-8-1 XP10

⑪ **CONTROL HANDLE** F501-8-1 XP11

⑫ **CONTROL HANDLE CAP** F501-8-1 XP12

⑬ **CONTROL HANDLE SET SCREW** F501-8-1 XP13

artos®

F501-8-1

CARE & MAINTENANCE

opera in wall lav faucet single handle

For best results, keep the following in mind to retain the high quality finish of your artos® faucets:

- Use a soft, dampened sponge or cloth. On no account should you use an abrasive material such as a brush, scouring pad or steel wool to clean surfaces.
- Test your cleaning agent solution on an inconspicuous area before applying to the entire faucet.
- Wipe surfaces clean and rinse completely with water immediately after applying cleaning agent.
- An ideal cleaning technique is to rinse faucet thoroughly and blot dry any water from the surface after each use.

LIMITED LIFETIME WARRANTY

UWRLPLWHGLIHWLPH:DUUDW

UWRIDXFHWKDEHHPDXIDFWXUHGXGHUWKHKLKHWTXDOLWDGPDXIDFWXULWDGDUGUWR
IDXFHWDUHXDUDWHHGIRUOLIHDDLWOHDNDGPDXIDFWXULGHIHFWRUDORDWKHRULLDO
FRXPUSXUFKDHURLW7KLDUUDWDSSOLHWRLWDOODWLRWLK86DDGGDDGOHLFR
TRUWKPHULFDRPPHUFLO,GXWULDORUEXLHXHDUHUUUDWHGIRUDSHULRGRIRHHDUIURP
WKHRULLDOGDWHRISXUFKDH

7KLDUUDWLRWUDIHUDEOHDGDSSOLHHFOXLHOWRWKHRULLDORHURUHGXHU,IDGHIHFWL
IRXGGXULRUPDOXHUWRLOODWLWHOHFWRUHSDLUHSODFHRUPDNHDDSSURSULDWHDGMXWPHW
DPDHFDXHGEDFFLGHWPLXHDEXHLPURSHULWDOODWLRRUUDOWHWDWLRLOORLWGHKDUUDW
7KLDUUDWGRHRWFRHUHSODFHPHWSDUWKHUHGDPDHLFDXHGERUPDOHDUDGWHDU
DERUFKDUHLWDOODWLRURWKHULFLGHWDORUFRHTXHWLDOFRWLOORWEHFRHUHG

5HSODFHPHWSDUWWKDWTXDOLIIRUDUUDWUHSDLUFDEHREWDLHGFEFRWDFWLUWRDW
5726RUEHPDLODWLIRDURXFRP3URRIRISXUFKDHURULLDODOHUHFHLSWIUR PWKH
RULLDOFRXPUSXUFKDHUPXWDFRPSDDOUDWDFODLP:KHXEPLWWLRXUFODLP L
ULWLSOHDHSURLGHRXUDPHDGGUHDGWHOHSKRHXPEHU

3 0 H D H U H L W H W K L S U R G X W R O L H D W : : 5 7 2 6 8 6 2 0

, WIP 1 o : F 01-3-1
e r i a l N o :