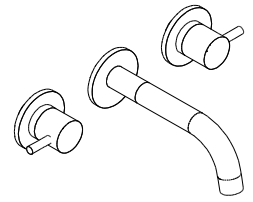


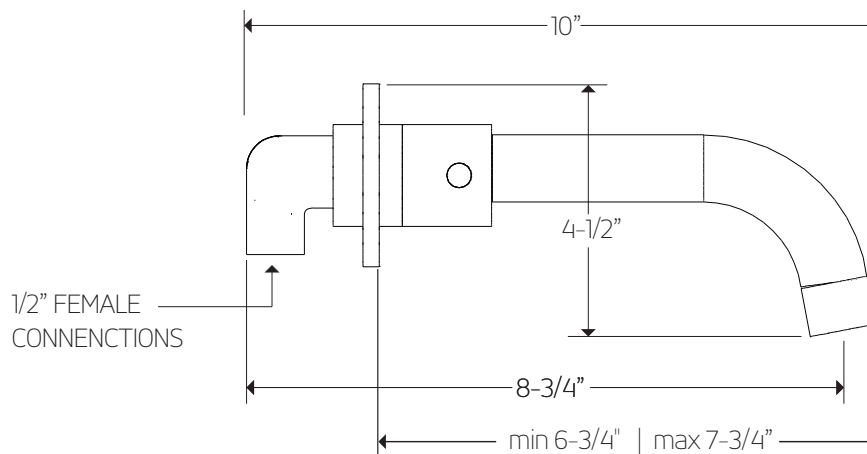
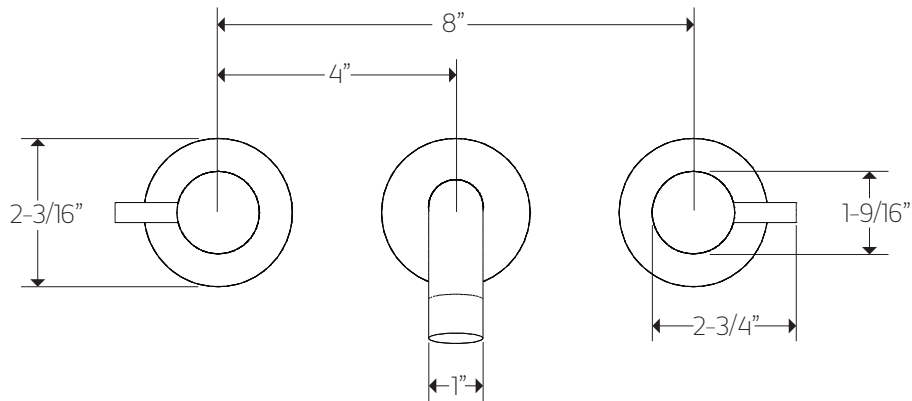
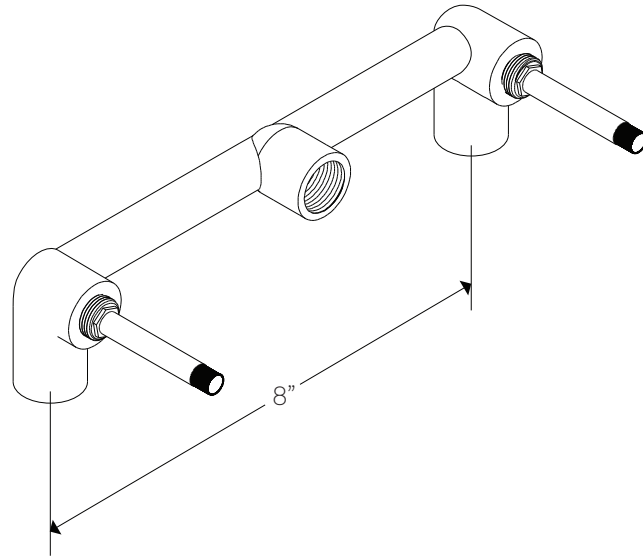
# artos<sup>®</sup>



F501-7-1

## TECHNICAL DATA SHEET

opera in wall lav faucet



# artos<sup>®</sup>

F501-7-1

## OPERATING SPECIFICATIONS

opera in wall lav faucet



### FEATURES

Integrated Controls

### OPERATING PRESSURE

Minimum: 15 psi

Maximum: 75 psi

Above 90psi it may be necessary to install a pressure reducer

### OPERATING TEMPERATURE

Maximum: 176°

### FLOW RATE

1.2 USGPM

### APPROVALS

