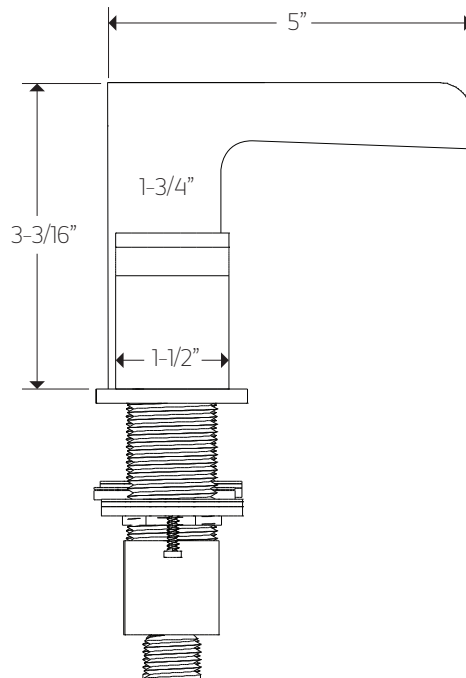
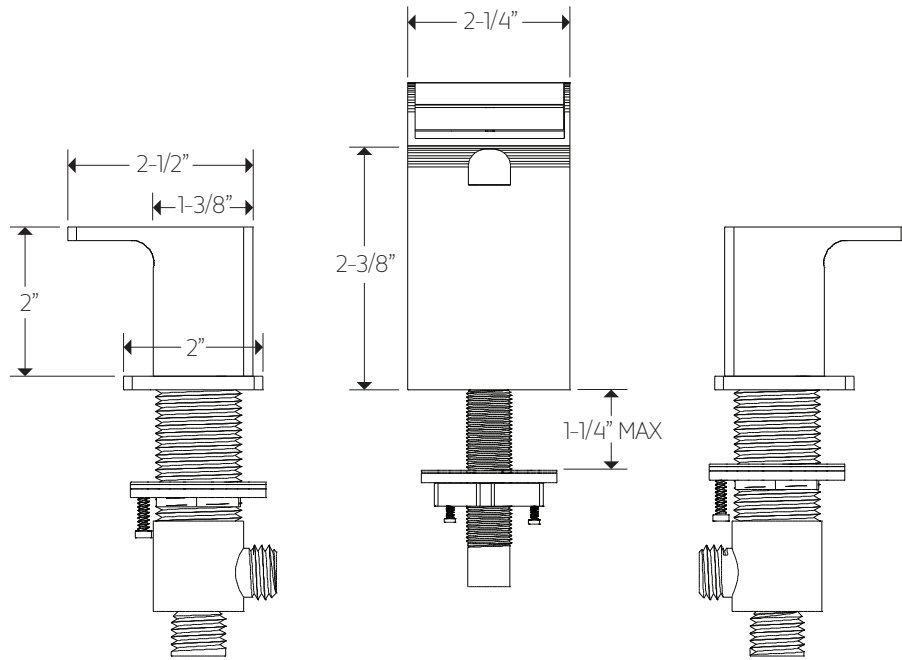




F801-5

## TECHNICAL DATA SHEET

cascade 8" lav faucet



# artos<sup>®</sup>

## F801-5

## OPERATING SPECIFICATIONS

kascade 8" lav faucet



### FEATURES

Valve bodies included  
Waterfall Flow

### OPERATING PRESSURE

Minimum: 15 psi  
Maximum: 75 psi  
Above 90psi it may be necessary to install a pressure reducer

### OPERATING TEMPERATURE

Maximum: 176°

### FLOW RATE

1.2 USGPM

### APPROVALS

