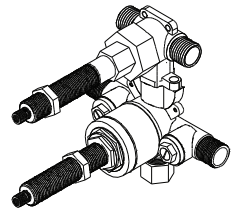


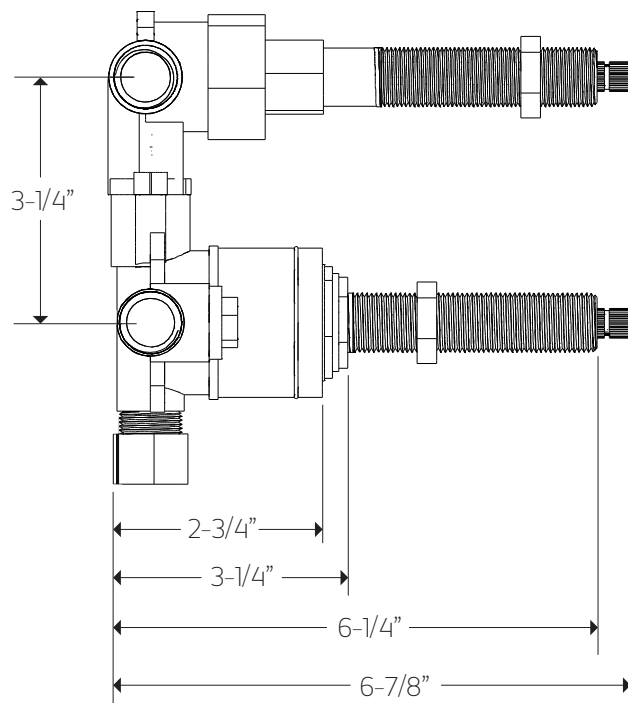
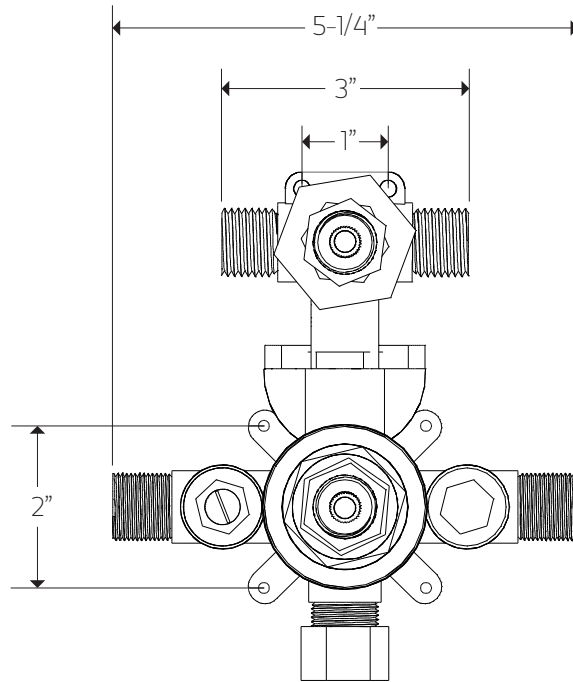
artos<sup>®</sup>  
the art of style



F903A-42V0

TECHNICAL DATA SHEET

pressure balance mixer with  
2-way diverter valve only

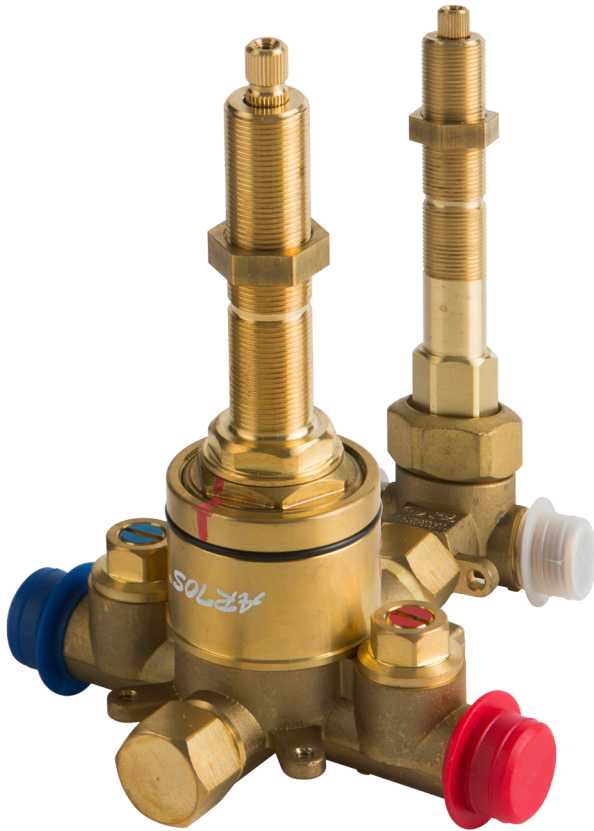


# artos

## F903A-42V0

pressure balance mixer with  
2-way diverter valve only

## OPERATING SPECIFICATIONS



### MIXED WATER TEMPERATURE

Maximum: 120°F

### HOT WATER SUPPLY TEMPERATURE

Maximum: 180°F

Minimum: 50°F

Advisable: 150°F- 160°F

Minimum difference between hot mixed temperature 50°F

### OPERATING PRESSURE

Maximum: 125psi

Minimum: 20psi

Recommended: 30psi- 95psi

Operating pressures (on hot and cold lines) should be kept as balanced as possible, in order to assure the maximum efficiency.

### STANDARDS

ASSE 1016.ASME A112.18.1/CSA B123.1 Certified

### CODES

CUPC Approved