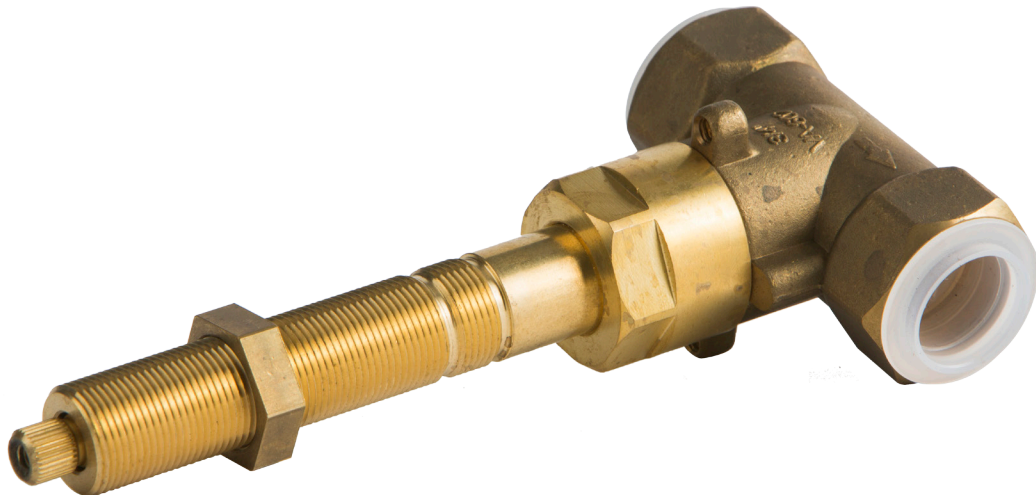


artos

F906A34-V0

3/4" volume control valve only

INSTALLATION GUIDE



artos

F906A34-V0

3/4" volume control valve only

OPERATING SPECIFICATIONS

OPERATING PRESSURE

Minimum: 10 psi
Maximum: 125 psi

FLOW CAPACITY

7.1USGPM@60 psi

INLET/OUTLET

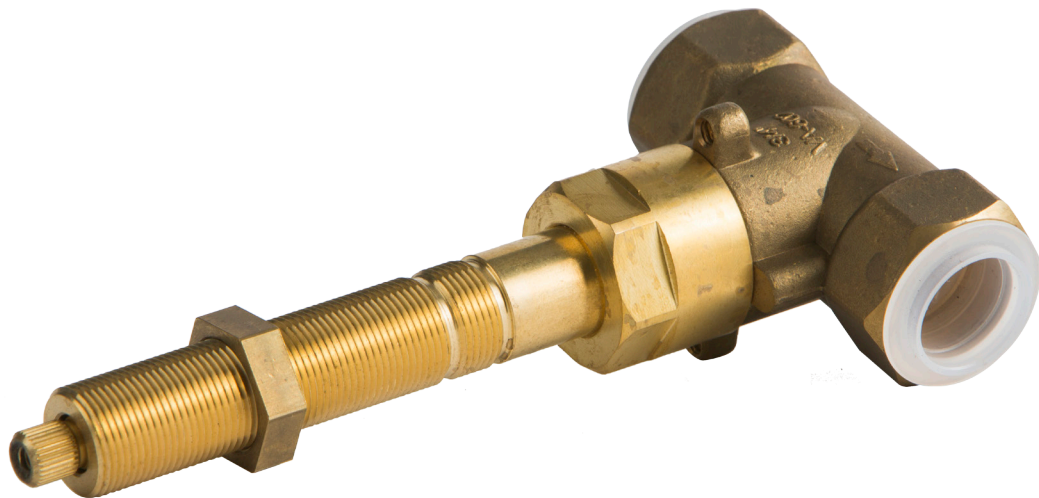
3/4" Female NPT

STANDARDS

ASSE 1016.ASME A112.18.1/CSA B123.1 Certified

CODES

CUPC Approved

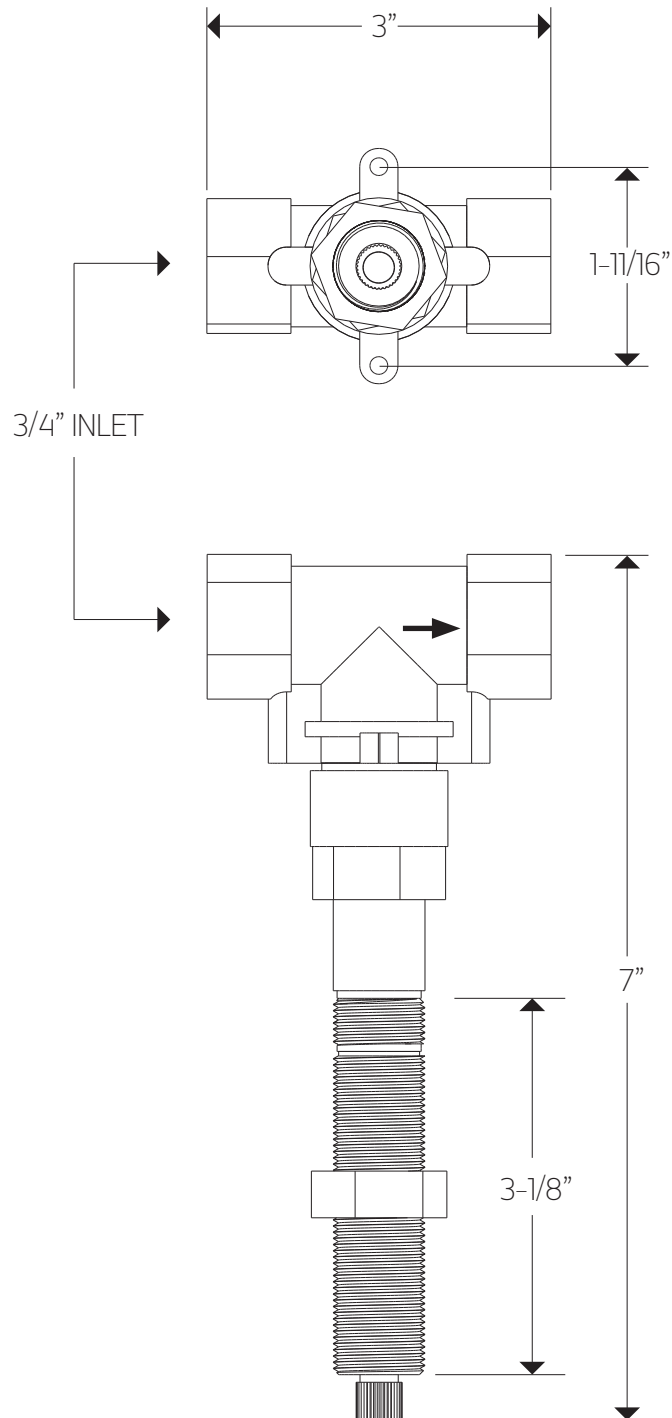


artos

F906A34-V0

3/4" volume control valve only

PRODUCT DIMENSIONS



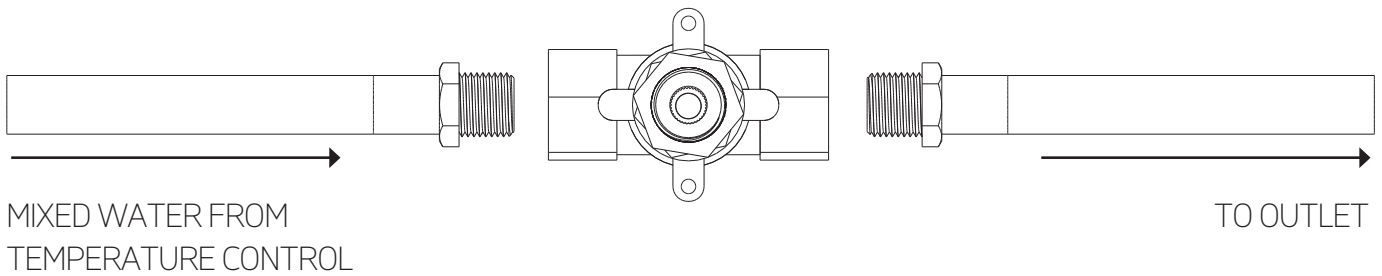
artos

F906A34-V0

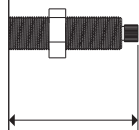
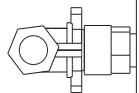
3/4" volume control valve only

STEP 1

IMPORTANT: IF USING HEAT NEAR THE VALVE BODY PLEASE REMOVE CARTRIDGE.



STEP 2



FRONT OF PLASTER GUARD
TO FINISH WALL SURFACE

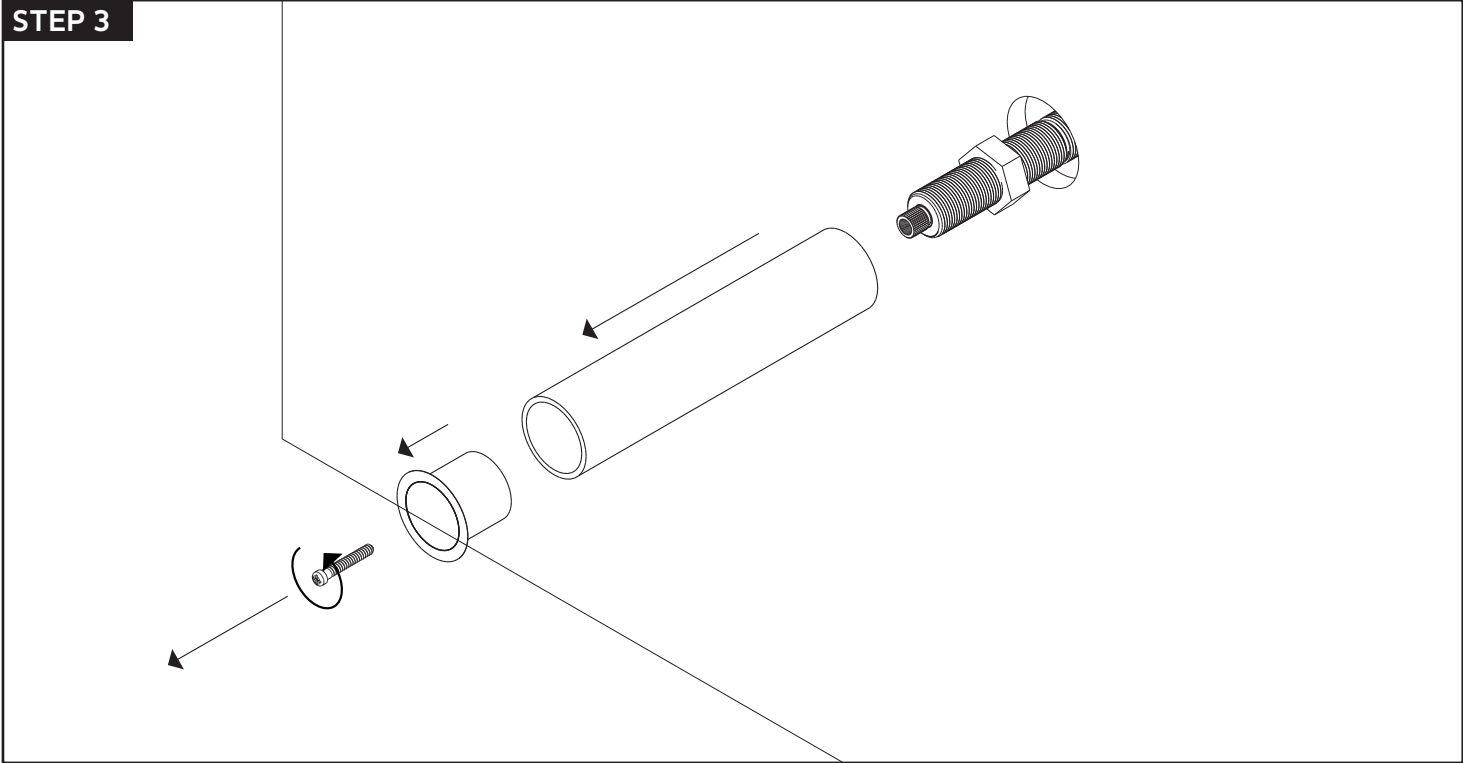
MAX= 3"
MIN= 1"



1-1/2"
HOLE THROUGH
FINISHED WALL

INSTALLATION STEPS

STEP 3

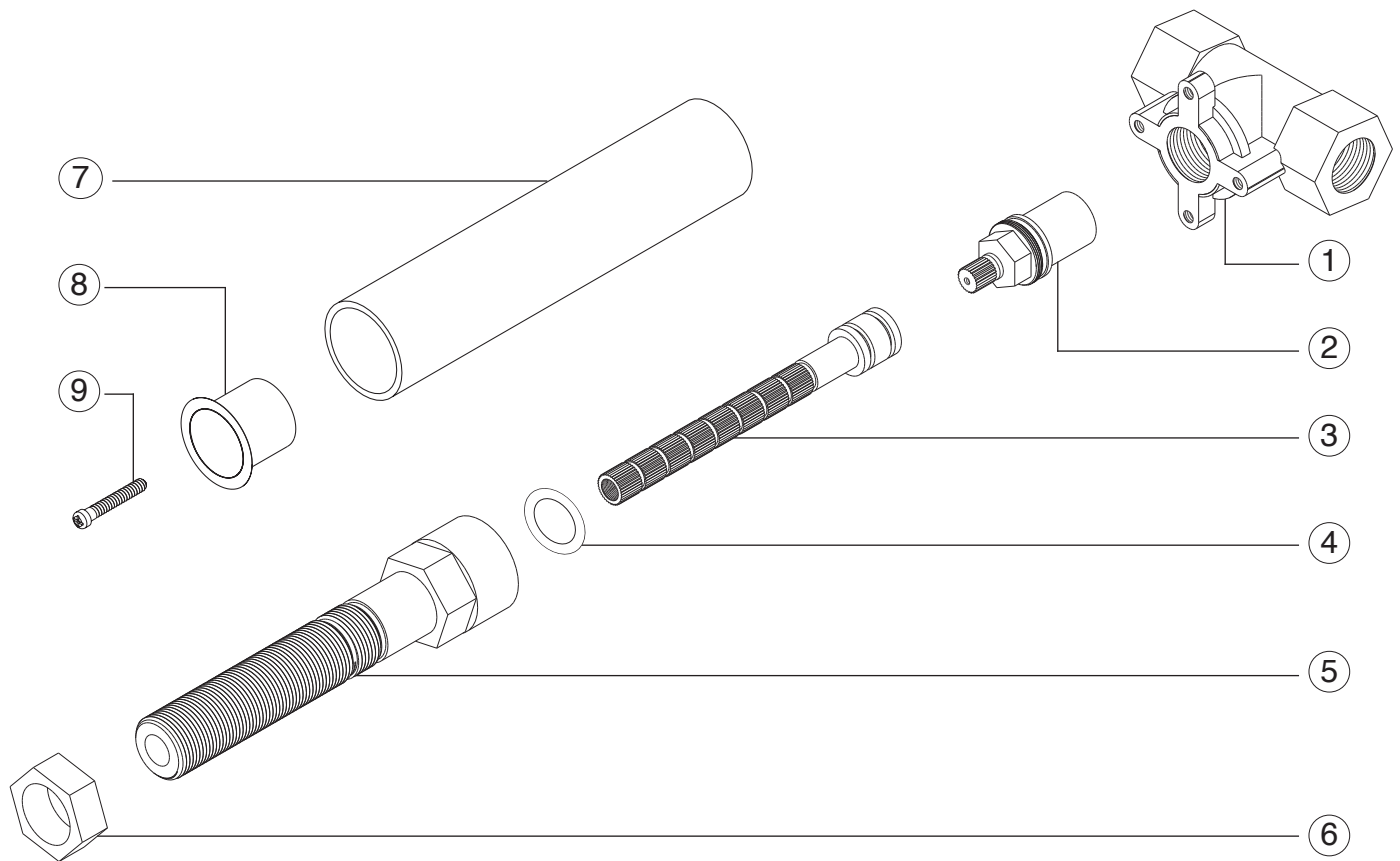


artos

F906A34-V0

3/4" volume control valve only

PARTS BREAKDOWN



- ① **VALVE BODY** F906A34-V0 XP1
- ② **CARTRIDGE** F906A34-V0 XP2
- ③ **HANDLE STEM** F906A34-V0 XP3
- ④ **STEM WASHER** F906A34-V0 XP4
- ⑤ **ESCUTCHEON STEM** F906A34-V0 XP5
- ⑥ **PLATE SECURING NUT** F906A34-V0 XP6
- ⑦ **PLASTER GUARD** F906A34-V0 XP7
- ⑧ **PLASTER GUARD CAP** F906A34-V0 XP8
- ⑨ **PLASTER GUARD SCREW** F906A34-V0 XP9

artos

F906A34-V0

3/4" volume control valve only

CARE & MAINTENANCE

For best results, keep the following in mind to retain the high quality finish of your artos® faucets:

- Use a soft, dampened sponge or cloth. On no account should you use an abrasive material such as a brush, scouring pad or steel wool to clean surfaces.
- Test your cleaning agent solution on an inconspicuous area before applying to the entire faucet.
- Wipe surfaces clean and rinse completely with water immediately after applying cleaning agent.
- An ideal cleaning technique is to rinse faucet thoroughly and blot dry any water from the surface after each use.

LIMITED LIFETIME WARRANTY

UWRV/LPLWHG/LIHWLPH:DUUDW

UWRVIDXFHWWDEHHPDXIDFWXUHGXGHUWHLHWWTXDOLWDGPDXIDFWXULVWDGDUGVUWRV
IDXFHWWDUHXDUDWHHGIRUOLIHDDLWOHDNVDGPDXIDFWXULGHIHFVWIRUDVORDVWHRULLDO
FRVXPHUSXUFDVHURVLW7LVDUUDWDSSOLHVWRLVWDOODWLRVWLWH86DDGDDG0HLFR
TRUWPHULFDRPPHUFLO,GXVWULDORUJXVXVHVVDUHDUUDWHGIRUDSHULRGRIRHHDUIURP
WHRULLDOGDWHRISXUFDVH

7LVDUUDWLVWRWUDVIHUDEOHDGDSSOLHVHFOXVLHOWRWHRULLDORHURUHGXVHU ,IDGHIHFWLV
IRXGGXULRUPDOXVHUWRVLOODWLWVHOHFWLRUHSDLUHSODFHRUPDNHDDSSURSULDWHDGMXVWPHW
DPDFDXVHGDFLGHWPLVXVHDEXVHLPSURSHULVWDOODWLRUDOWHWDWLRLOORLWGHUUDW
7LVDUUDWGRHVRWFRHUHSODFHPHWSDUWVHUHGDPDHLVFDXVHGERUPDOHDUDGWHDU
/DERUFDUHVLVWDOODWLRURWHULFLGHWDORUFRVHTXHWLDOFRVWVLOORWEHFRHUHG

5HSODFHPHWSDUWVWDWTXDOLIIRUDUUDWUHSDLUFDEHREWDLHGFEFRWDFWLWUWRVDW
5726RUEHPDLODWLIRDUWRVXVFRP3URRIRISXUFDVHRULLDOVDOHVUHFHLSWIURPWH
RULLDOFRVXPHUSXUFDVHUPXVWDFFRPSDDOODUUDWFODLPV:HVXEPLWWLRXUFODLP L
ULWLSOHDVHSURLGHRXUDPHDGGUHVVDGWWHOHSRHXPEHU

3 0 H D V H U H L V W H U W L W R S O U L R I H G X F V : : : 5 7 2 6 8 6 2 0

, W H P 1 R 9 2
6 H U L D O 1 R