

# artos<sup>®</sup>

## F904A-V0

## INSTALLATION GUIDE

3/4" thermostatic valve only



# artos<sup>®</sup>

## F904A-V0

## OPERATING SPECIFICATIONS

3/4" thermostatic valve only



### MIXED WATER TEMPERATURE

Maximum: 120°F

### HOT WATER SUPPLY TEMPERATURE

Maximum: 185°F

Minimum: 50°F

Advisable: 150°F- 160°F

Minimum difference between hot mixed temperature 50°F

### OPERATING PRESSURE

Maximum: 125psi

Minimum: 20psi

Recommended: 30psi- 95psi

Operating pressures (on hot and cold lines) should be kept as balanced as possible, in order to assure the maximum efficiency.

### STANDARDS

ASSE 1016.ASME A112.18.1/CSA B123.1 Certified

### CODES

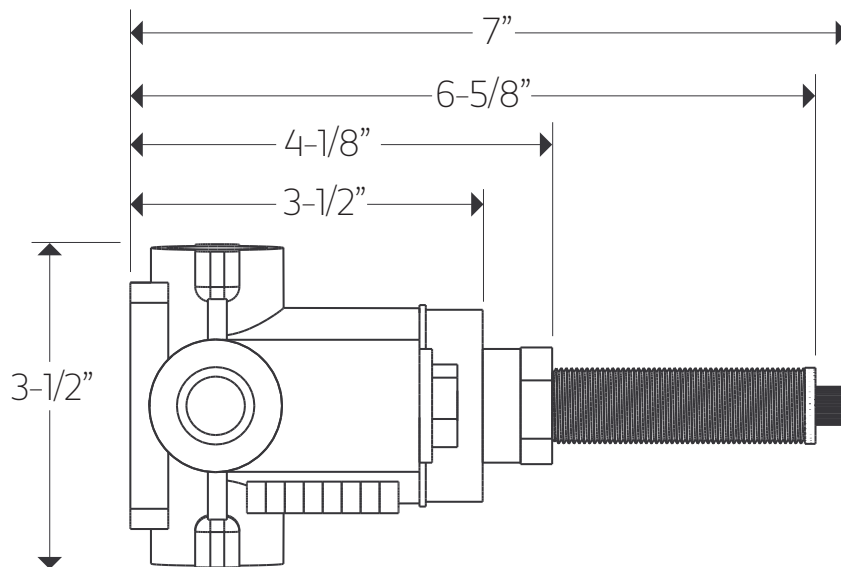
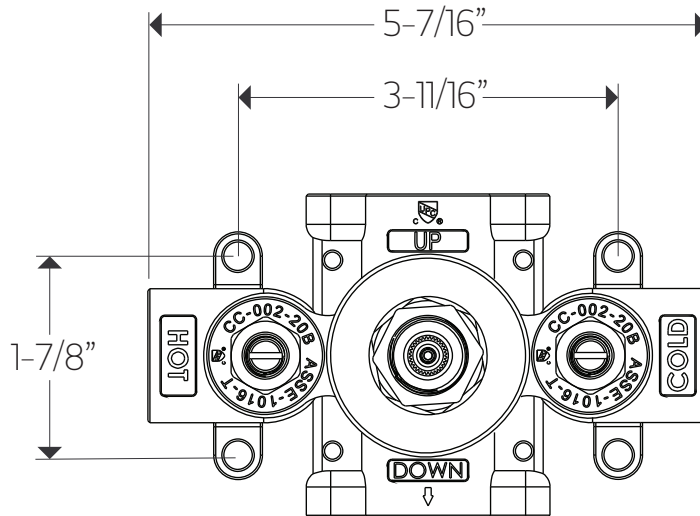
CUPC Approved

# artos<sup>®</sup>

## F904A-V0

## PRODUCT DIMENSIONS

3/4" thermostatic valve only

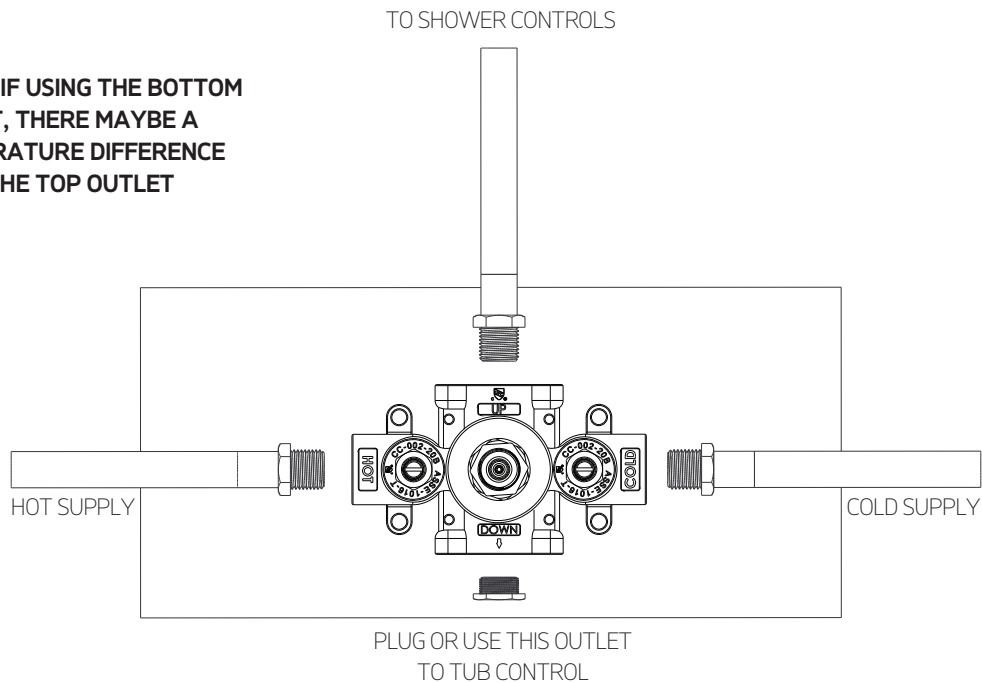


## F904A-V0

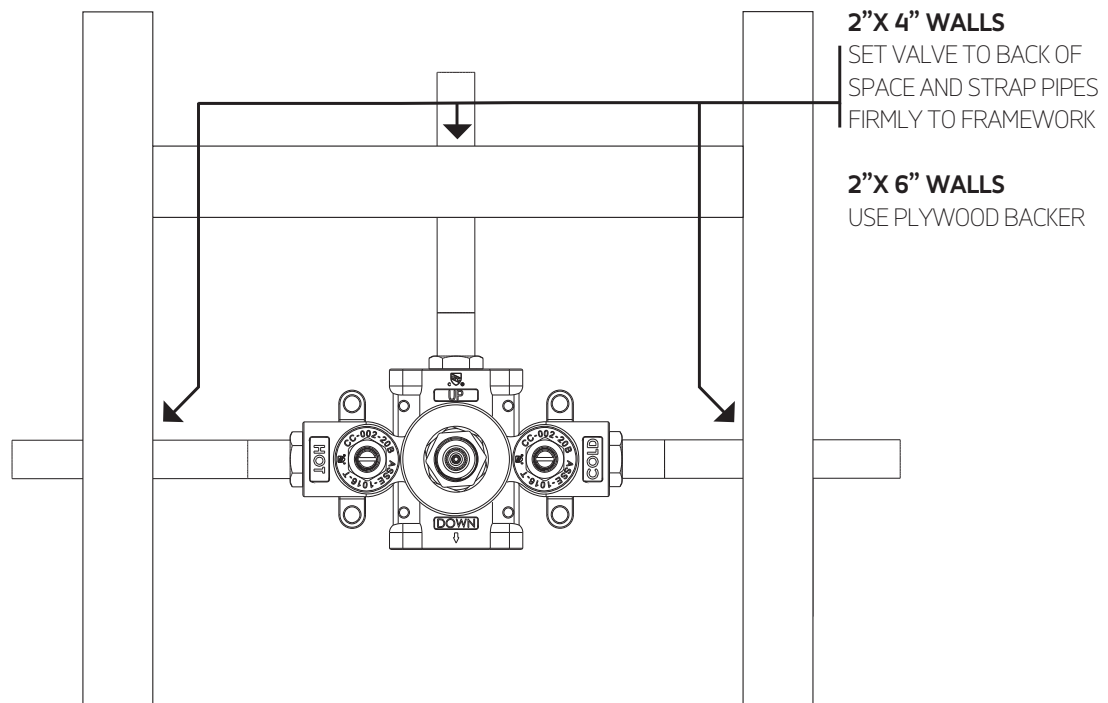
3/4" thermostatic valve only

### STEP 1 IMPORTANT: IF USING HEAT NEAR THE VALVE BODY PLEASE REMOVE CARTRIDGE.

\*NOTE, IF USING THE BOTTOM OUTLET, THERE MAYBE A TEMPERATURE DIFFERENCE FROM THE TOP OUTLET

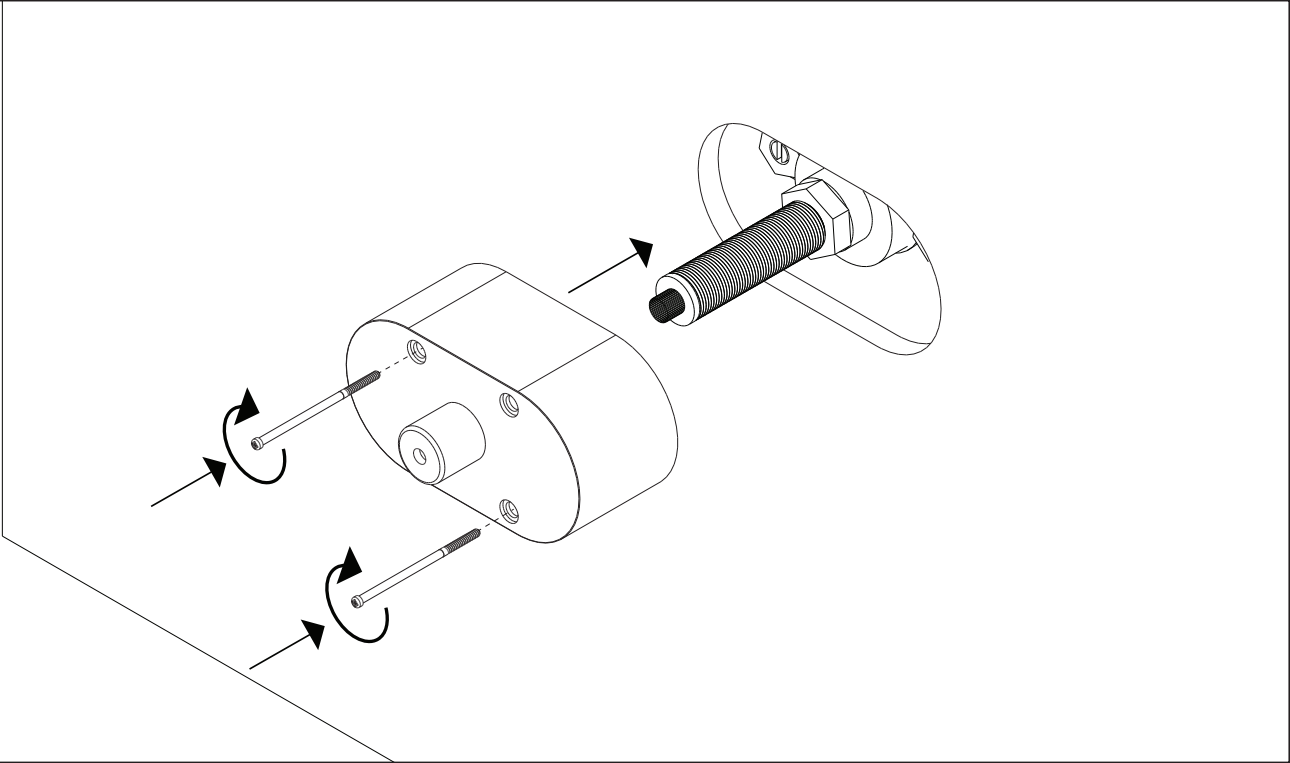


### STEP 2

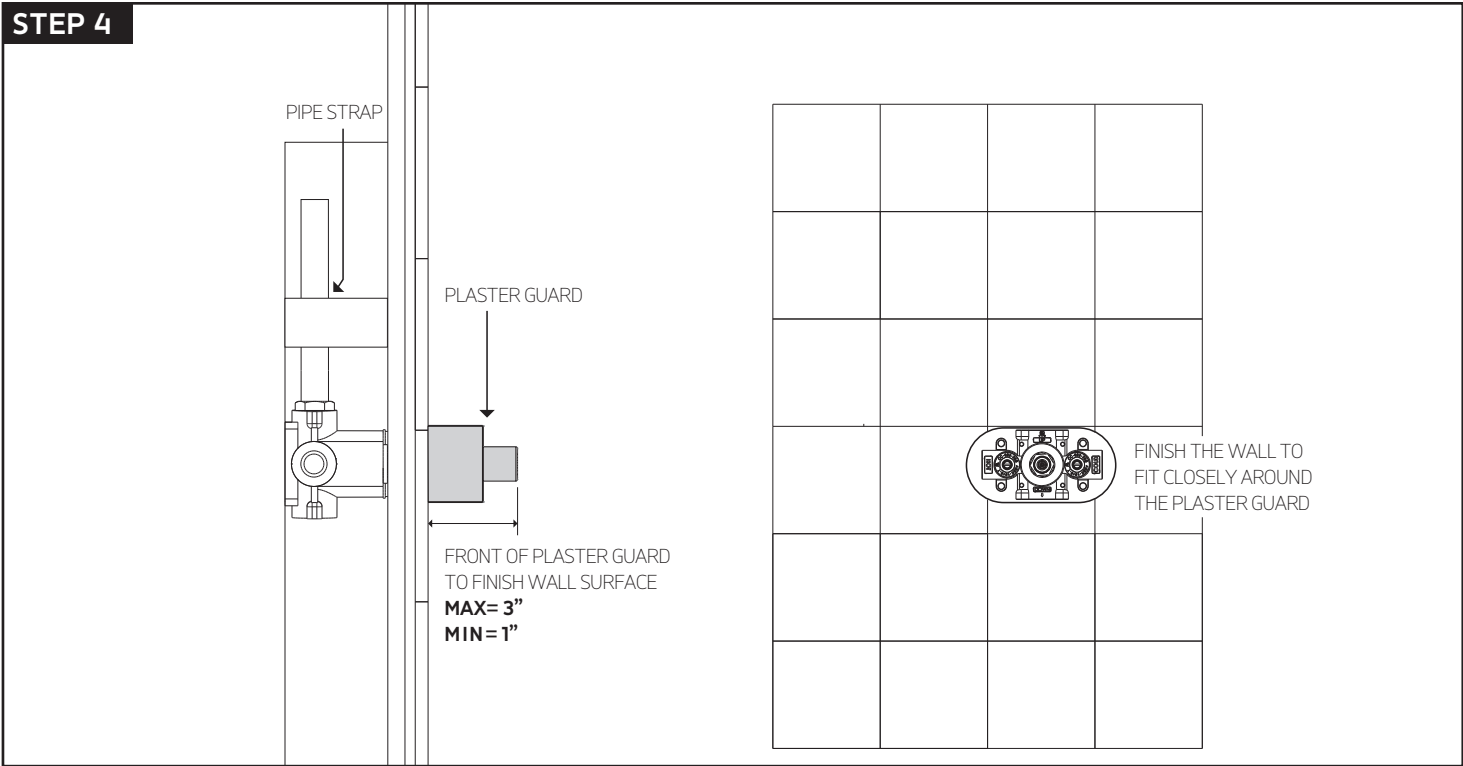


# INSTALLATION STEPS

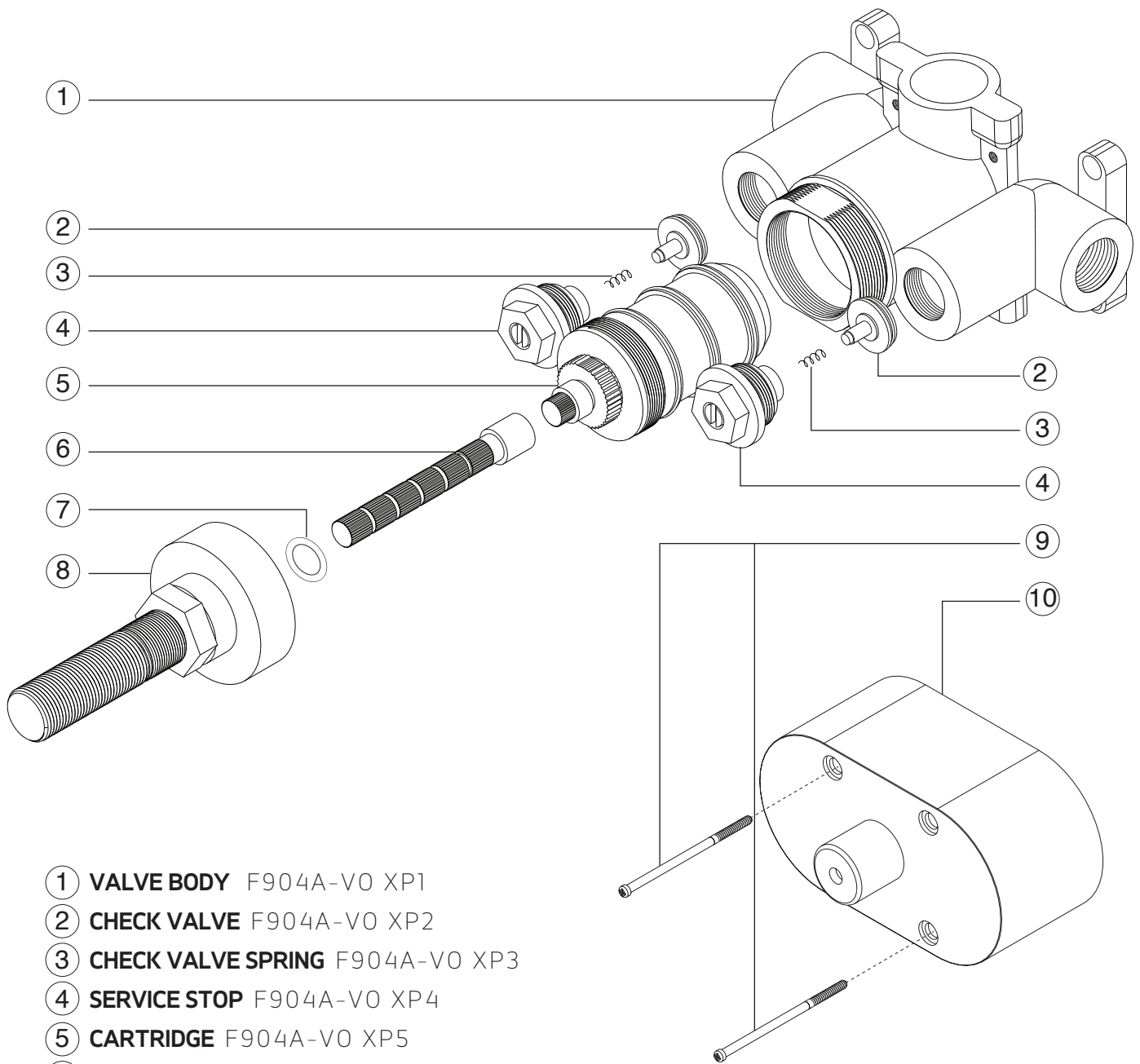
## STEP 3



## STEP 4



3/4" thermostatic valve only



- ① **VALVE BODY** F904A-V0 XP1
- ② **CHECK VALVE** F904A-V0 XP2
- ③ **CHECK VALVE SPRING** F904A-V0 XP3
- ④ **SERVICE STOP** F904A-V0 XP4
- ⑤ **CARTRIDGE** F904A-V0 XP5
- ⑥ **HANDLE STEM** F904A-V0 XP6
- ⑦ **STEM WASHER** F904A-V0 XP7
- ⑧ **ESCUTCHEON STEM** F904A-V0 XP8
- ⑨ **PLASTER GUARD SCREWS** F904A-V0 XP9
- ⑩ **PLASTER GUARD** F904A-V0 XP10

3/4" thermostatic valve only

For best results, keep the following in mind to retain the high quality finish of your artos<sup>®</sup> faucets:

- Use a soft, dampened sponge or cloth. On no account should you use an abrasive material such as a brush, scouring pad or steel wool to clean surfaces.
- Test your cleaning agent solution on an inconspicuous area before applying to the entire faucet.
- Wipe surfaces clean and rinse completely with water immediately after applying cleaning agent.
- An ideal cleaning technique is to rinse faucet thoroughly and blot dry any water from the surface after each use.

## LIMITED LIFETIME WARRANTY

UWRV/LPLW

UWRVIDXFVWDFDXIDFWXULWVWWTXDOLWDBDXIDFWXULVWDBUGUWRV  
IDXFVVDUVDUDWBUOLIDLWOBNDVDBDXIDFWXULFWVIRUDVORDVWRULLDO  
FRVXPBSXUFVHVRVLW7KVDUUDWDSSOLMWRLVWDOODWLRVLW86DDGDGFR  
TRUWRHLFDRPPHFLDO,8VWULDORUEXVLMVXVMDUBUUDWBRUDSHLRBIREUIURP  
WRULLDOGBWRISXUFVH

7KVDUUDWLVWRWUDVHDEOBBSSOLMFOXLWWRWRULLDORHRUVH ,IDFWLV  
IRX8ULRUPDOXVHWRVLOODWLVWBFWLRUSDLUUSODFRUPDNBSSURSULDWBBIXVWPW  
DPDFDXVDFFLVPLVXVBEXVHPSURSHLVWDOODWLRRRUDOWHDWLRLOORLWBUUDW  
7KVDUUDWBRMRWFRMUSODFPM/SDUWVKBPDEVFDXVBRUPDOBUUDWBU  
/DERUFUMLVWDOODWLRRRURWKLFLVMDORUFRVXW/LDOFRVWVLOORWEFRMB

580DFPM/SDUWVWVWWTXDOLIIRUDUUDWUSDLUFDEREWDLEFRWDFWLWWRVDW  
5726RUEFDLWLRDUWRVXVFRP3URRIRISXUFVWRULLDOVDOMUFLSWIURPWK  
RULLDOFRVXPBSXUFVHPXWDFFRPSDDOODUUDWFODLPV:KXEPLWVLRXUFODLP L  
ULWLSOVBURVEXUDPBGWVDOVBRMPEH

3 0 H D V H U H L V W H U W K L V S W R G I E H D W : : : 5 7 2 6 8 6 2 0

, WP 1 RK **F 90 A-**  
r i æ | P [ K