

# artos<sup>®</sup>

## F301-6

## INSTALLATION GUIDE

otella in wall lav faucet

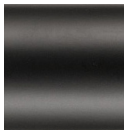
BRUSHED NICKEL(BN)



CHROME(CH)



BLACK(BK)



# artos<sup>®</sup>

F301-6

## OPERATING SPECIFICATIONS

otella in wall lav faucet



### FEATURES

Integrated Control

### OPERATING PRESSURE

Minimum: 15 psi

Maximum: 75 psi

Above 90psi it may be necessary to install a pressure reducer

### OPERATING TEMPERATURE

Maximum: 176°

### FLOW RATE

1.2 USGPM

### APPROVALS

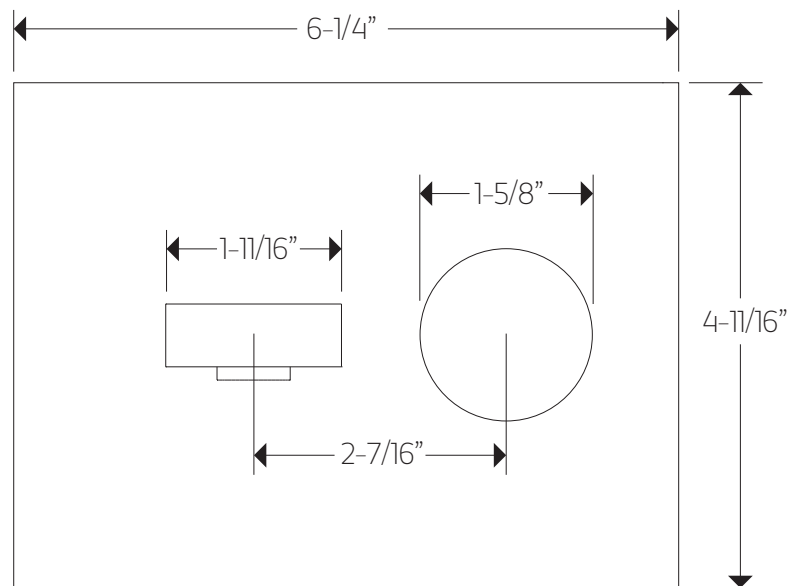
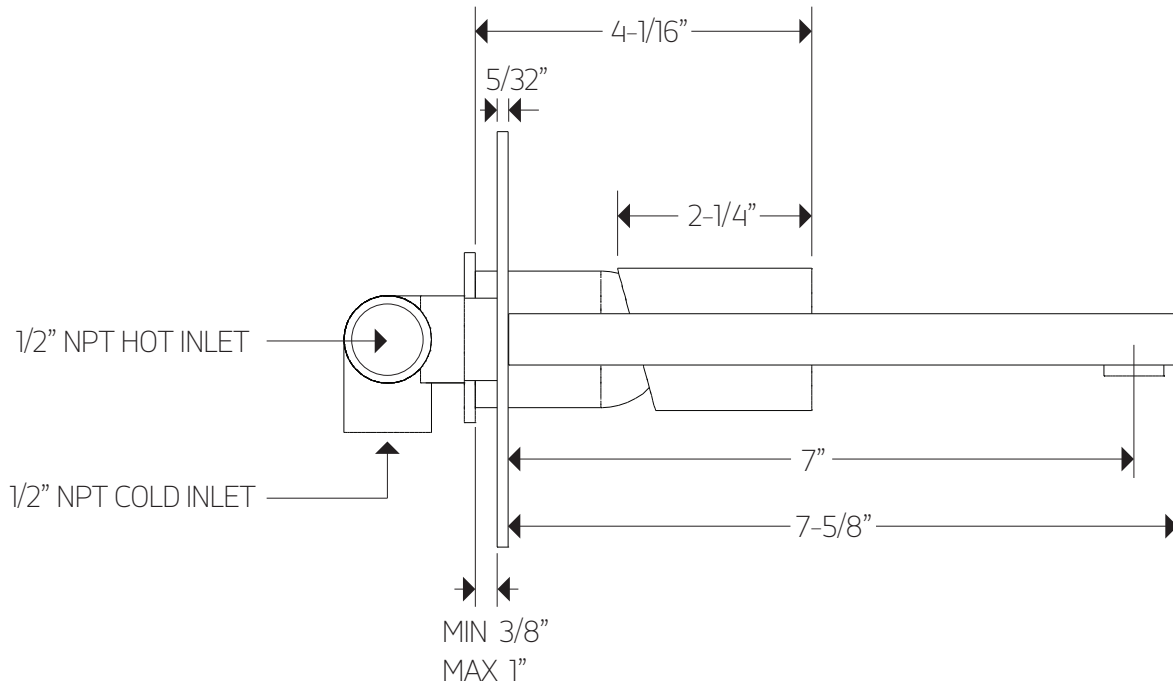


# artos<sup>®</sup>

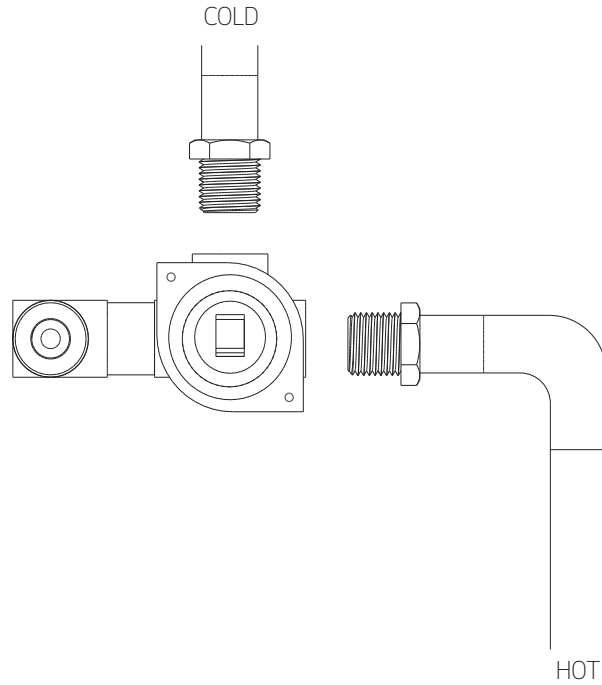
## F301-6

## PRODUCT DIMENSIONS

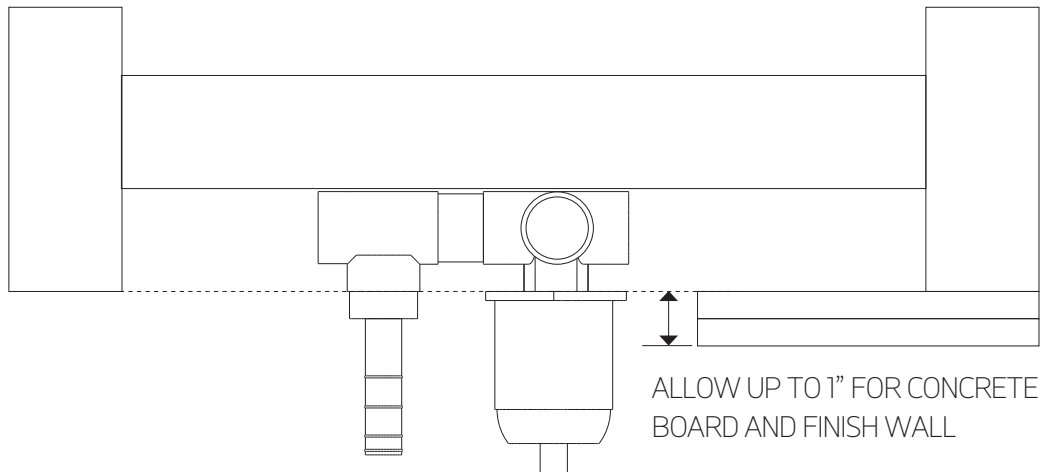
otella in wall lav faucet



### STEP 1

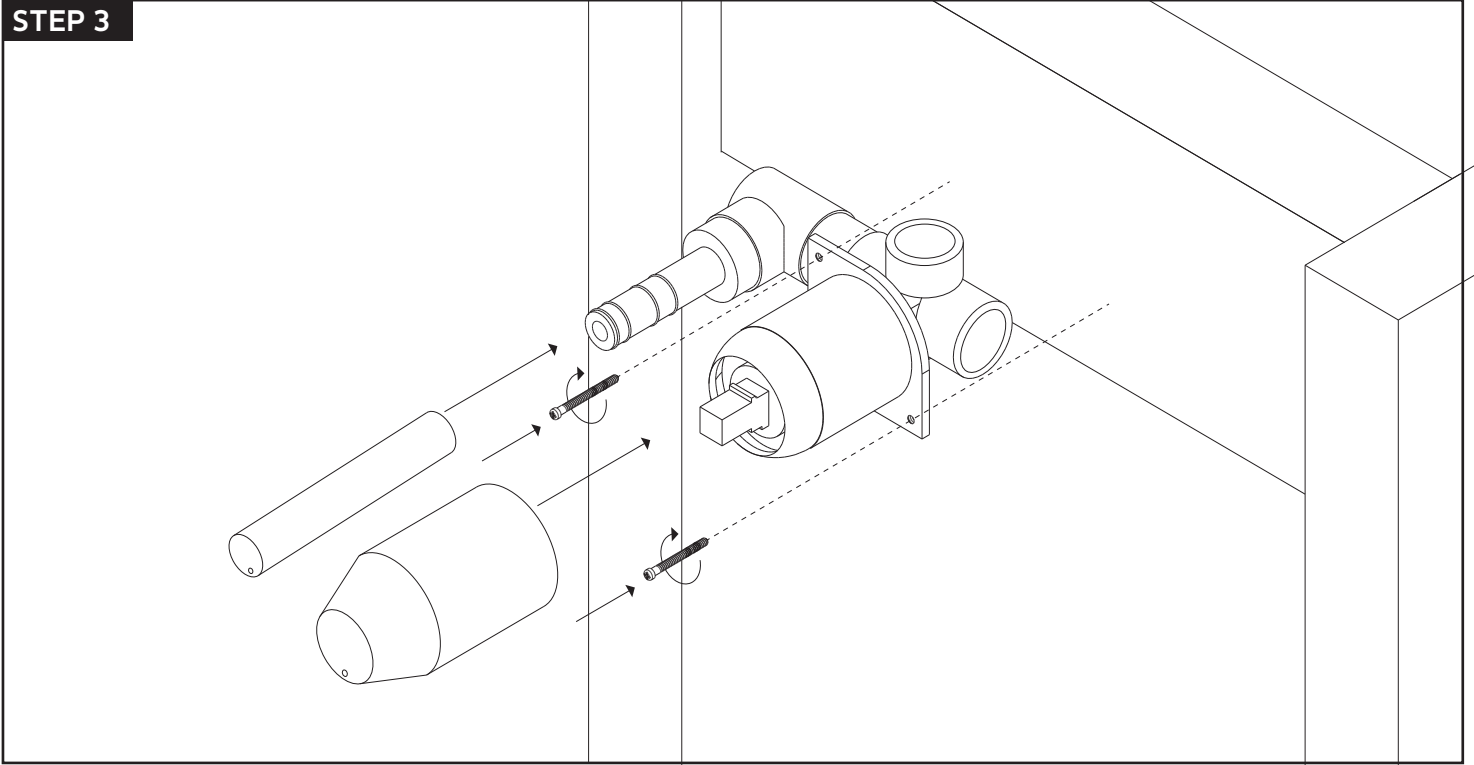


### STEP 2

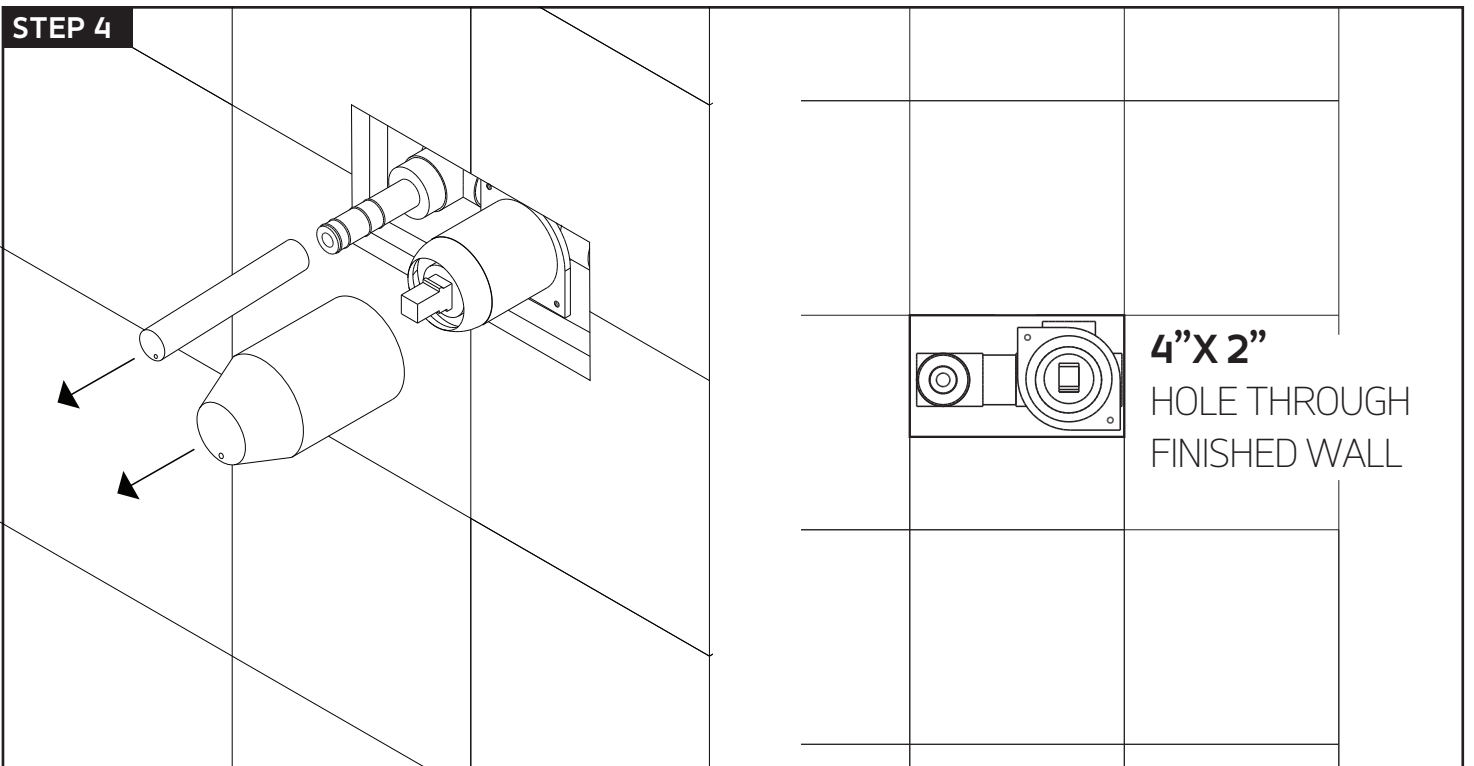


# INSTALLATION STEPS

## STEP 3



## STEP 4

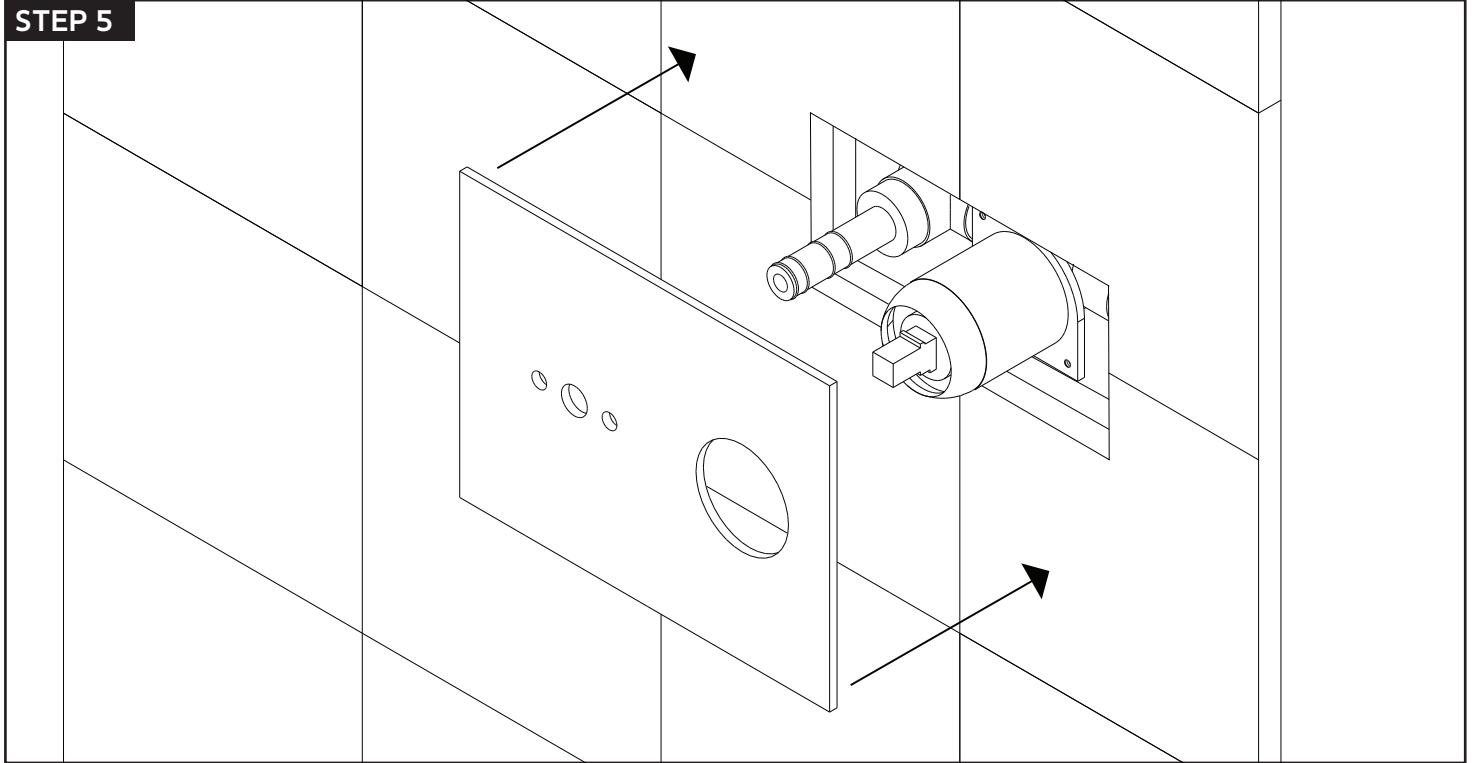


# artos<sup>®</sup>

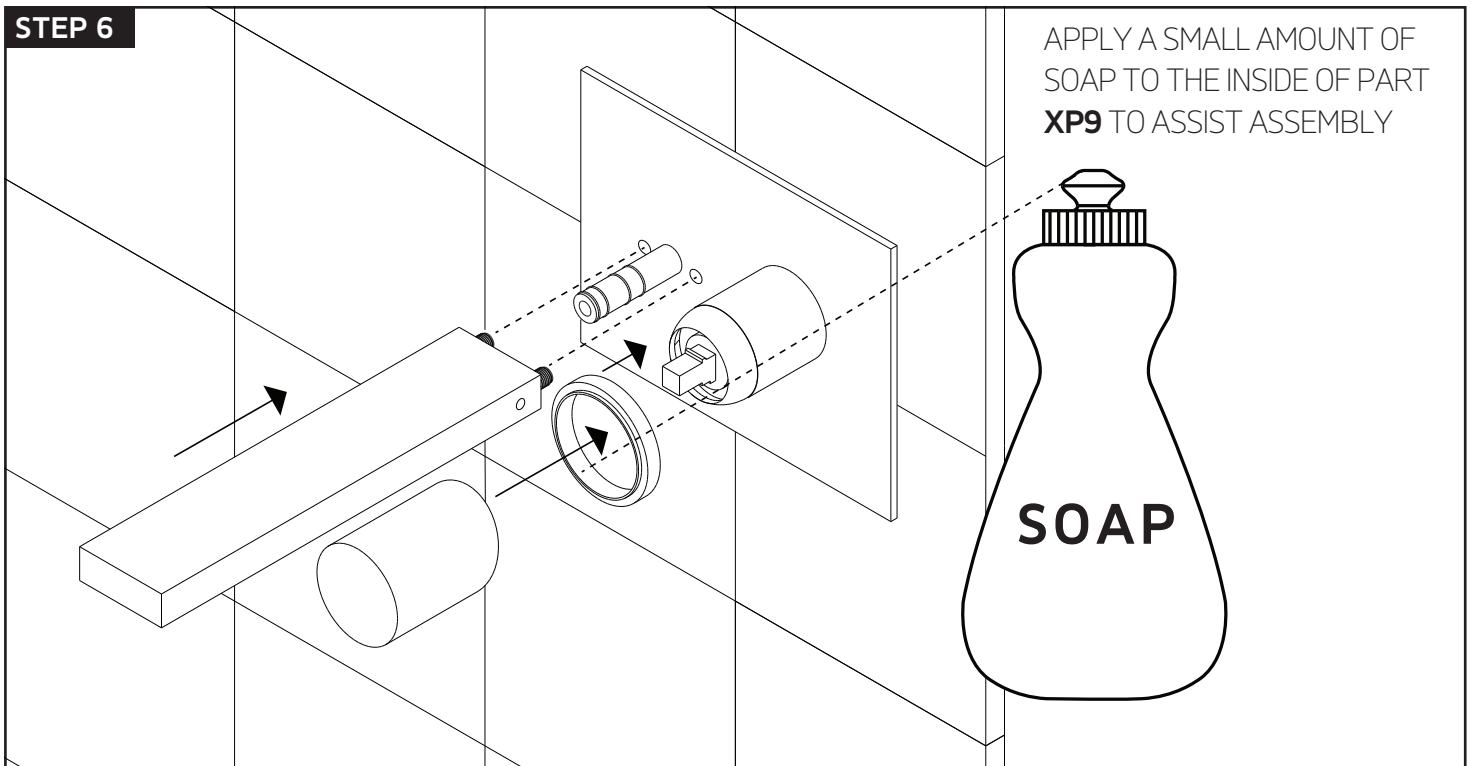
## F301-6

otella in wall lav faucet

**STEP 5**

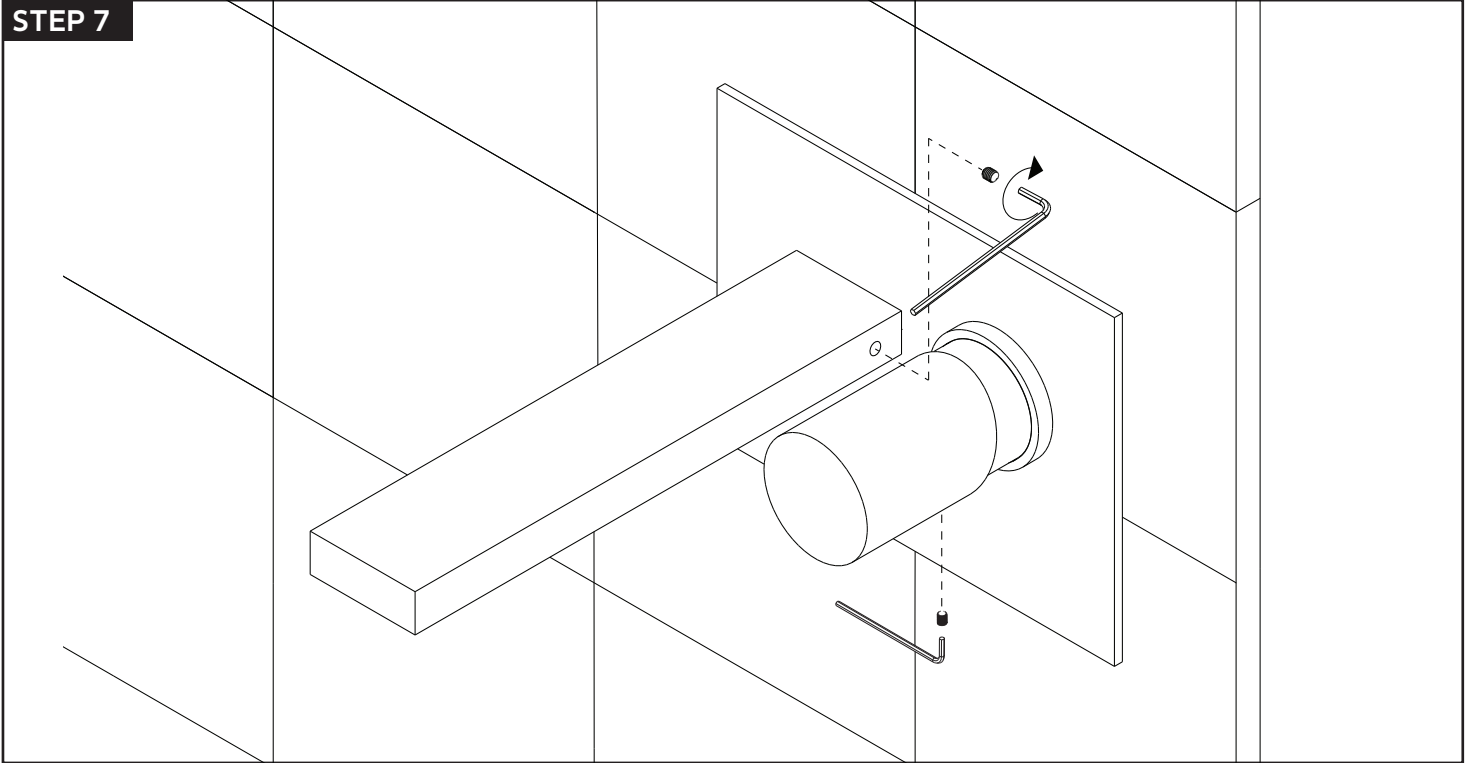


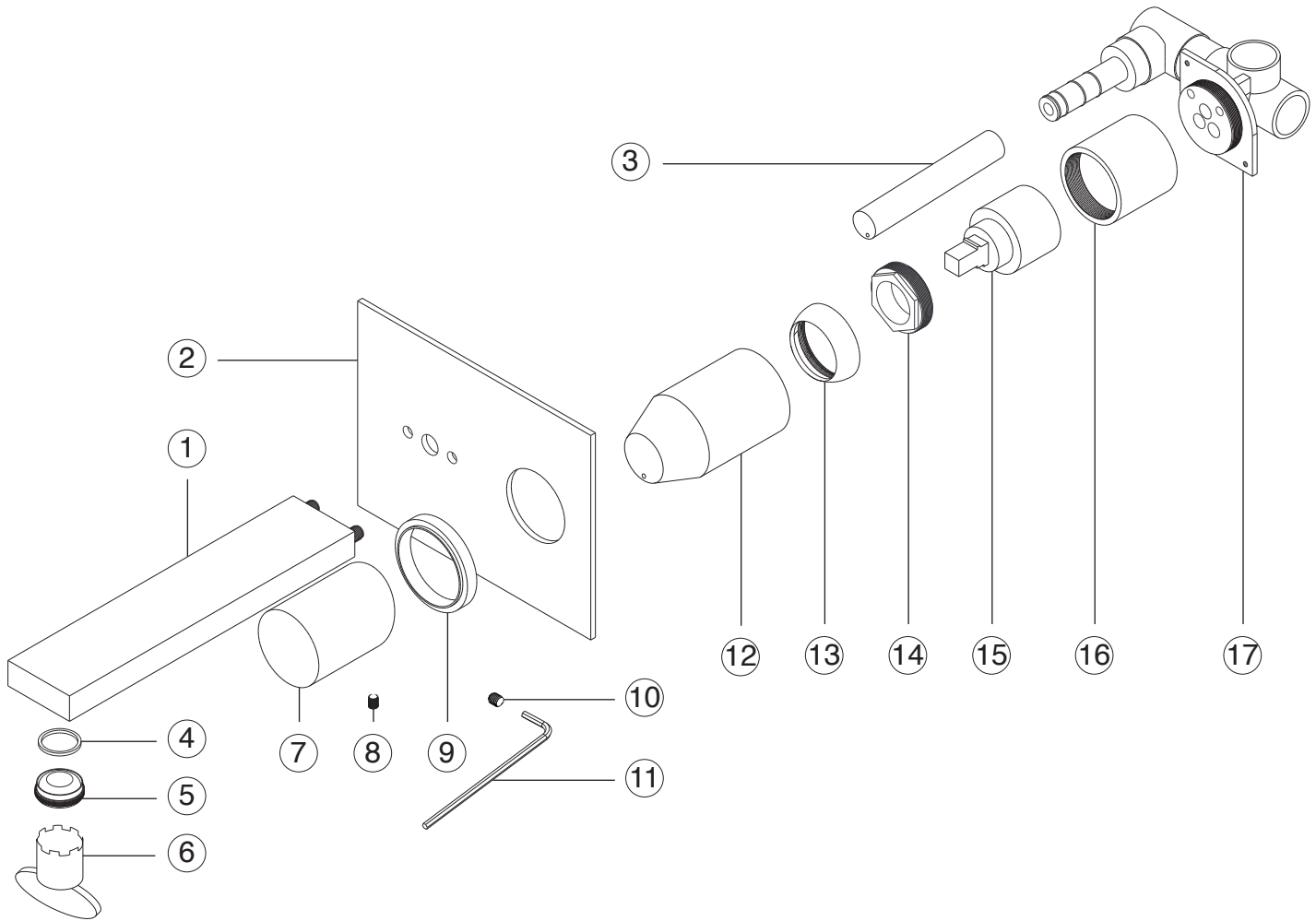
**STEP 6**



# INSTALLATION STEPS

## STEP 7





- ① **FAUCET SPOUT** F301-6 XP1
- ② **ESCUTCHEON PLATE** F301-6 XP2
- ③ **FAUCET STEM PLASTER GUARD** F301-6 XP3
- ④ **AERATOR WASHER** F301-6 XP4
- ⑤ **FAUCET AERATOR** F301-6 XP5
- ⑥ **AERATOR REMOVAL TOOL** F301-6 XP6
- ⑦ **CONTROL HANDLE** F301-6 XP7
- ⑧ **HANDLE SET SCREW** F301-6 XP8
- ⑨ **ESCUTCHEON SECURING RING** F301-6 XP9
- ⑩ **FAUCET SPOUT SET SCREW** F301-6 XP10
- ⑪ **ALLEN WRENCH** F301-6 XP11
- ⑫ **CARTRIDGE PLASTER GAURD** F301-6 XP12
- ⑬ **DRESS RING** F301-6 XP13
- ⑭ **CARTRIDGE SECURING NUT** F301-6 XP14
- ⑮ **CARTRIDGE** F301-6 XP15
- ⑯ **CARTRIDGE HOUSING** F301-6 XP16
- ⑰ **VALVE BODY** F301-6 XP17



otella in wall lav faucet

For best results, keep the following in mind to retain the high quality finish of your artos® faucets:

- Use a soft, dampened sponge or cloth. On no account should you use an abrasive material such as a brush, scouring pad or steel wool to clean surfaces.
- Test your cleaning agent solution on an inconspicuous area before applying to the entire faucet.
- Wipe surfaces clean and rinse completely with water immediately after applying cleaning agent.
- An ideal cleaning technique is to rinse faucet thoroughly and blot dry any water from the surface after each use.

### LIMITED LIFETIME WARRANTY

UWRLPLWHGLIHWLPH:DUUDW

UWRIDXFHWKDYHEHHPDXIDFWXUHGXGHUWKHKLKHWTXDOLWDGPDXIDFWXULWDGDUGUWR  
IDXFHWDUHXDUDWHHGIRUOLIHDDLWOHDNDGPDXIDFWXULGHIHFWIRUDORDWKHRULLDO  
FRXPUSXUFKDHURLW7KLDUUDWDSSOLHWRLWDOODWLRWKLH86DDGDDG0HLFR  
TRUWKPHULFDRPPHUFLO,GXWULDORUEXLHXHUUUDWHGIRUDSHULRGRIRHHUIURP  
WKHRULLDOGDWHRISXUFKDH

7KLDUUDWLRWUDIHUDEOHDGSSOLHHFOXLYHOWRWKHRULLDORHURUHGXHU ,IDGHIHFWL  
IRXGGXULRUPDOXHURLOODWLWHOFWLRUHSDLUUHSODFHRUPDNHDDSSURSULDWHDGMXWPHW  
DPDHFDXHGEDFFLGHWPLXHDEXHLPURSUSHULWDOODWLRUUDOWHWDWLRLOOYRLGWKHUUDW  
7KLDUUDWGRHRWFRYHUUHSODFHPHWSDUWKHUHGDPDHLFDXHGGERUPDOHDUDGWHDU  
DERUFKDUHLWDOODWLRURURWKHULFLGHWDORUFRHTXHWLDOFRWLOORWEHFRYHUHG

5HSODFHPHWSDUWWKDWTXDOLIIRUDUUDWUHSDLUFDEHREWDLHGFEFRWDFWLUWRDW  
5726RUEHPDL0DWLIRDURXFRP3URRIRISXUFKDHURULLDODOHUHFHLSWIUR PWKH  
RULLDOFRXPUSXUFKDHUPXWDFRPSDDOODUUDWFODLP:KHXEPLWWLRXUFODLP L  
ULWLSOHDHSURYLGHRXUDPHDGGUHDGWHOHSKRHXPEHU

3 0 H D H U H L W H U W K L S R U @ I G X I F D W W : : : 5 7 2 6 8 6 2 0

, V e m N F 3 0 1 - 6  
r