

artos

F906A-8TK

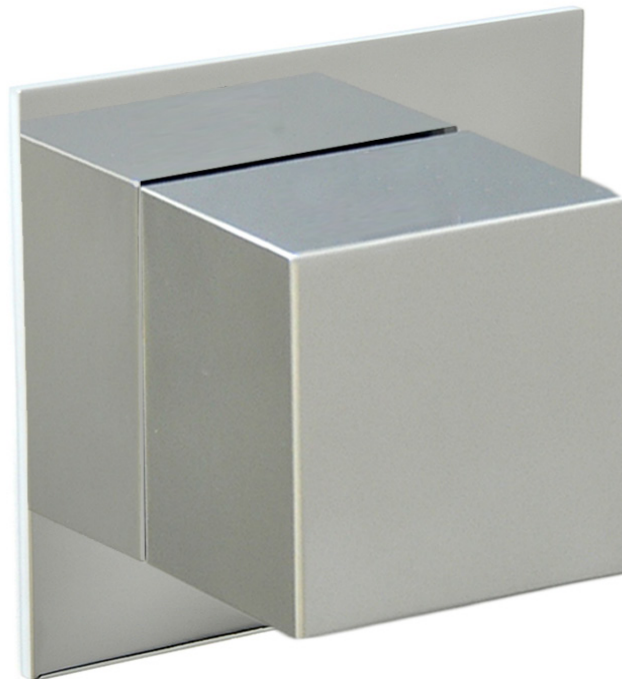
INSTALLATION GUIDE

volume control trim kit only
squ

BRUSHED NICKEL(BN)



CHROME(CH)



artos

F906A-8TK

volume control trim kit only
squ

OPERATING SPECIFICATIONS

for associated valve | F906A-V0 or F906A34-V0



OPERATING PRESSURE

Minimum: 10 psi
Maximum: 125 psi

FLOW CAPACITY

(F906A-V0) 5.6USGPM@60 psi
or
(F906A34-V0) 7.1USGPM@60 psi

INLET/OUTLET

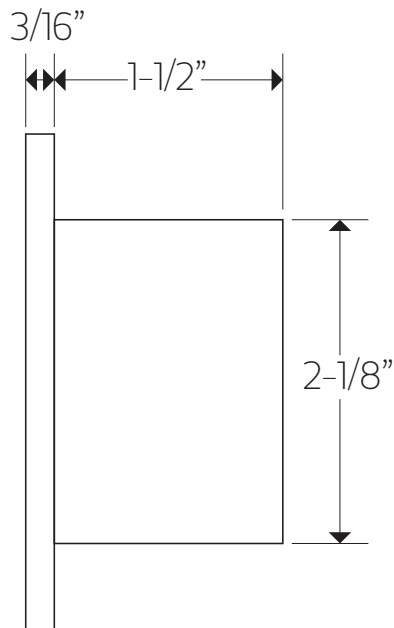
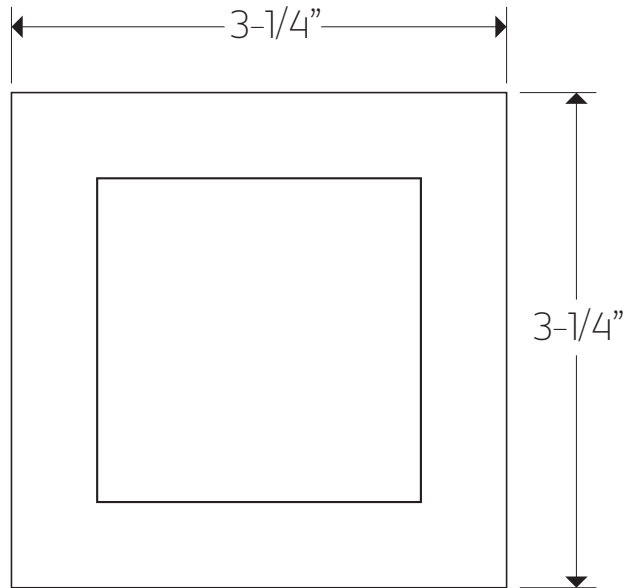
(F906A-V0) 1/2" Female NPT
or
(F906A34-V0) 3/4" Female NPT

artos

F906A-8TK

PRODUCT DIMENSIONS

volume control trim kit only
squ

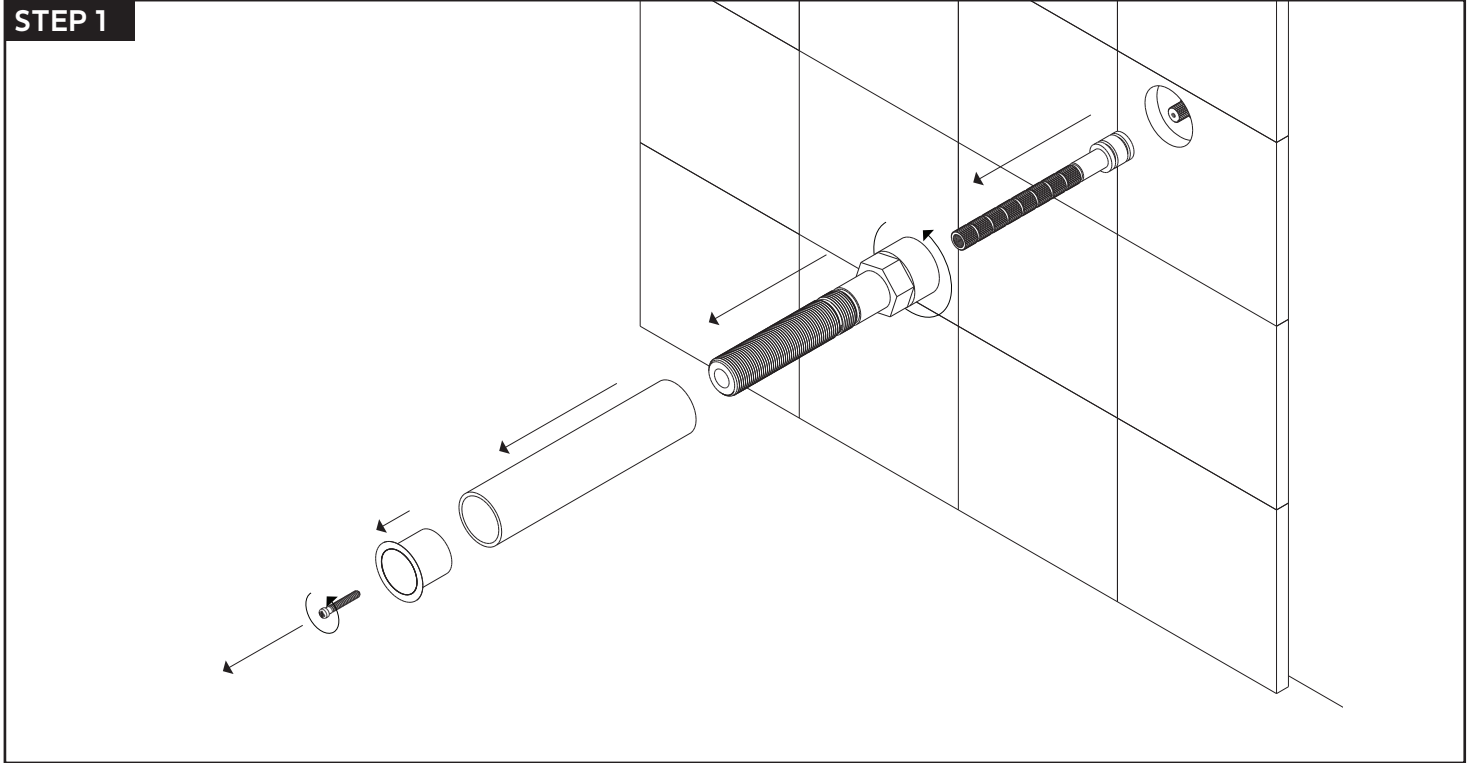


artos

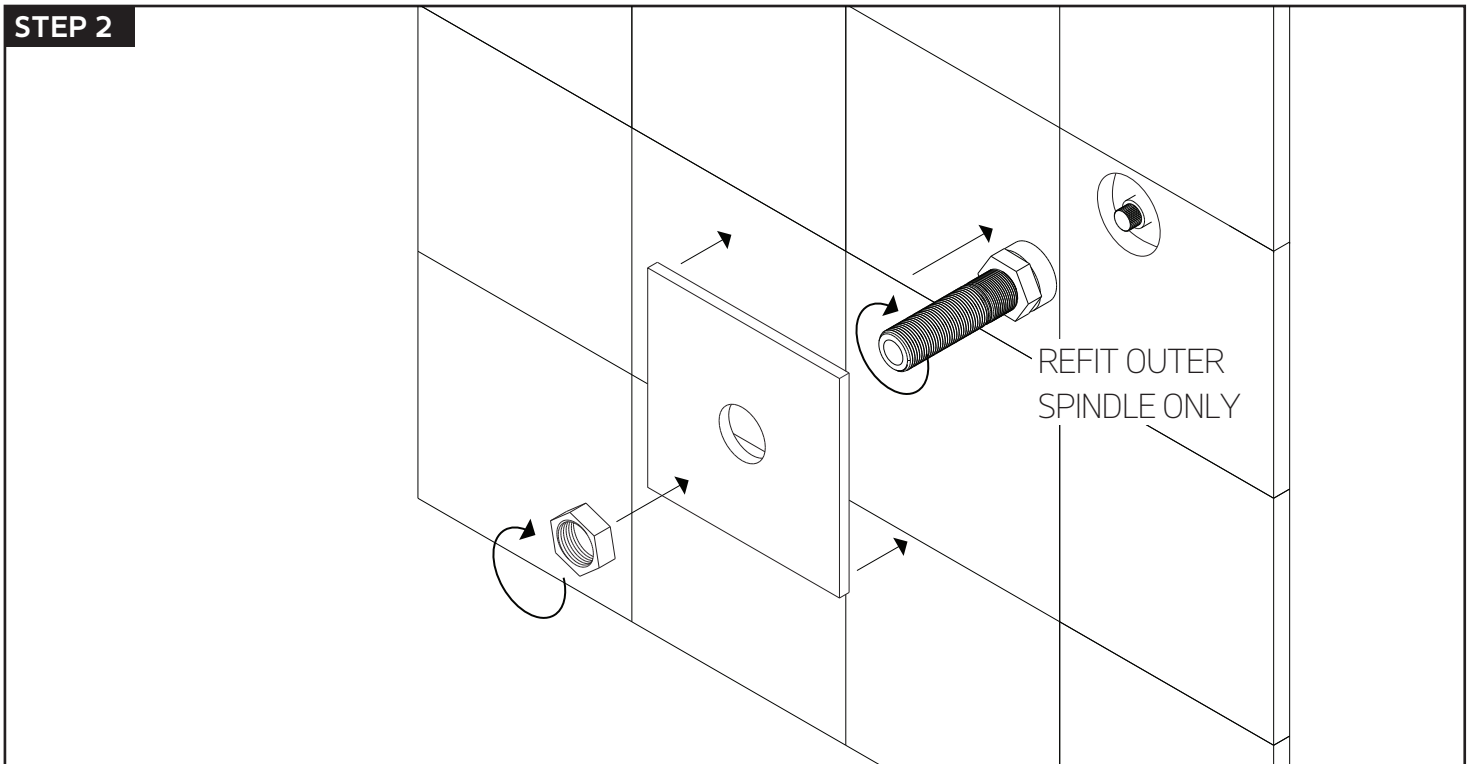
F906A-8TK

volume control trim kit only
squ

STEP 1

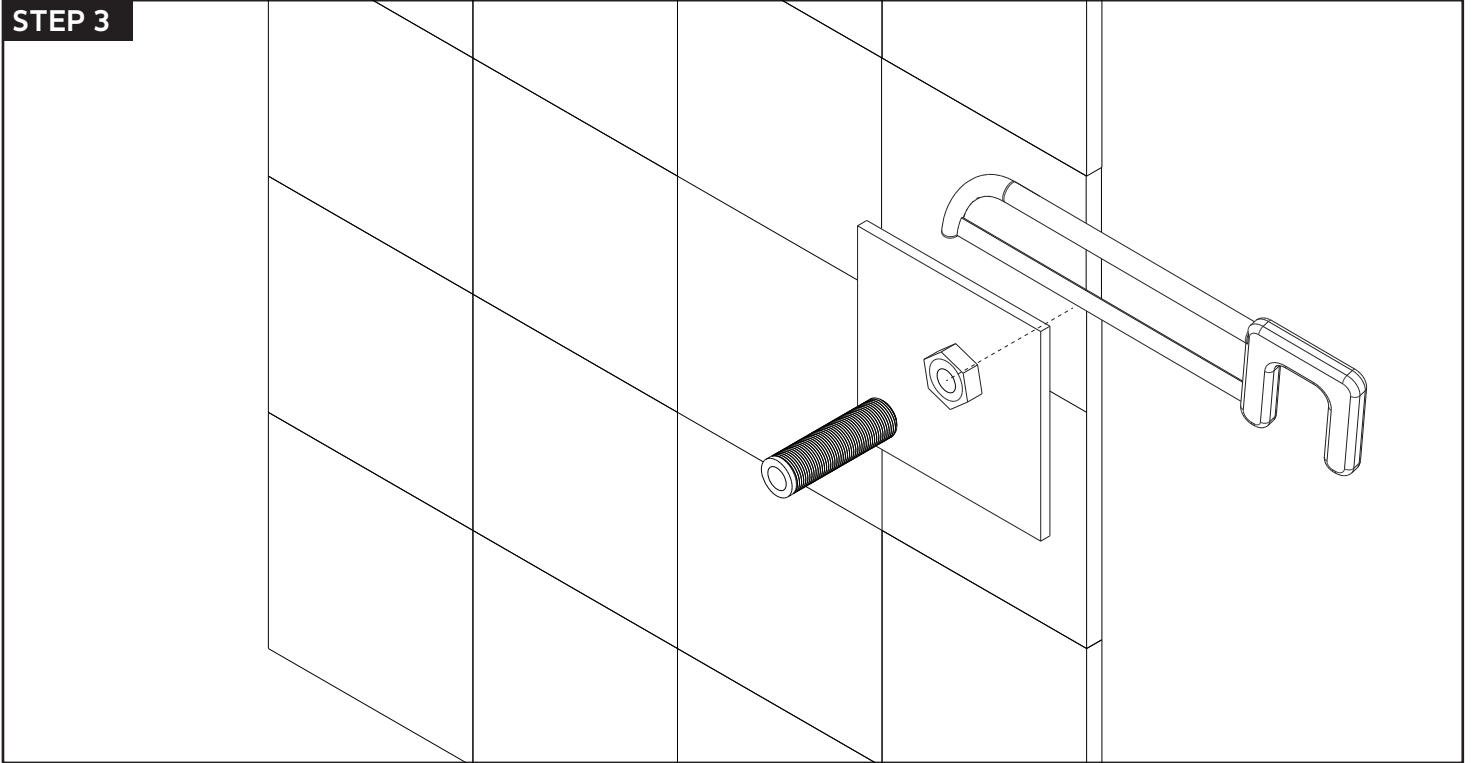


STEP 2

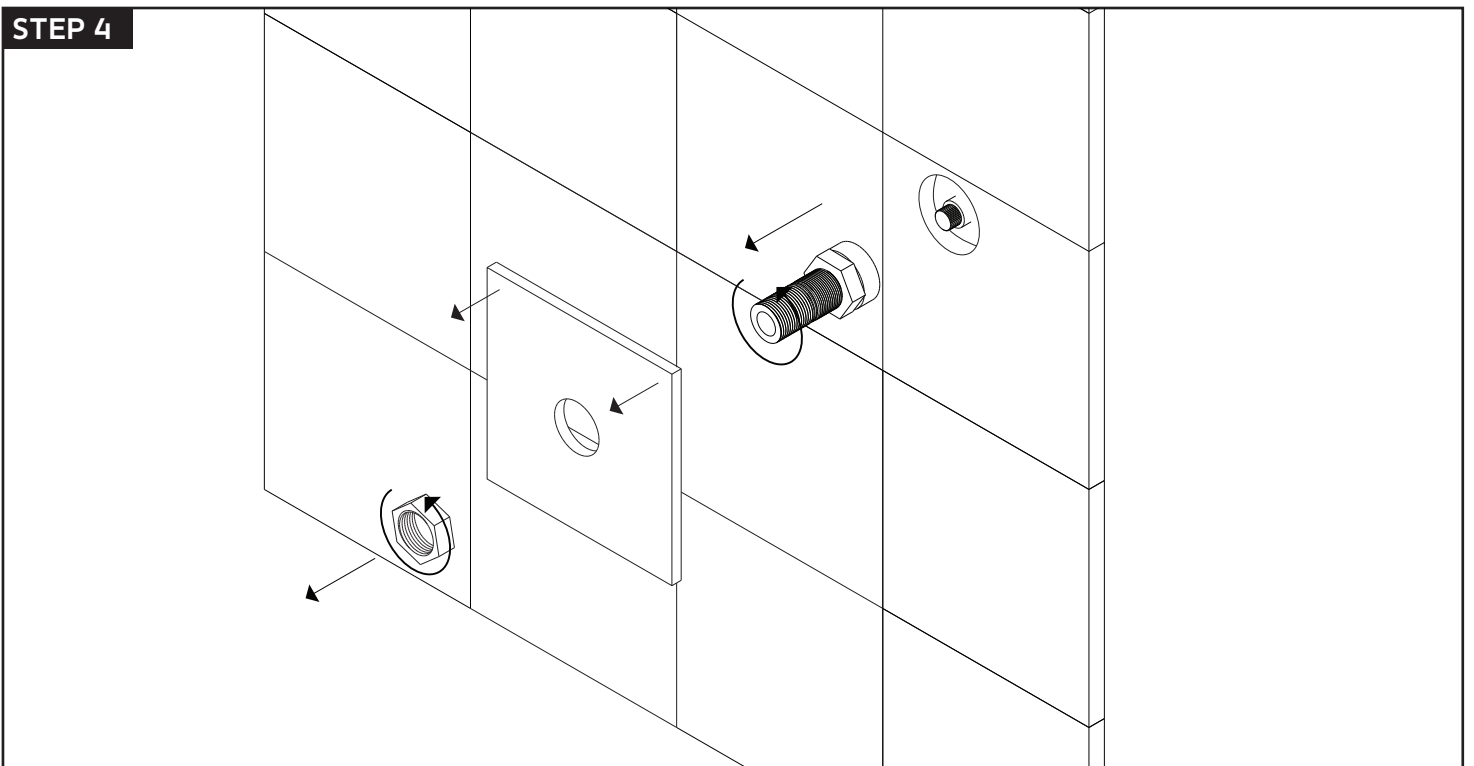


INSTALLATION STEPS

STEP 3



STEP 4

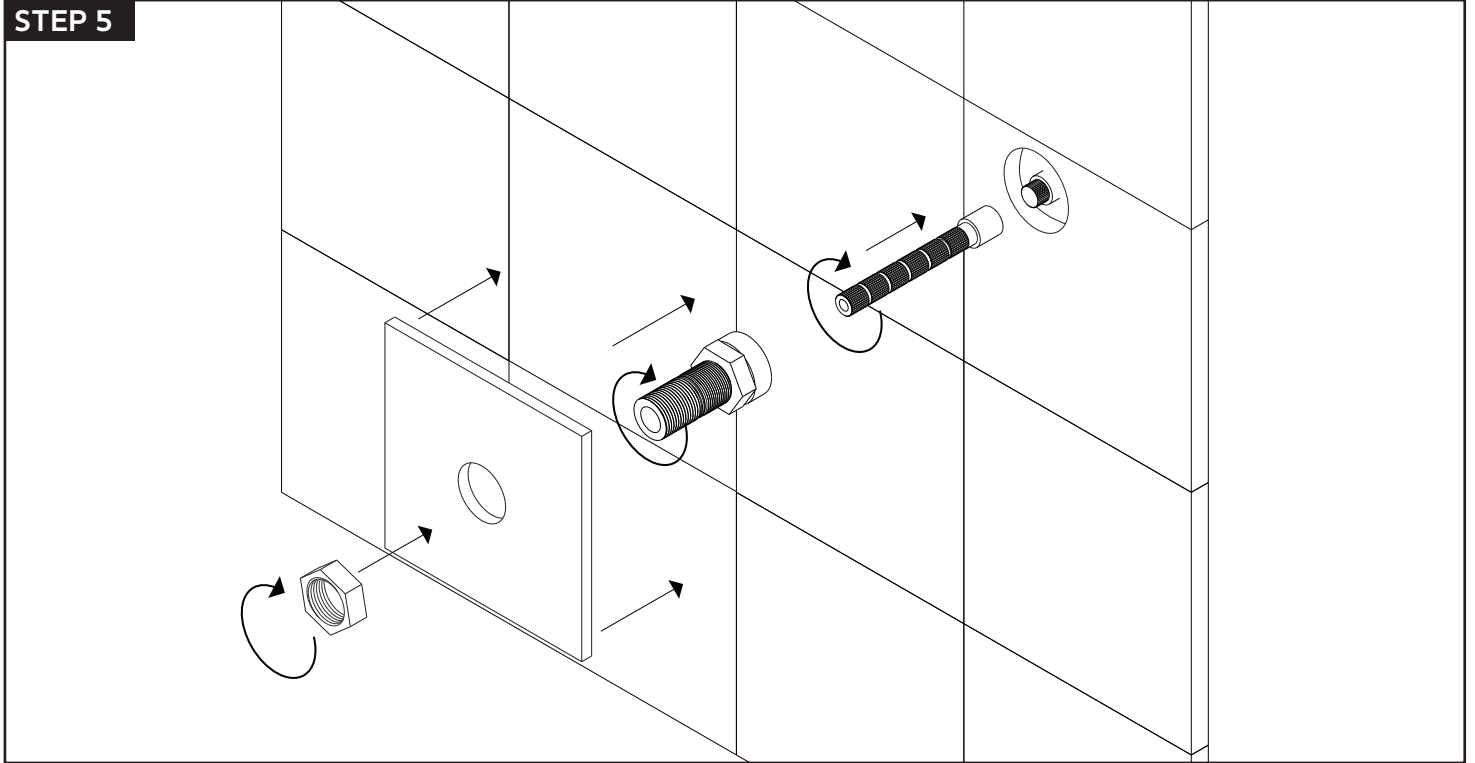


artos

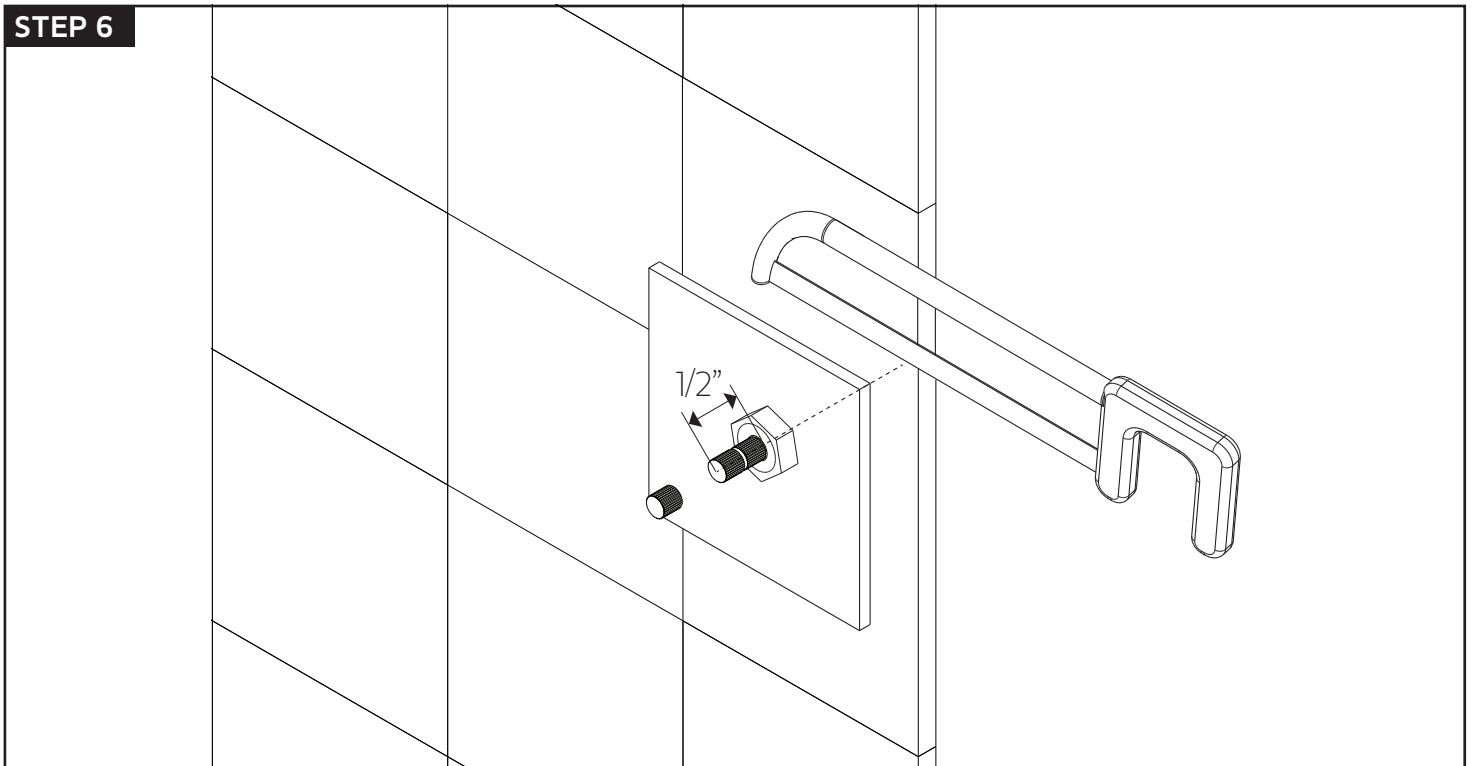
F906A-8TK

volume control trim kit only
squ

STEP 5

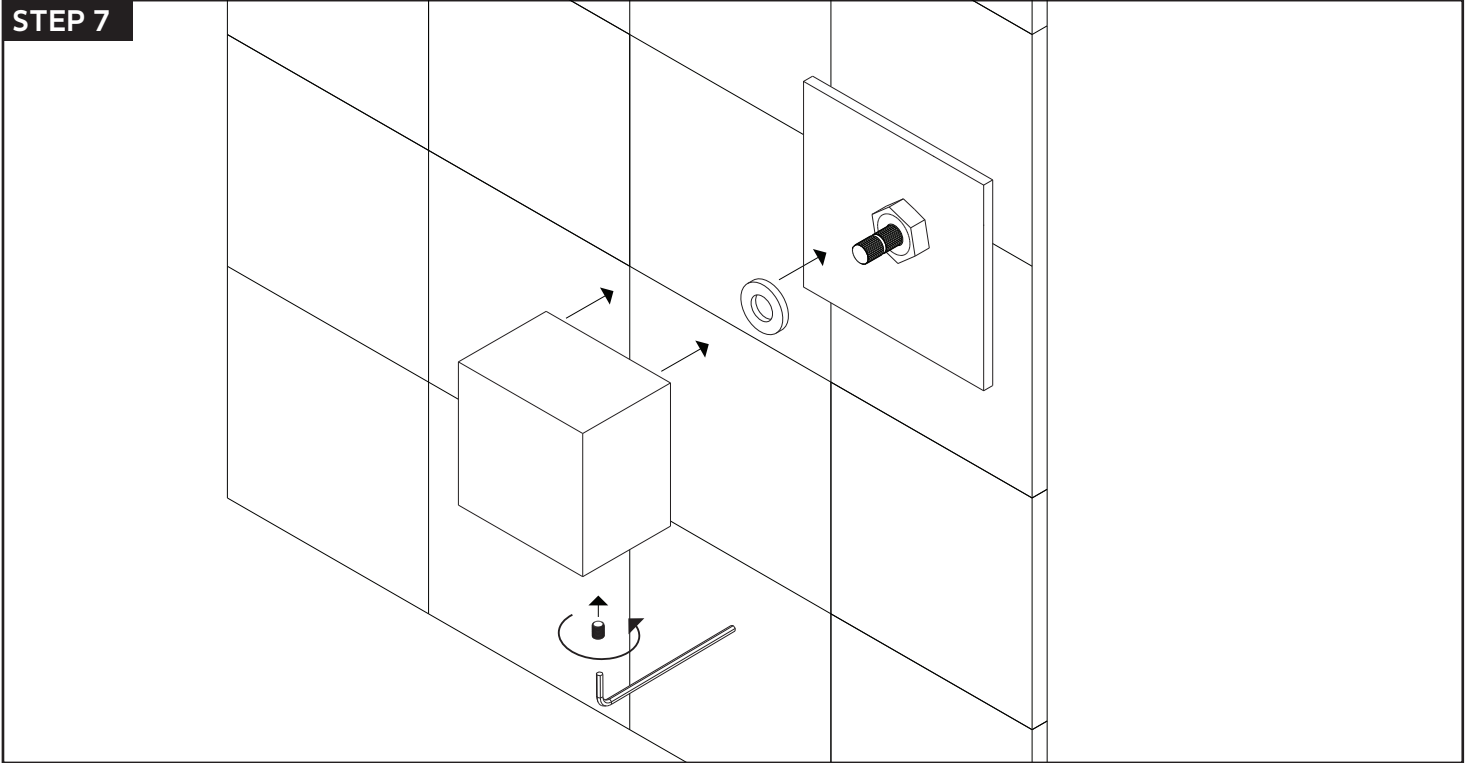


STEP 6



INSTALLATION STEPS

STEP 7

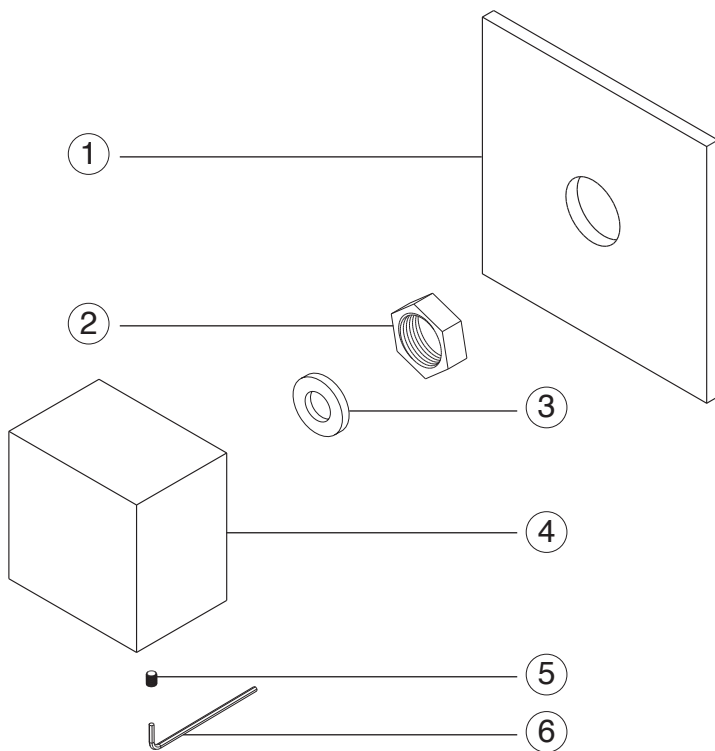
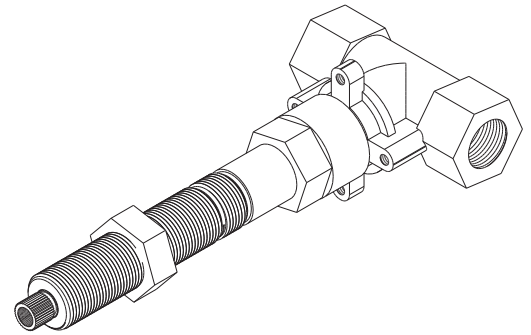


artos

F906A-8TK

PARTS BREAKDOWN

volume control trim kit only
squ



- ① **ESCUTCHEON** F906A-8TK XP1
- ② **LOCKING NUT** F906A-8TK XP2
- ③ **NYLON WASHER** F906A-8TK XP3
- ④ **HANDLE** F906A-8TK XP4
- ⑤ **SET SCREW** F906A-8TK XP5
- ⑥ **ALLEN WRENCH** F906A-8TK XP6

artos

F906A-8TK

volume control trim kit only
squ

CARE & MAINTENANCE

For best results, keep the following in mind to retain the high quality finish of your artos® faucets:

- Use a soft, dampened sponge or cloth. On no account should you use an abrasive material such as a brush, scouring pad or steel wool to clean surfaces.
- Test your cleaning agent solution on an inconspicuous area before applying to the entire faucet.
- Wipe surfaces clean and rinse completely with water immediately after applying cleaning agent.
- An ideal cleaning technique is to rinse faucet thoroughly and blot dry any water from the surface after each use.

LIMITED LIFETIME WARRANTY

UWRV/LPLWHG/LIHWLPH:DUUDW

UWRVIDXFHWWKDYHEHHPDXIDFWXUHGXGHUWKHKLKHVWTXDOLWDGPDXIDFWXULVWDGDUGVUWRV
IDXFHWWVDUHXDUDWHHGIRUOLIHDDLWOHDNDVDGPDXIDFWXULGHIIHFWVIRUDVORDVWKHRULLDO
FRVXPHUSXUFKDVHURVLW7KLVDUUDWDSSOLHVVRLVWDOODWLRVLWKH86DDGDG0HLFR
TRUWKPHULFDRPPHUFLLDO,GXVWULDORUEXVLHVXVHVVDUHDUUDWHGIRUDSHULRGRIRHHDUIURP
WKHRULLDOGDWHRISXUFKDVH

7KLVDUUDWLVRWUDVIHUDEOHDGDSSOLHVHFOXVLYHOWRWKHRULLDORHURUHGXVHVHJGHIHFWLV
IRXGGXULRUPDOXVHUWRVLOODWLWVHOHFWLRUHSDLUHSODFHRUPDNHDDSSURSULDWHDGMXVWPHW
DPDHFDXVHGDFLLGHVPLVXVHDEXVHLPSURSHULVWDOODWLRRUDOWHUDWLRLOOYRLGWKHUUDW
7KLVDUUDWGRHVRWFRYHUHSODFHPHWSDUWVKHUHGDPDHLVFDXVHGERUPDOHDUDGWHDU
/DERUFKDUHVLVWDOODWLRURURWKHULFLGHWDORUFRVHTXHWLDOFRVWVLOORWEHFRYHUHG

5HSODFHPHWSDUWVWKDWTXDOLIIRUDUUDWUHSDLUFDEHREWDLHGFRWDFWLWUWRVDW
5726RUEHPDLODWLIRDUWRVXVFRP3URRIRISXUFKDVHRULLDOVDHUVHFLSWIURPWKH
RULLDOFRVXPHUSXUFKDVHUPXVWDFRPSDDOODUUDWFODLPV:KHVXEPLWLRXUFODLR
ULWLSOHDVHSURYLGHRXUDPHDGGUHVVDGWHOHSKRHXPESHU

3 0 H D V H U H L V W H U W K W R S U R I G D X W : : : 5 7 2 6 8 6 2 0

, W H P 1 R F 9 0