

artos

F909A-6TK

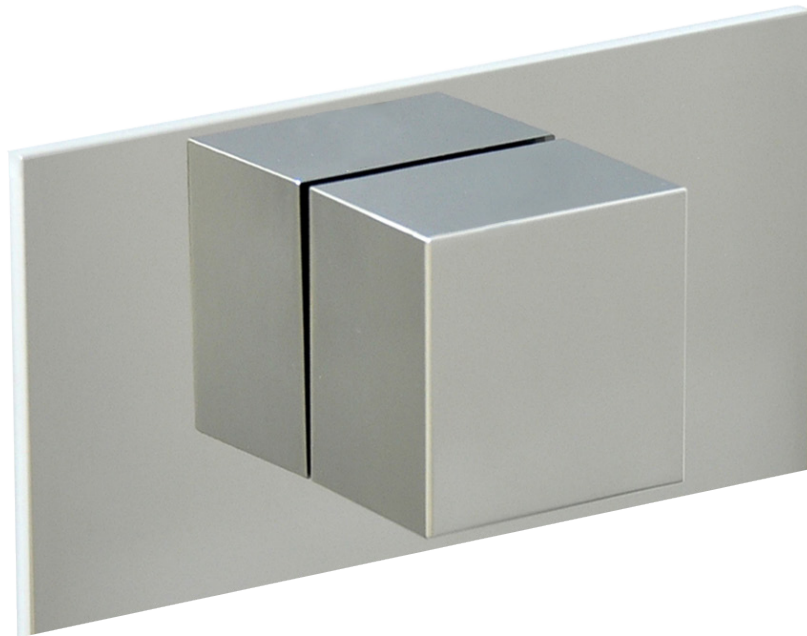
INSTALLATION GUIDE

3-way diverter trim kit only
squ+letterbox

BRUSHED NICKEL(BN)



CHROME(CH)



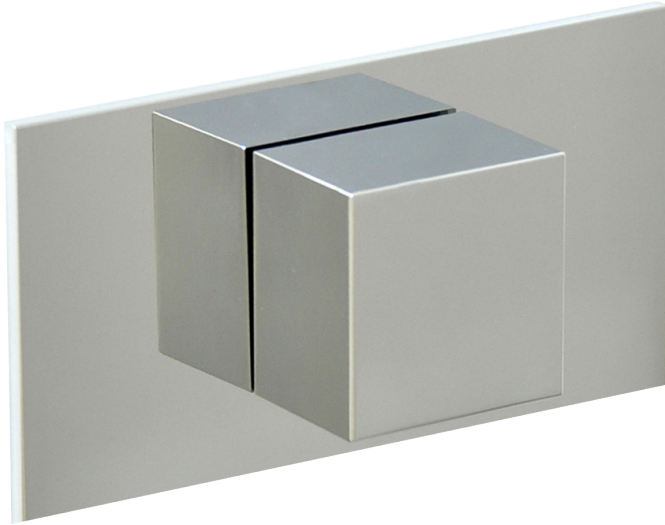
artos

F909A-6TK

3-way diverter trim kit only
squ+letterbox

OPERATING SPECIFICATIONS

for associated valve | F909A-V0



OPERATING PRESSURE

Minimum: 20 psi

Maximum: 125 psi

Recommended: 30-95 psi

FLOW CAPACITY

6.9USGPM@60 psi

INLET/OUTLET

(3) 1/2" Female NPT

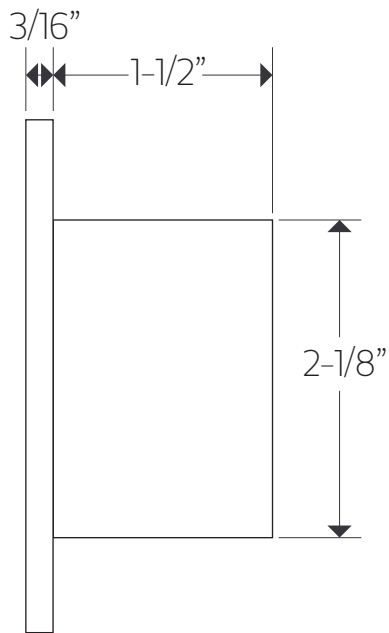
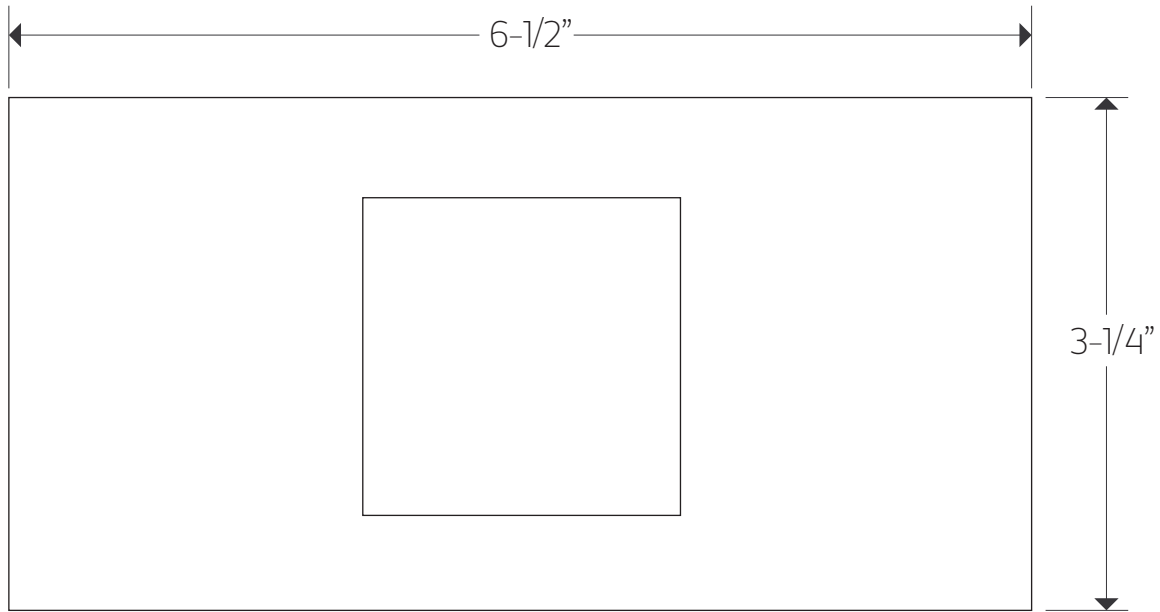
(1) 1/2" Female NPS

artos

F909A-6TK

PRODUCT DIMENSIONS

3-way diverter trim kit only
squ+letterbox

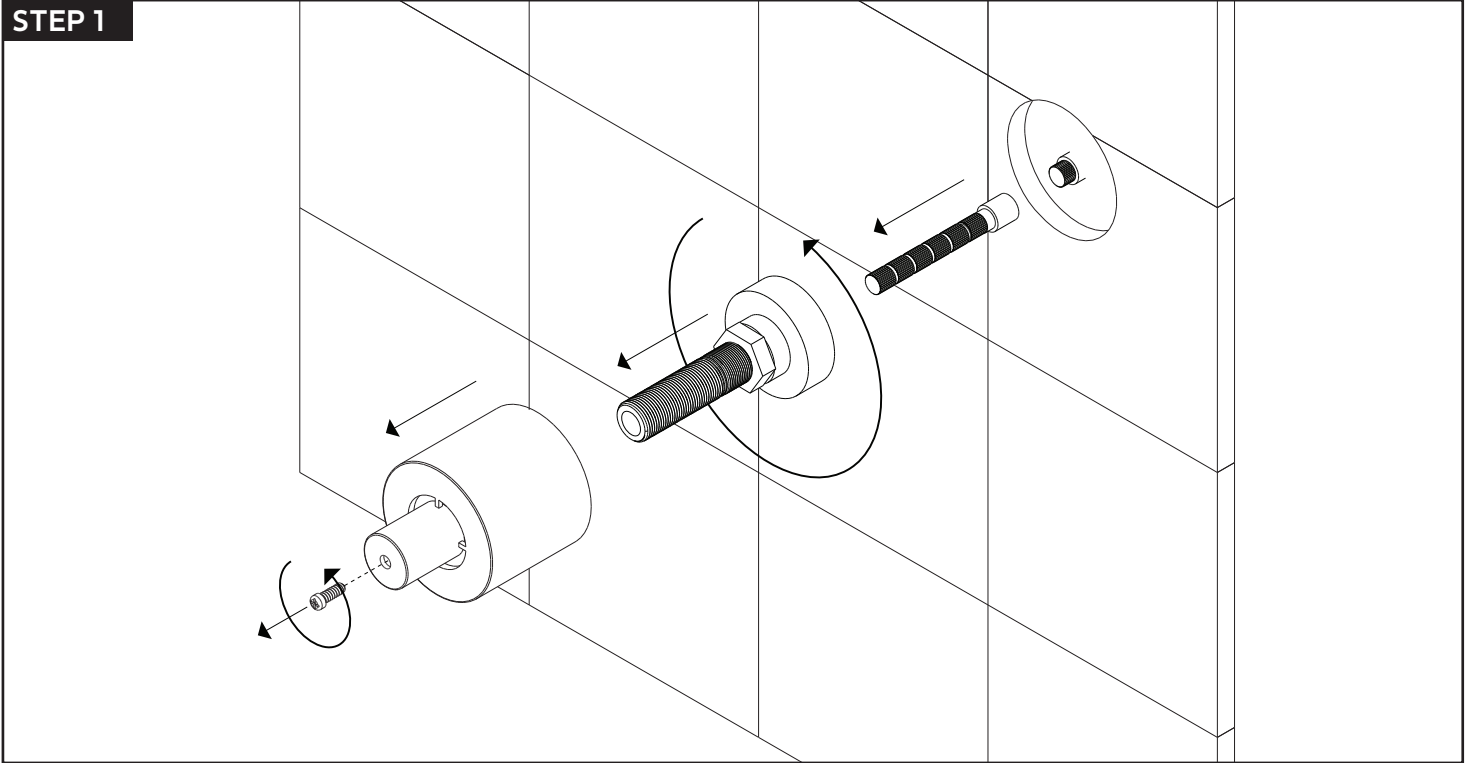


artos

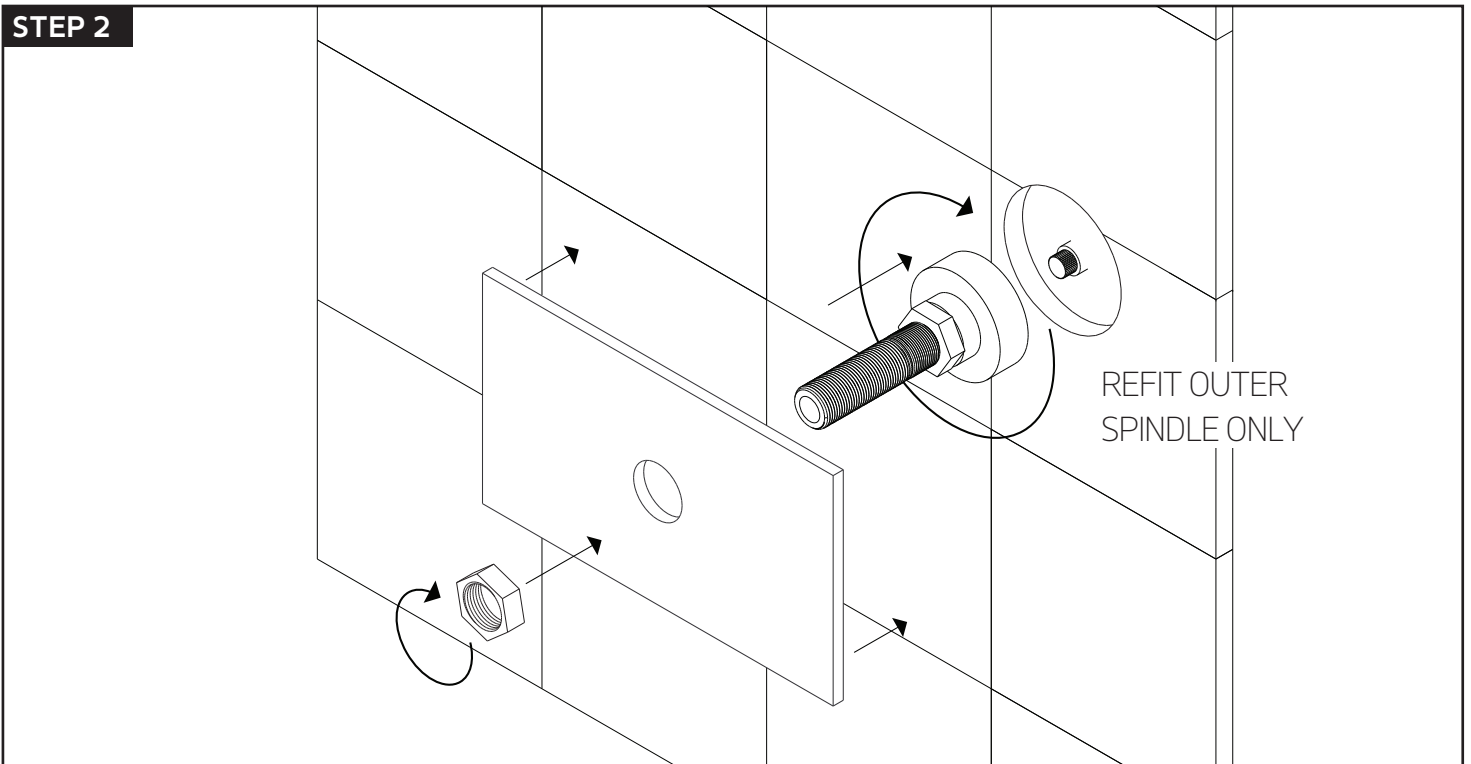
F909A-6TK

3-way diverter trim kit only
squ+letterbox

STEP 1

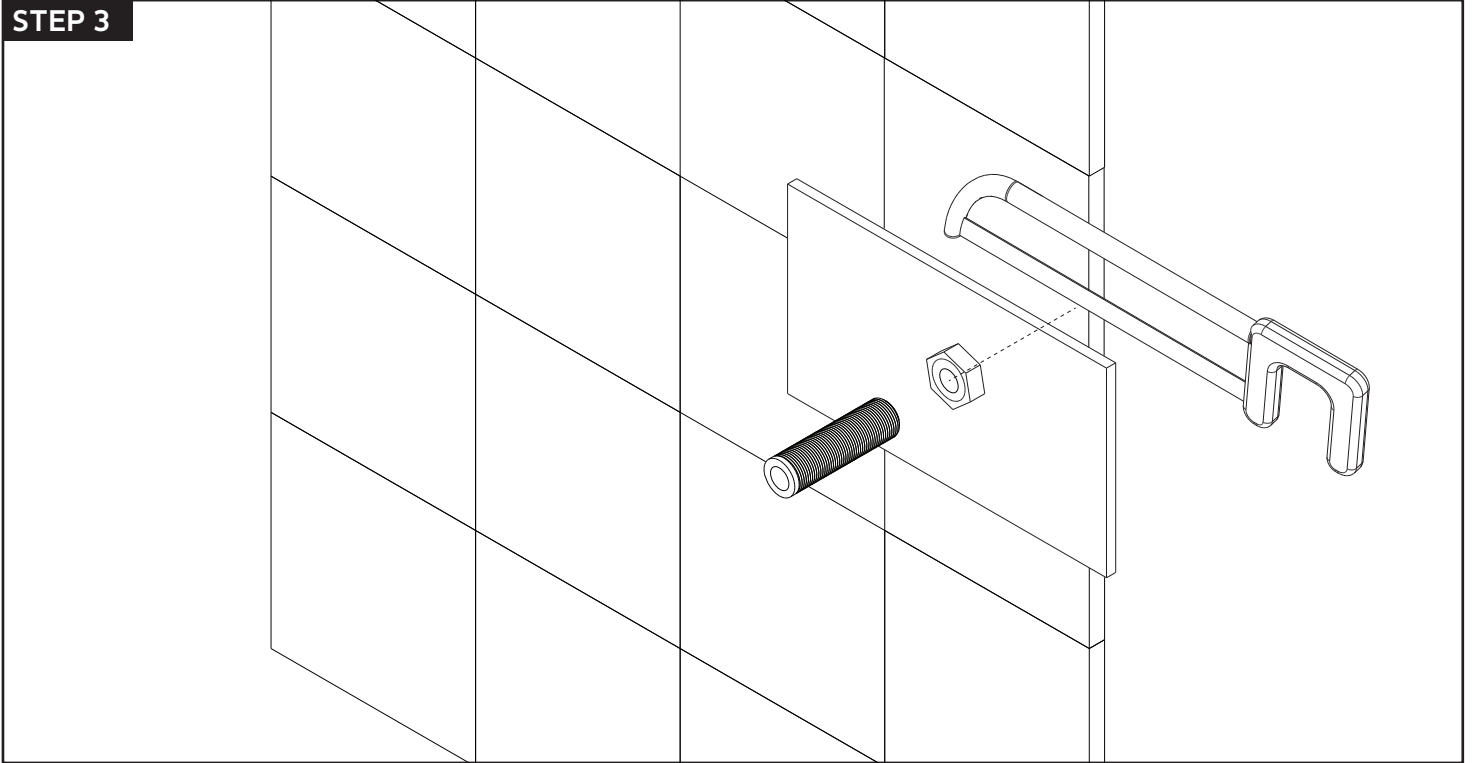


STEP 2

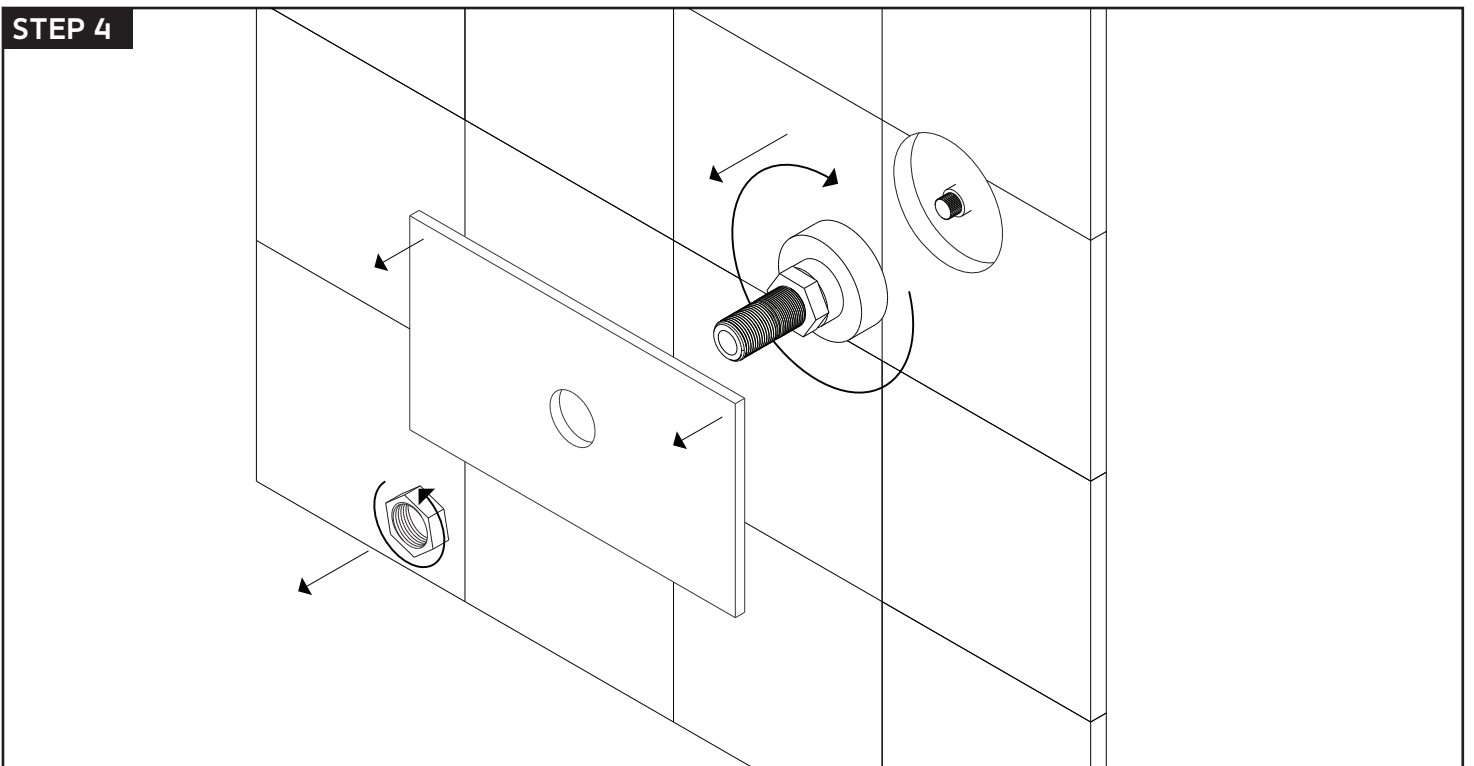


INSTALLATION STEPS

STEP 3



STEP 4

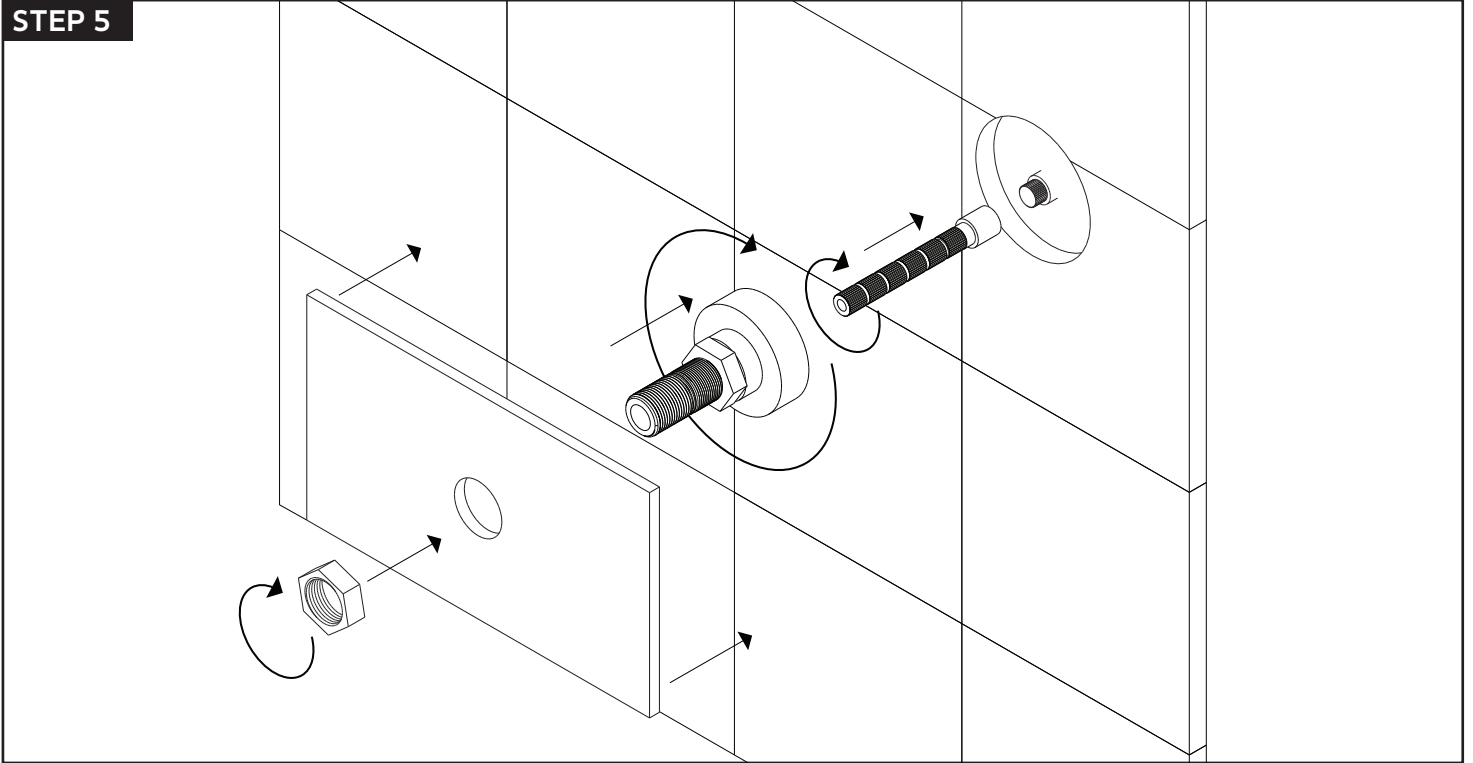


artos

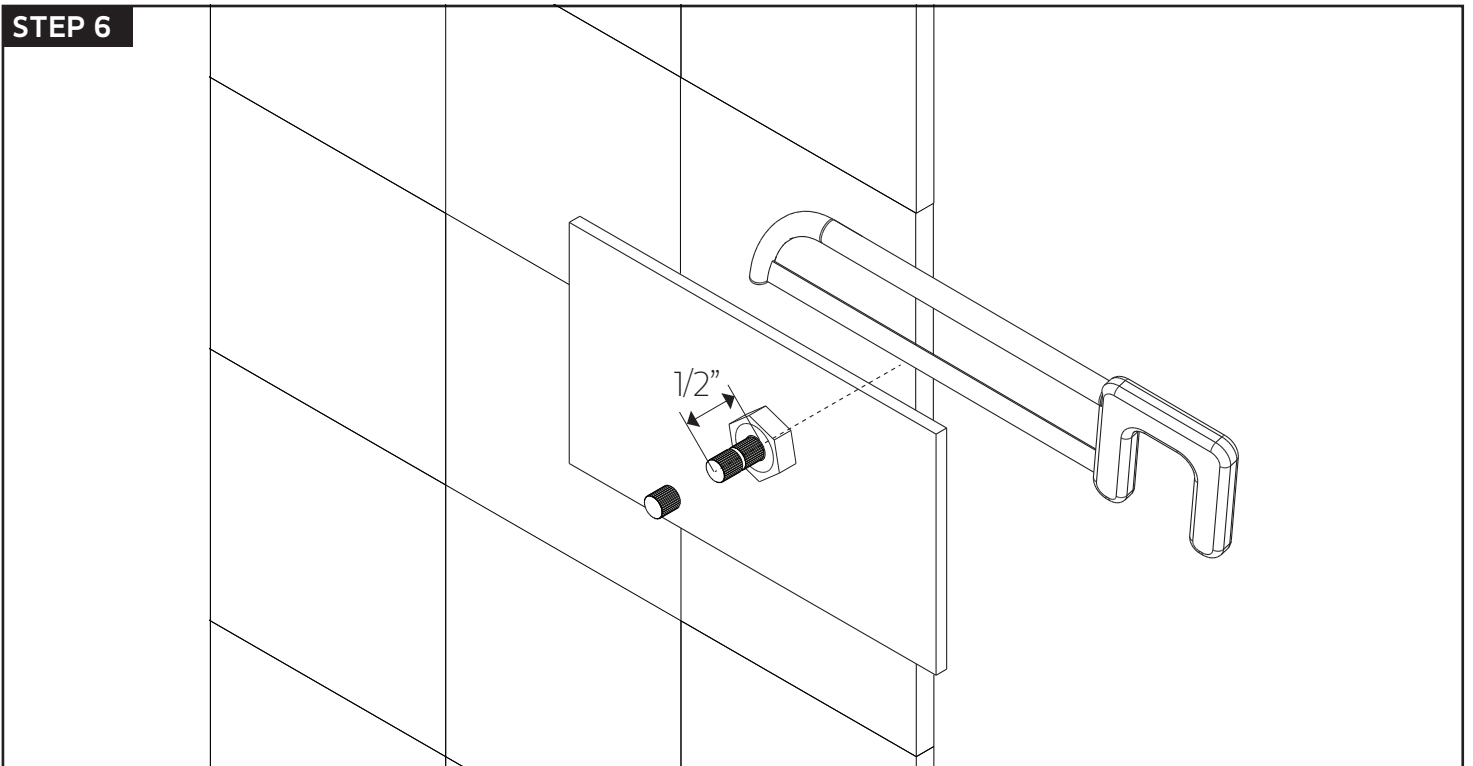
F909A-6TK

3-way diverter trim kit only
squ+letterbox

STEP 5

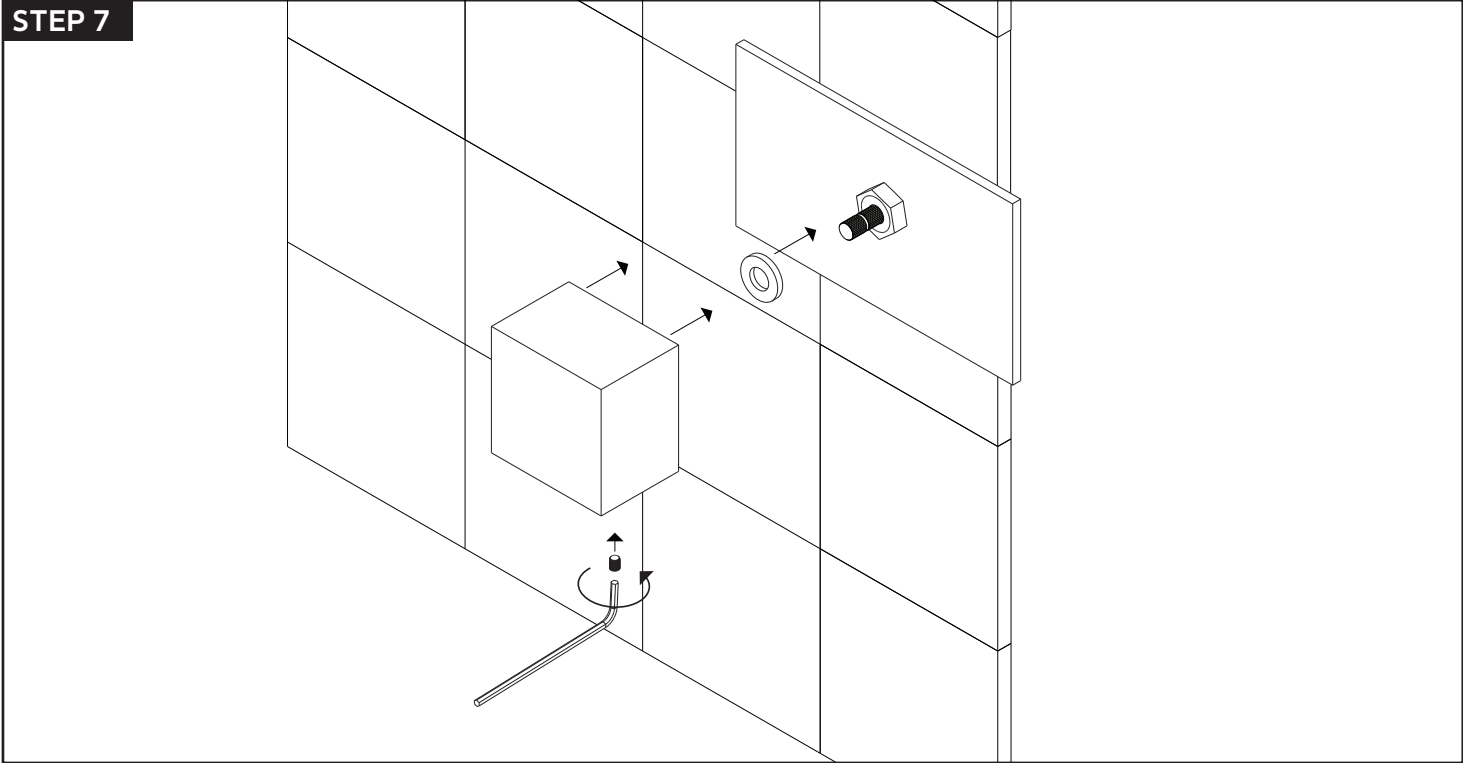


STEP 6



INSTALLATION STEPS

STEP 7

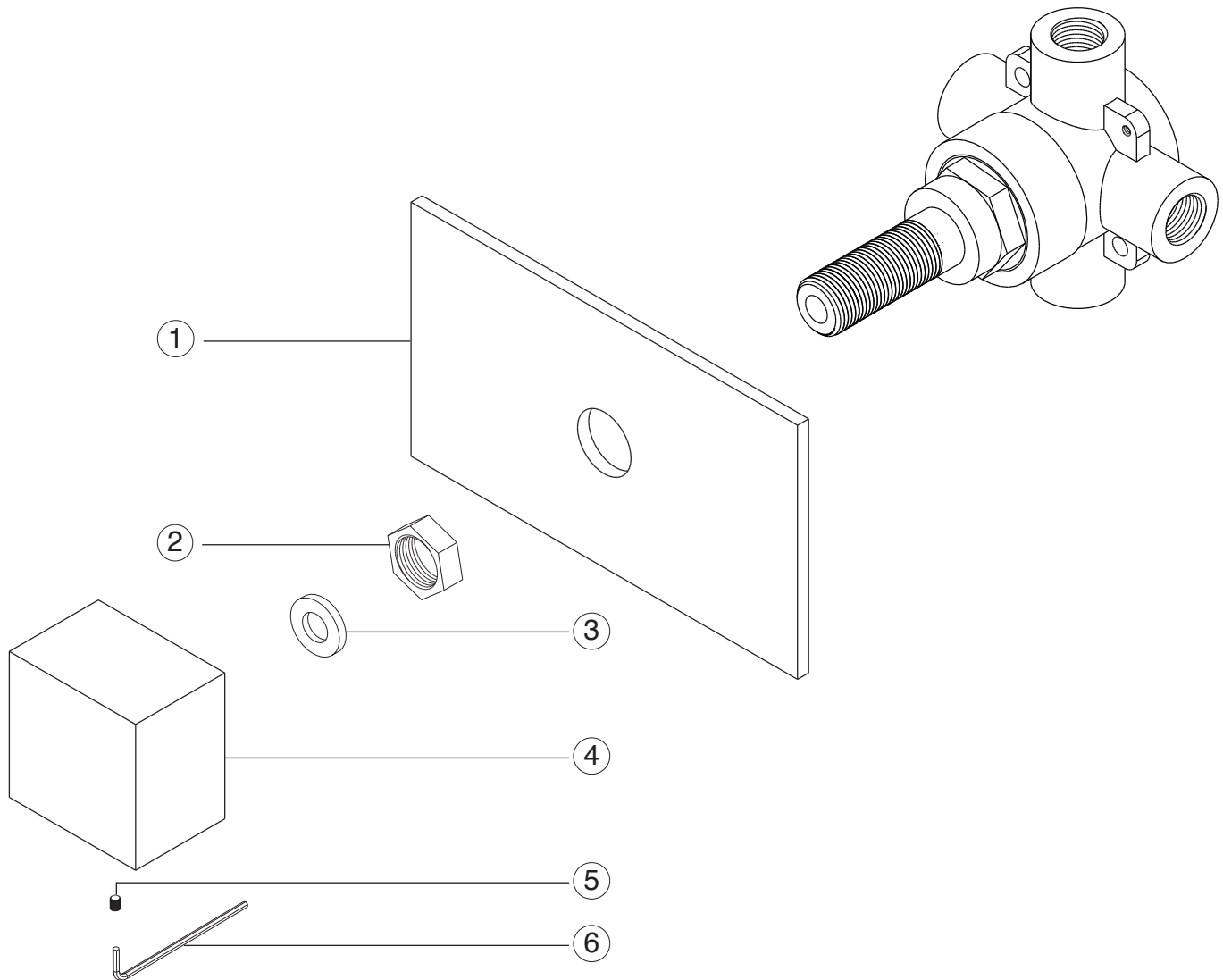


artos

F909A-6TK

PARTS BREAKDOWN

3-way diverter trim kit only
squ+letterbox



- ① **ESCUTCHEON** F909A-6TK XP1
- ② **LOCKING NUT** F909A-6TK XP2
- ③ **NYLON WASHER** F909A-6TK XP3
- ④ **HANDLE** F909A-6TK XP4
- ⑤ **SET SCREW** F909A-6TK XP5
- ⑥ **ALLEN WRENCH** F909A-6TK XP6

