

# artos

F909A-8TK

INSTALLATION GUIDE

3-way diverter trim kit only  
squ

BRUSHED NICKEL(BN)



CHROME(CH)



# artos

F909A-8TK

3-way diverter trim kit only  
squ

## OPERATING SPECIFICATIONS

for associated valve | F909A-V0



### OPERATING PRESSURE

Minimum: 20 psi

Maximum: 125 psi

Recommended: 30-95 psi

### FLOW CAPACITY

6.9USGPM@60 psi

### INLET/OUTLET

(3) 1/2" Female NPT

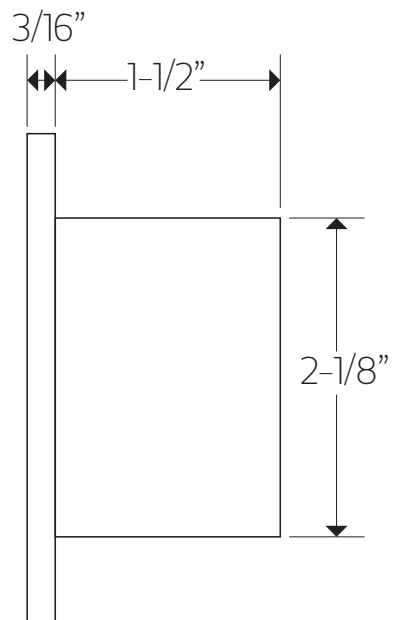
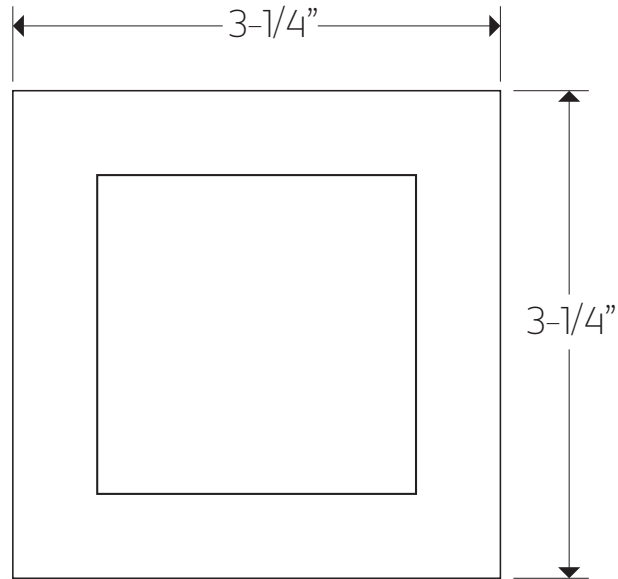
(1) 1/2" Female NPS

# artos

F909A-8TK

## PRODUCT DIMENSIONS

3-way diverter trim kit only  
squ

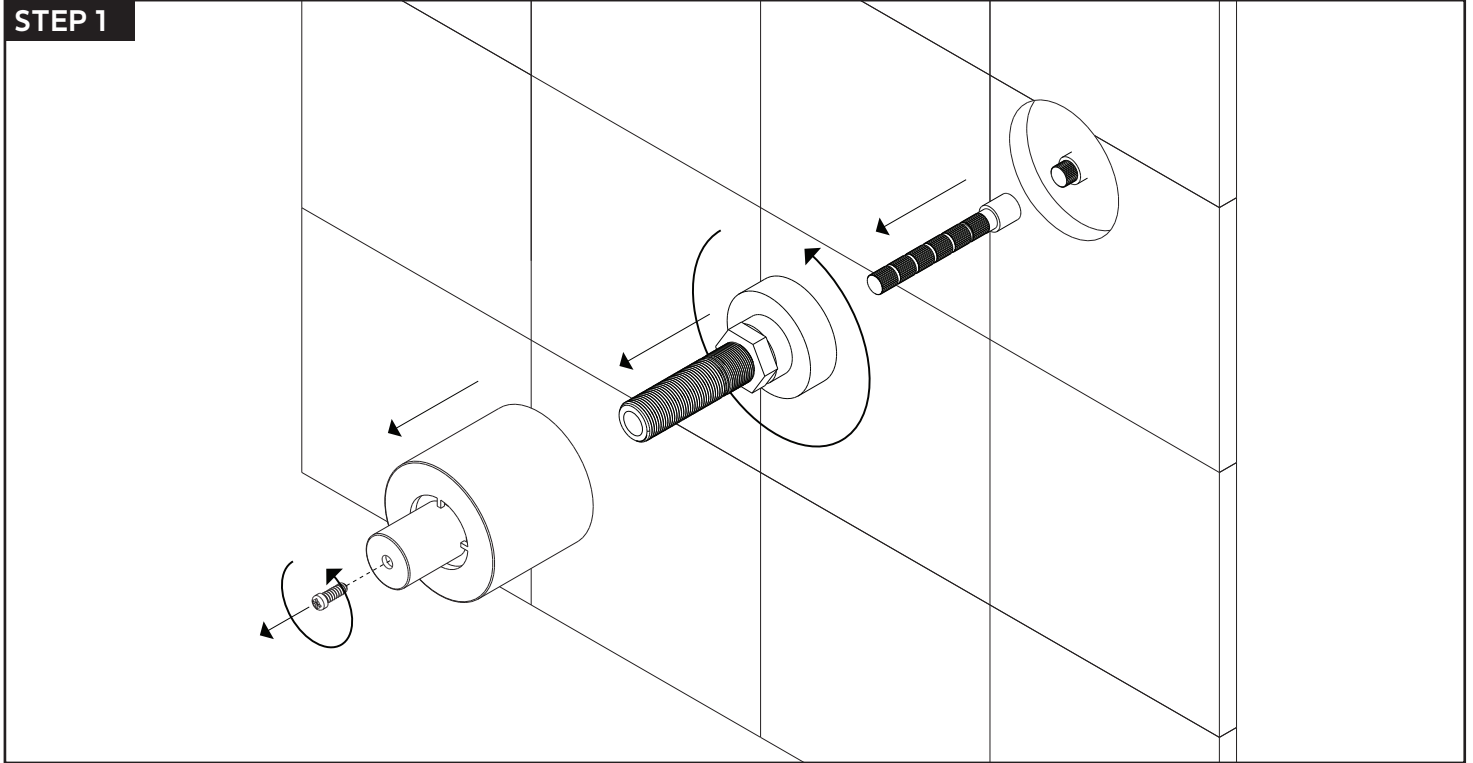


# artos

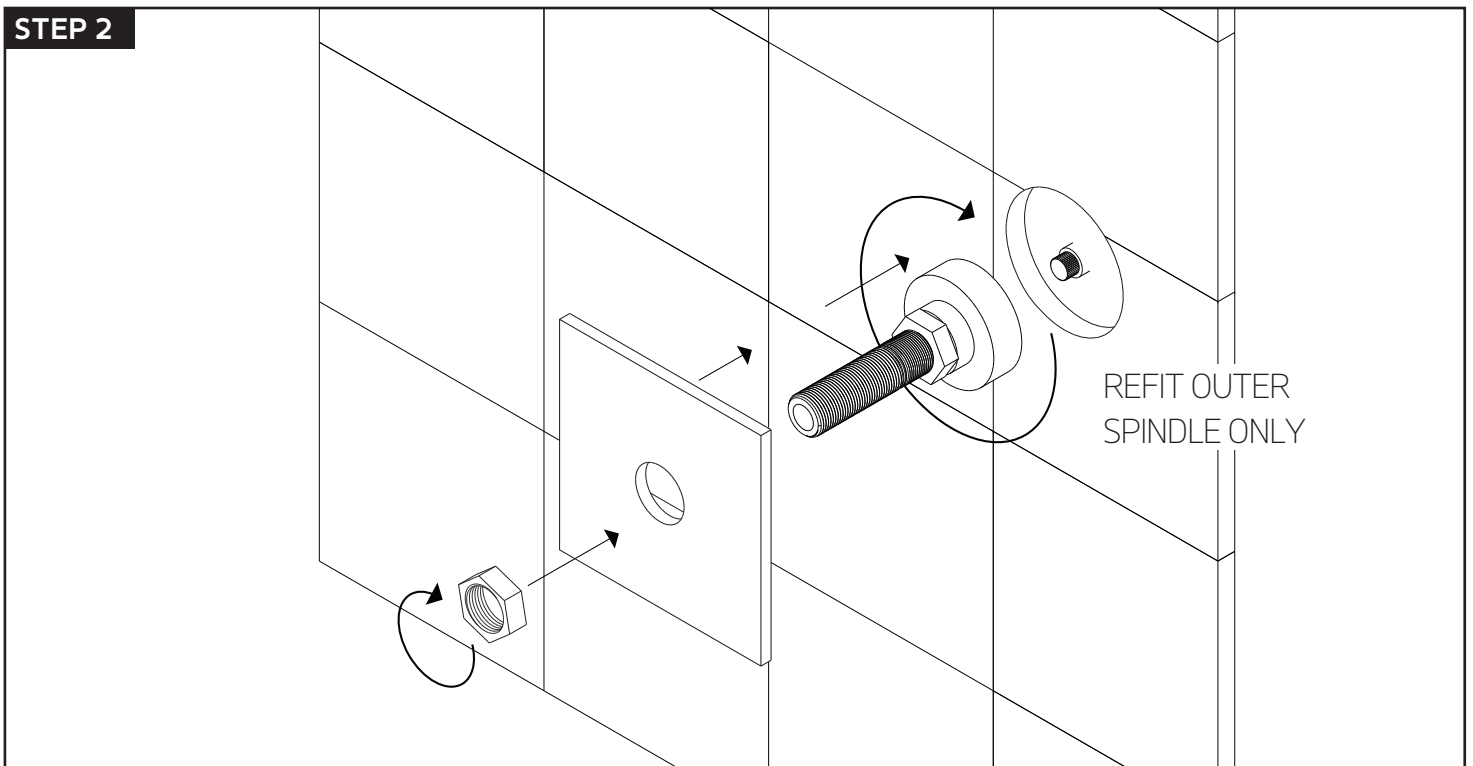
F909A-8TK

3-way diverter trim kit only  
squ

## STEP 1

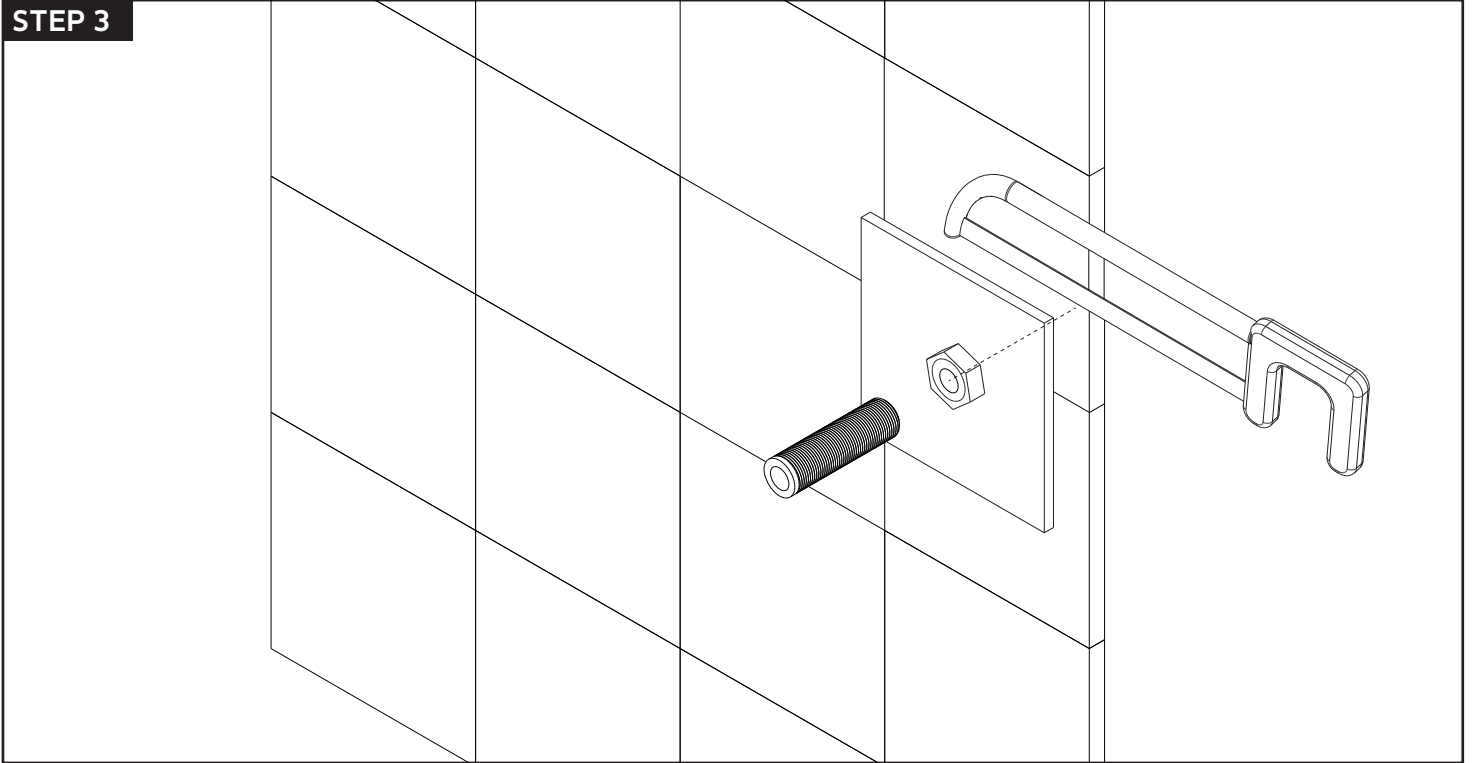


## STEP 2

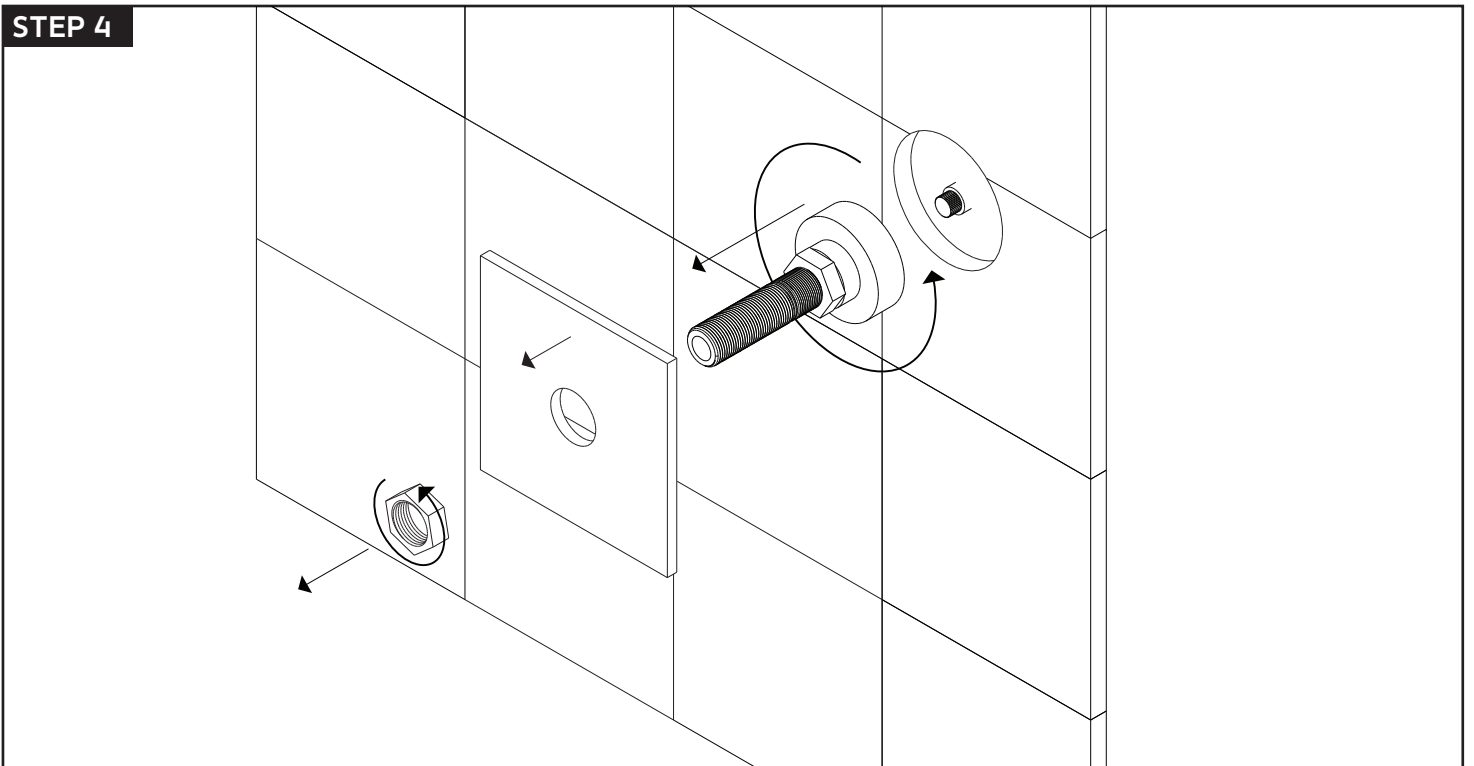


# INSTALLATION STEPS

## STEP 3



## STEP 4

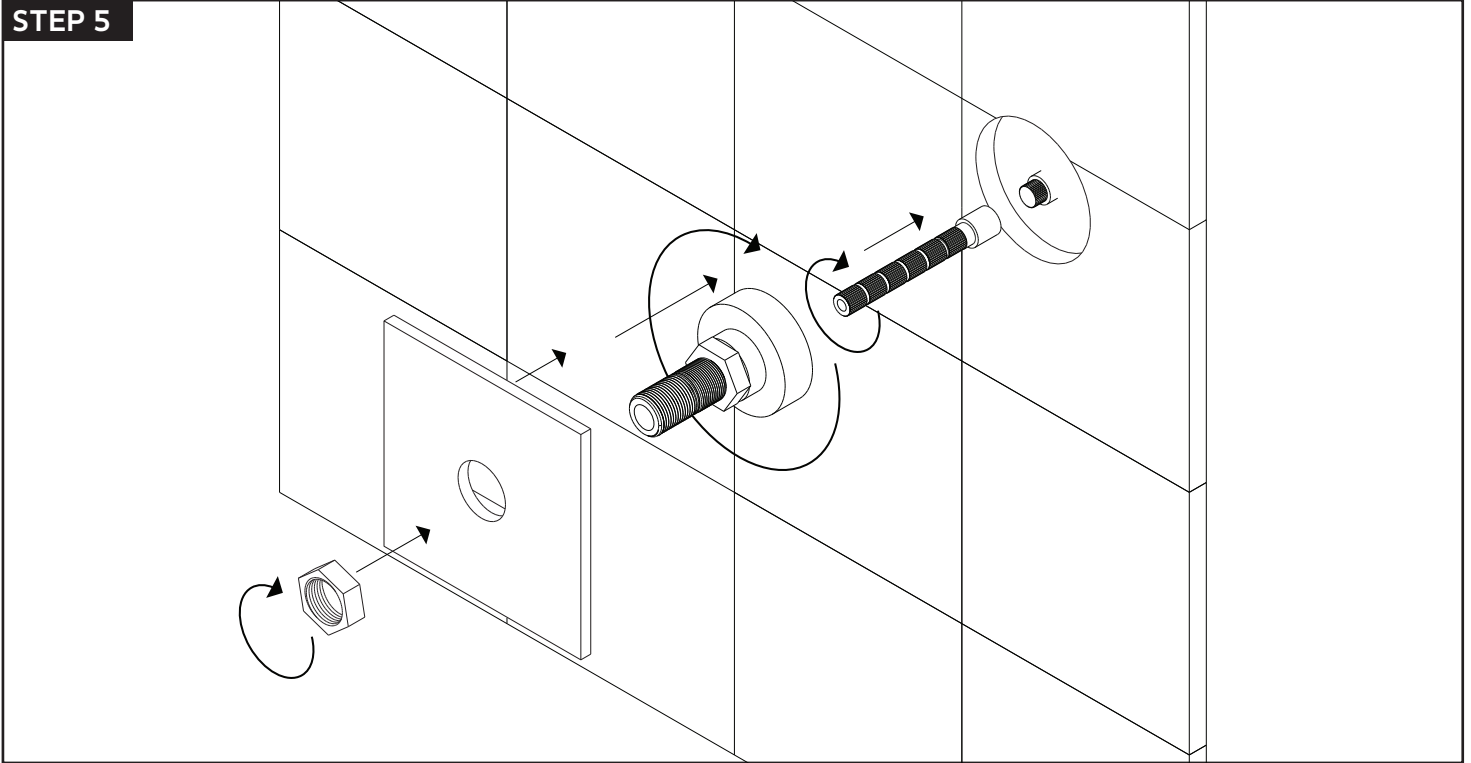


# artos

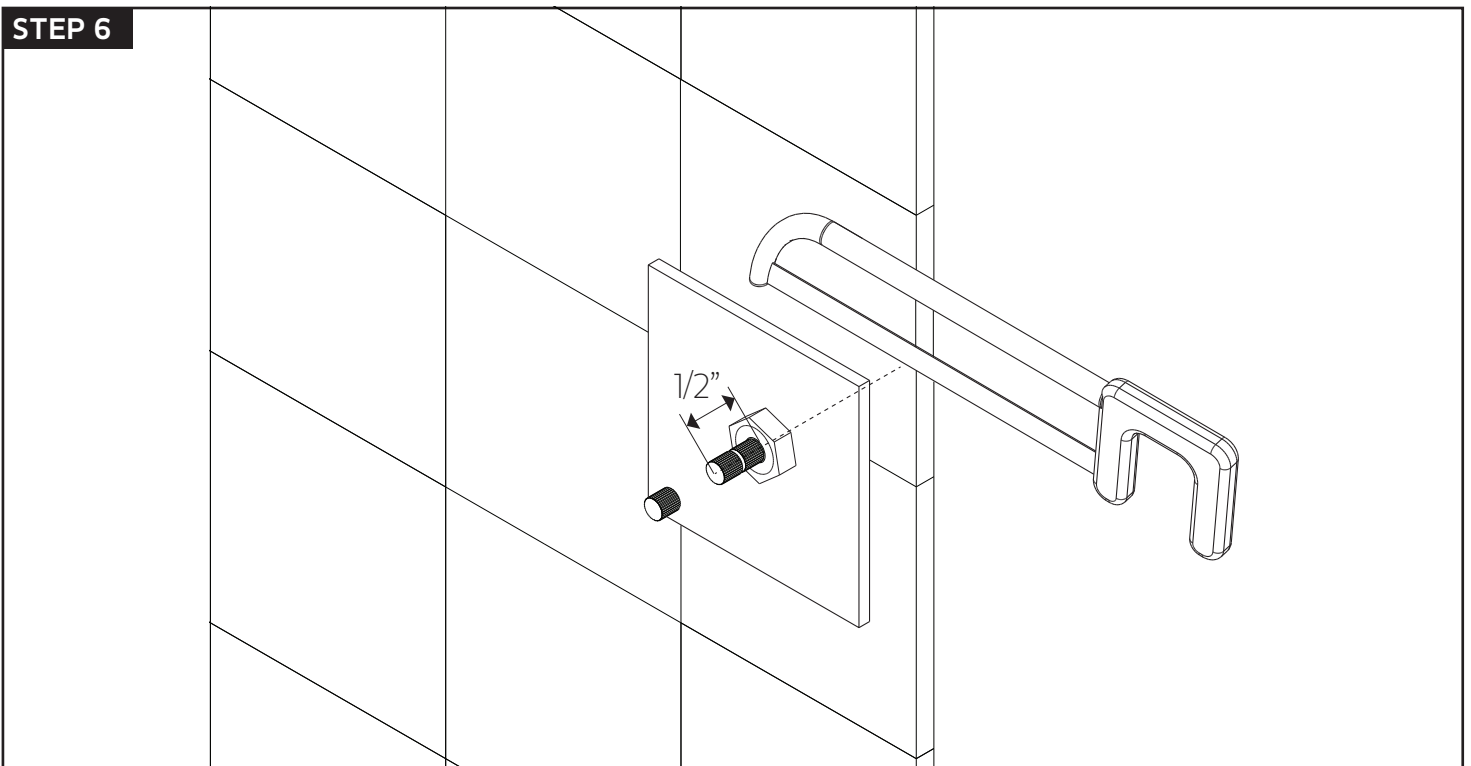
F909A-8TK

3-way diverter trim kit only  
squ

## STEP 5

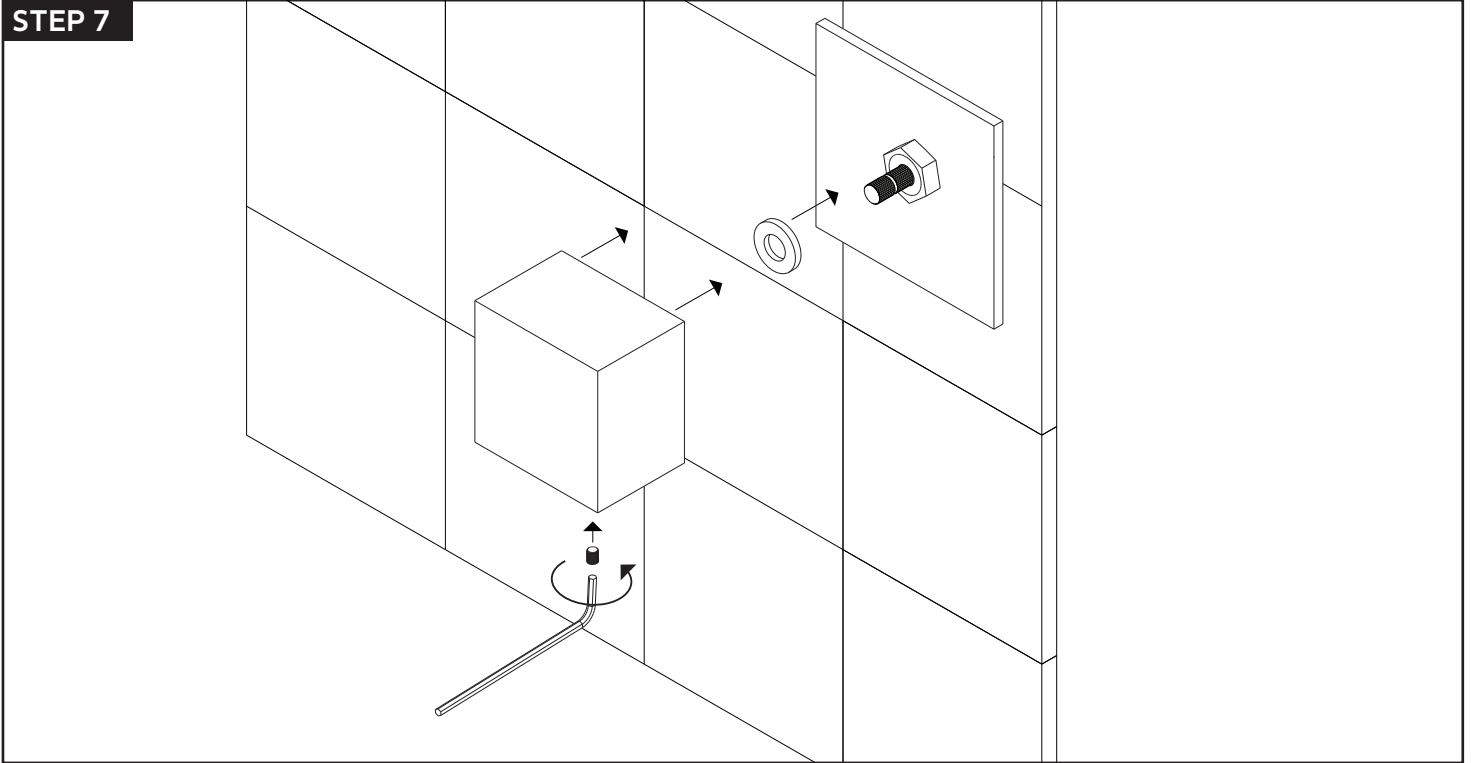


## STEP 6



# INSTALLATION STEPS

## STEP 7

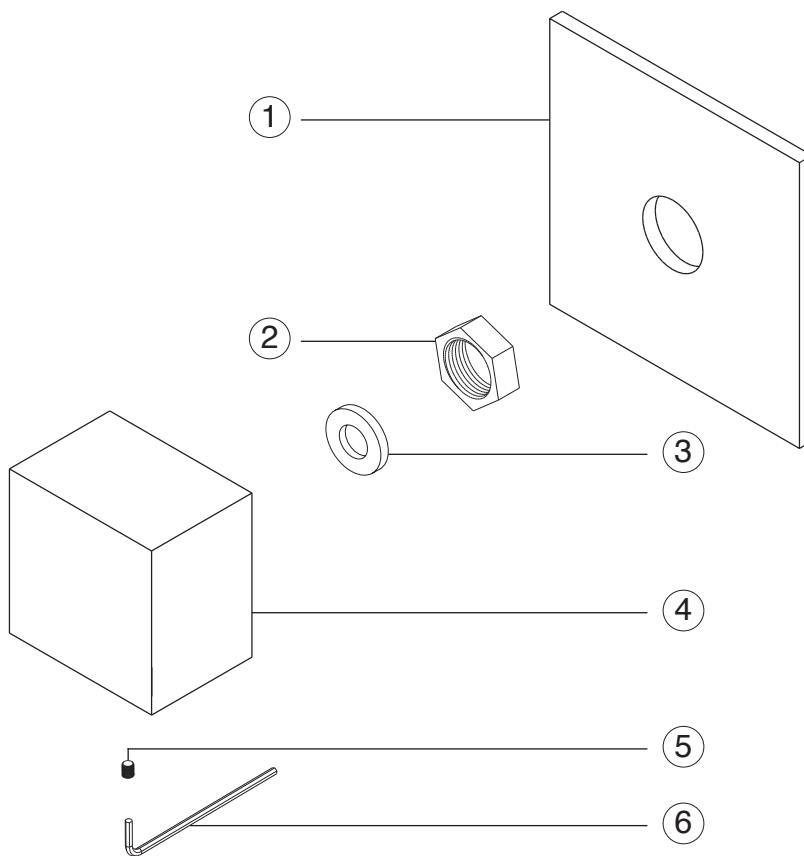
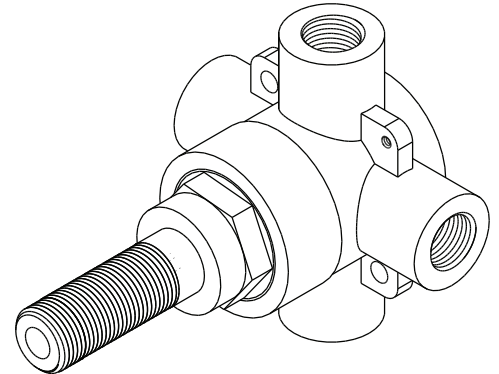


# artos

F909A-8TK

## PARTS BREAKDOWN

3-way diverter trim kit only  
squ



- ① **ESCUTCHEON** F909A-8TK XP1
- ② **LOCKING NUT** F909A-8TK XP2
- ③ **NYLON WASHER** F909A-8TK XP3
- ④ **HANDLE** F909A-8TK XP4
- ⑤ **SET SCREW** F909A-8TK XP5
- ⑥ **ALLEN WRENCH** F909A-8TK XP6



# artos

## F909A-8TK

3-way diverter trim kit only  
squ

### CARE & MAINTENANCE

For best results, keep the following in mind to retain the high quality finish of your artos® faucets:

- Use a soft, dampened sponge or cloth. On no account should you use an abrasive material such as a brush, scouring pad or steel wool to clean surfaces.
- Test your cleaning agent solution on an inconspicuous area before applying to the entire faucet.
- Wipe surfaces clean and rinse completely with water immediately after applying cleaning agent.
- An ideal cleaning technique is to rinse faucet thoroughly and blot dry any water from the surface after each use.

### LIMITED LIFETIME WARRANTY

UWRV/LPLWHG/LIHWLPH:DUUDW

UWRVIDXFHWWKDYHEHHDPDXIDFWXUHGXGHUWKHKLKHWWTXDOLWDGPDXIDFWXULVWDGDUGVUWRV  
IDXFHWWDUHXDUDWHHGIRUOLIHDDLWOHDNDVDPDXIDFWXULGHIHFVIRUDVORDVWVWVWVWVWVWVW  
FRVXPHUSXUFKDVHURVLWKLVDUUDWDSSOLHVWRLVWDOODWLRVLWVWVWVWVWVWVWVWVWVWVW  
TRUWKPHULFDRPPHUFLLDO,GXVWULDORUEXVLHVXVHVVDUHDUUDWVWVWVWVWVWVWVWVWVWVWVW  
VW

KLVDUUDWLVRWUDVIHUEOHDGDSSOLHVHFOXVLYHOWRWKVRULLDORHURUHGXVHU,IDGHIHFVWLV  
IRXGGXULRUPDOXVHUVRVLOODWLWWHOHFWLWVW  
DPDHFVHGEDFFLGHVW  
KLVDUUDWGRHVRWFYHUUHSDOFHPHWSDUWVW  
/DERUFKDUHVLVWDOODWLRURVW

5HSODFHPHWSDUWVW  
526RUEHPDLODWLIRDUWRVXVFRP3URRIRISXUFKDVHVRULLDOVDOHVHUFHLSWIURPWKH  
RULLDOFRVXPHUSXUFKDVHUPXVWDFRPSDDOODUUDWFODLPV:KHVXEPLWVWVWVWVWVWVWVWVWVW  
ULWLSOHDVHSURYLGHRXUDPHDGGUHVVW

3 0 H D V H U H L V W H U W K M R S U R I G W F : 5 2 6 8 6 2 0

, W H P I R ) 9 0 9 5 - , H ?  
G Y f j U ` B c .