

artos

F909A-13TK

INSTALLATION GUIDE

3-way diverter trim kit only
safire

BRUSHED NICKEL(BN)



CHROME(CH)



artos

F909A-13TK

3-way diverter trim kit only
safire

OPERATING SPECIFICATIONS

for associated valve | F909A-V0



OPERATING PRESSURE

Minimum: 20 psi

Maximum: 125 psi

Recommended: 30-95 psi

FLOW CAPACITY

6.9USGPM@60 psi

INLET/OUTLET

(3) 1/2" Female NPT

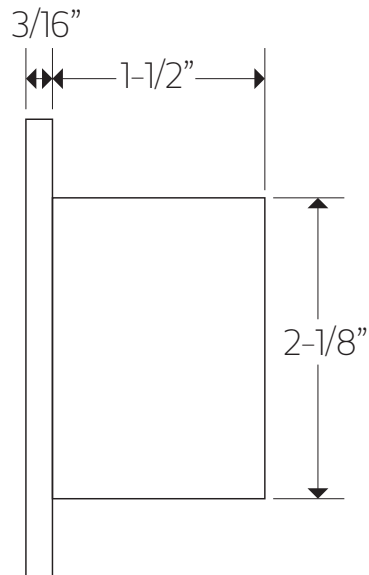
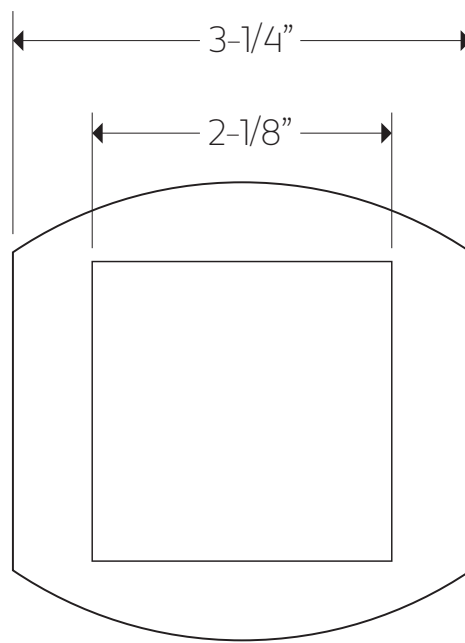
(1) 1/2" Female NPS

artos

F909A-13TK

PRODUCT DIMENSIONS

3-way diverter trim kit only
safire

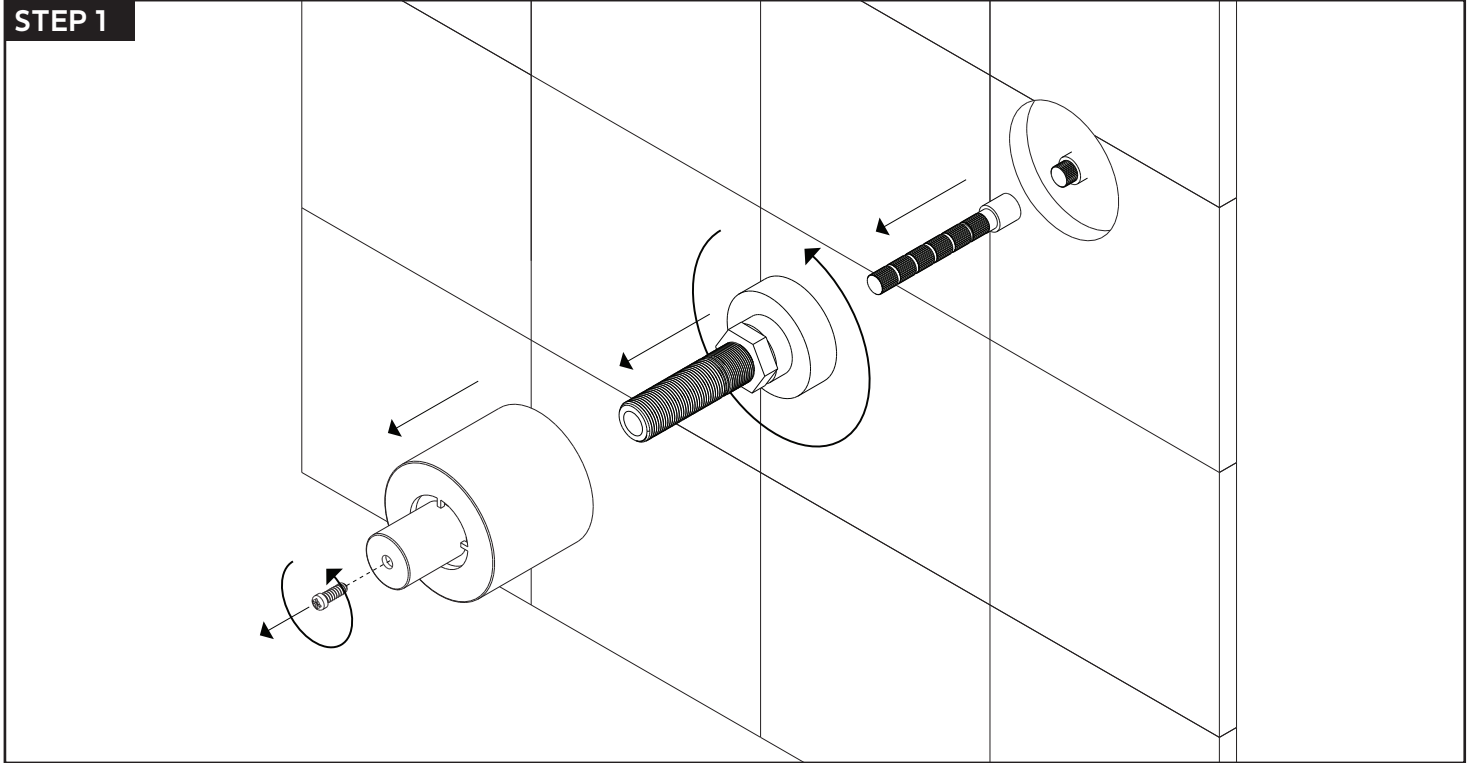


artos

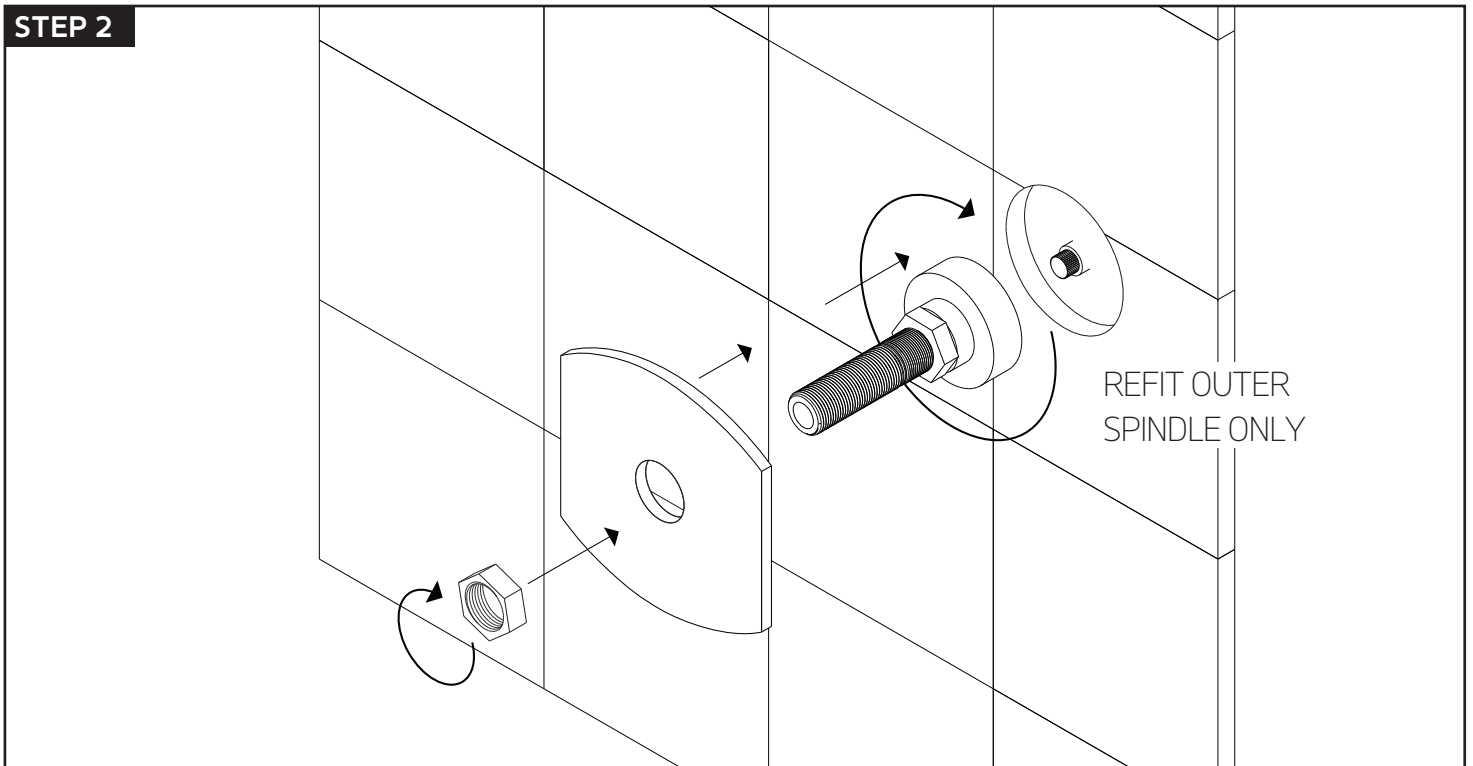
F909A-13TK

3-way diverter trim kit only
safire

STEP 1

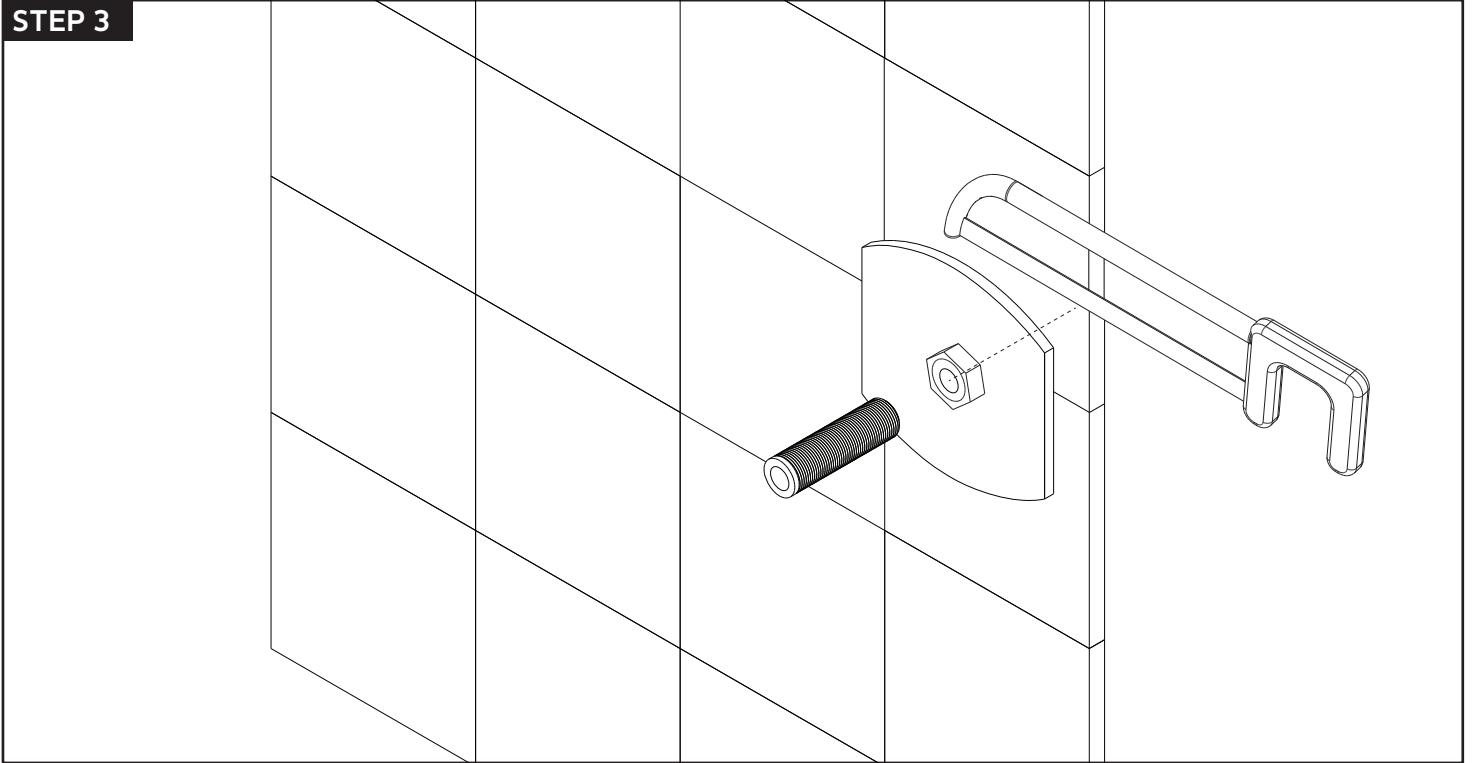


STEP 2

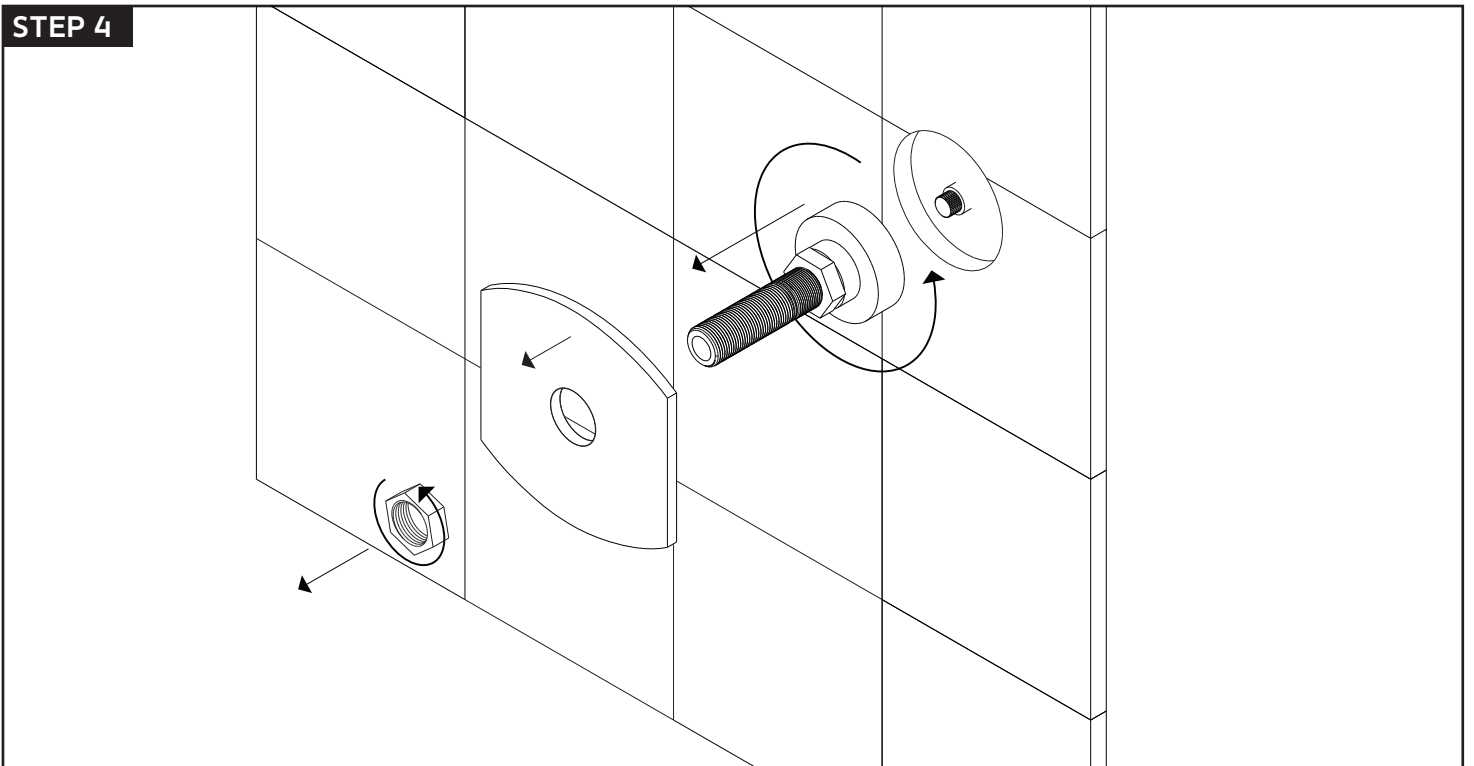


INSTALLATION STEPS

STEP 3



STEP 4

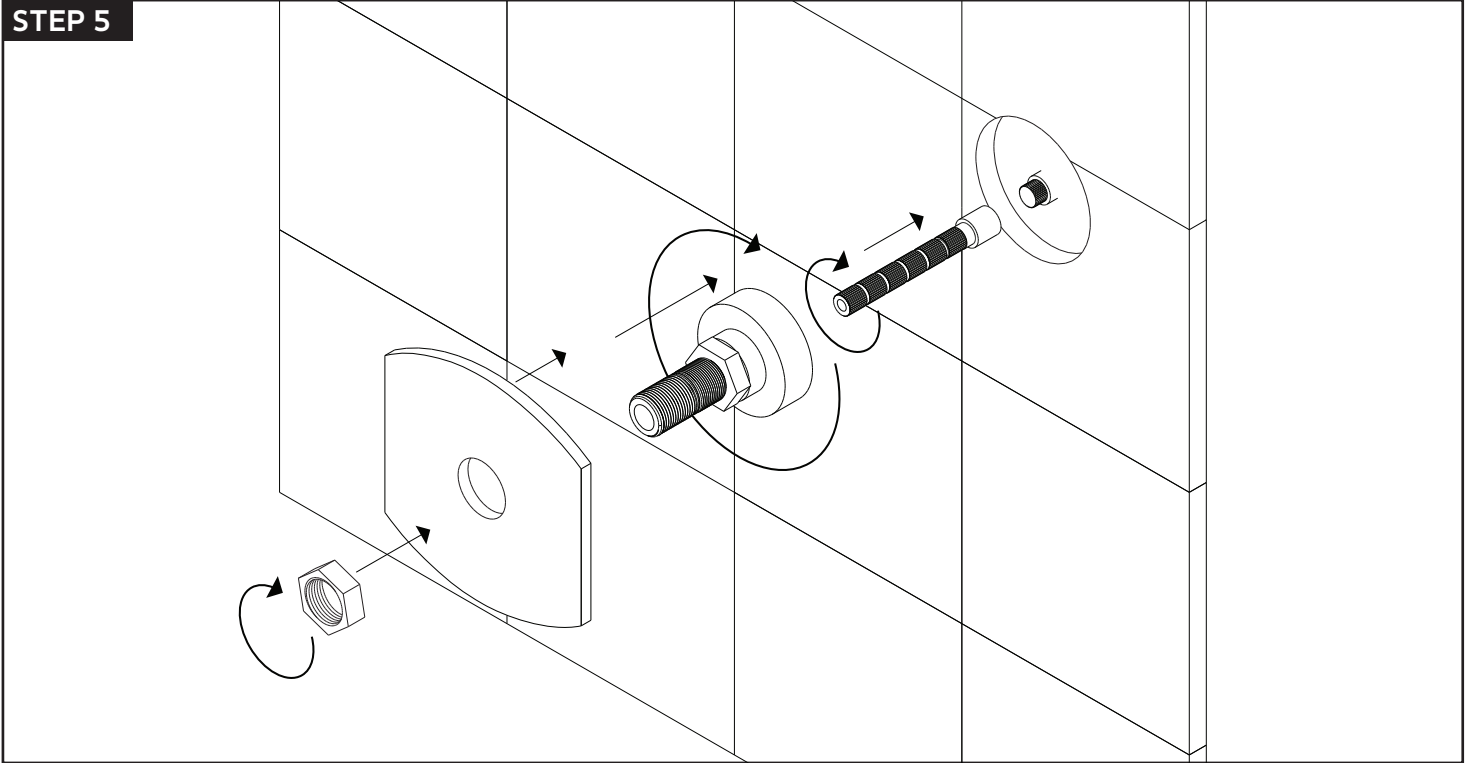


artos

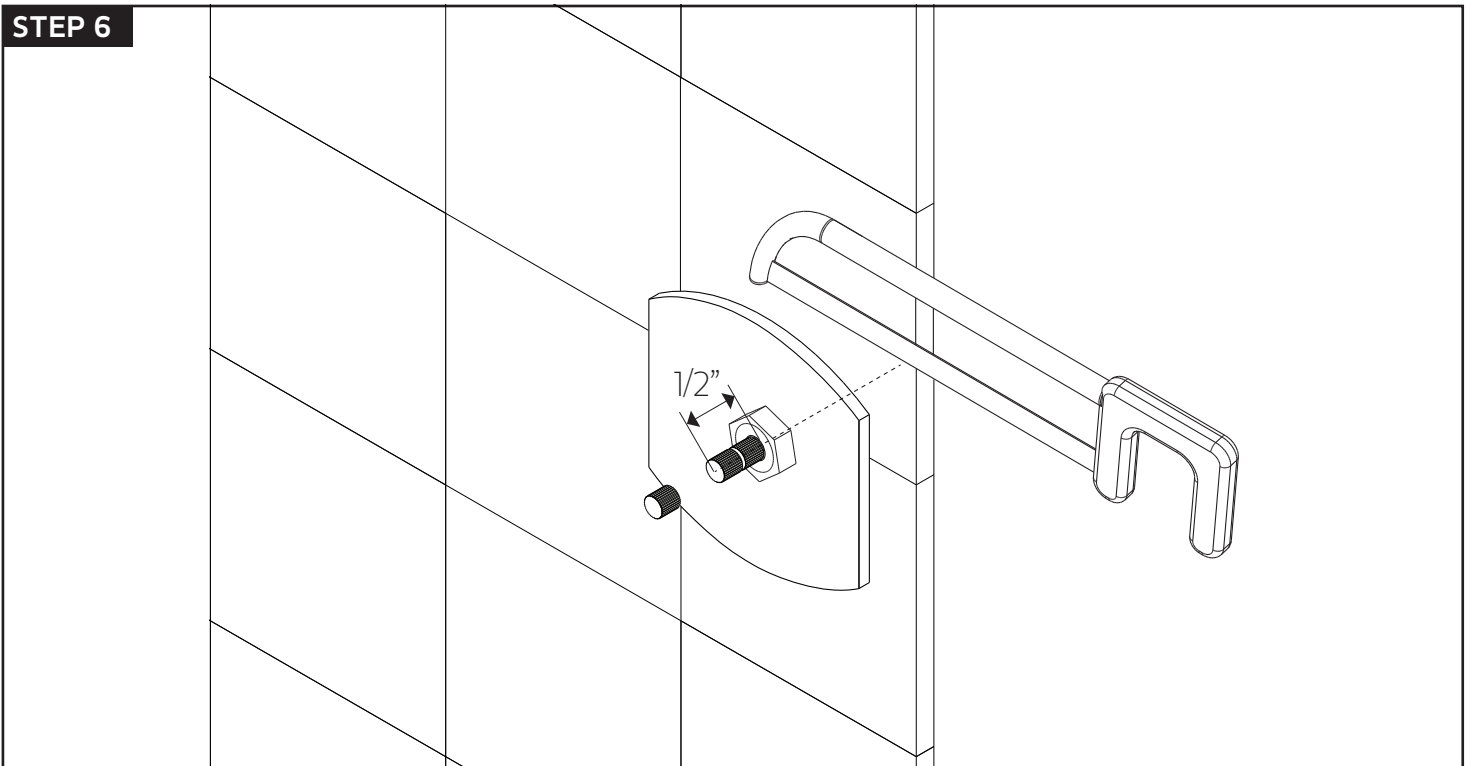
F909A-13TK

3-way diverter trim kit only
safire

STEP 5

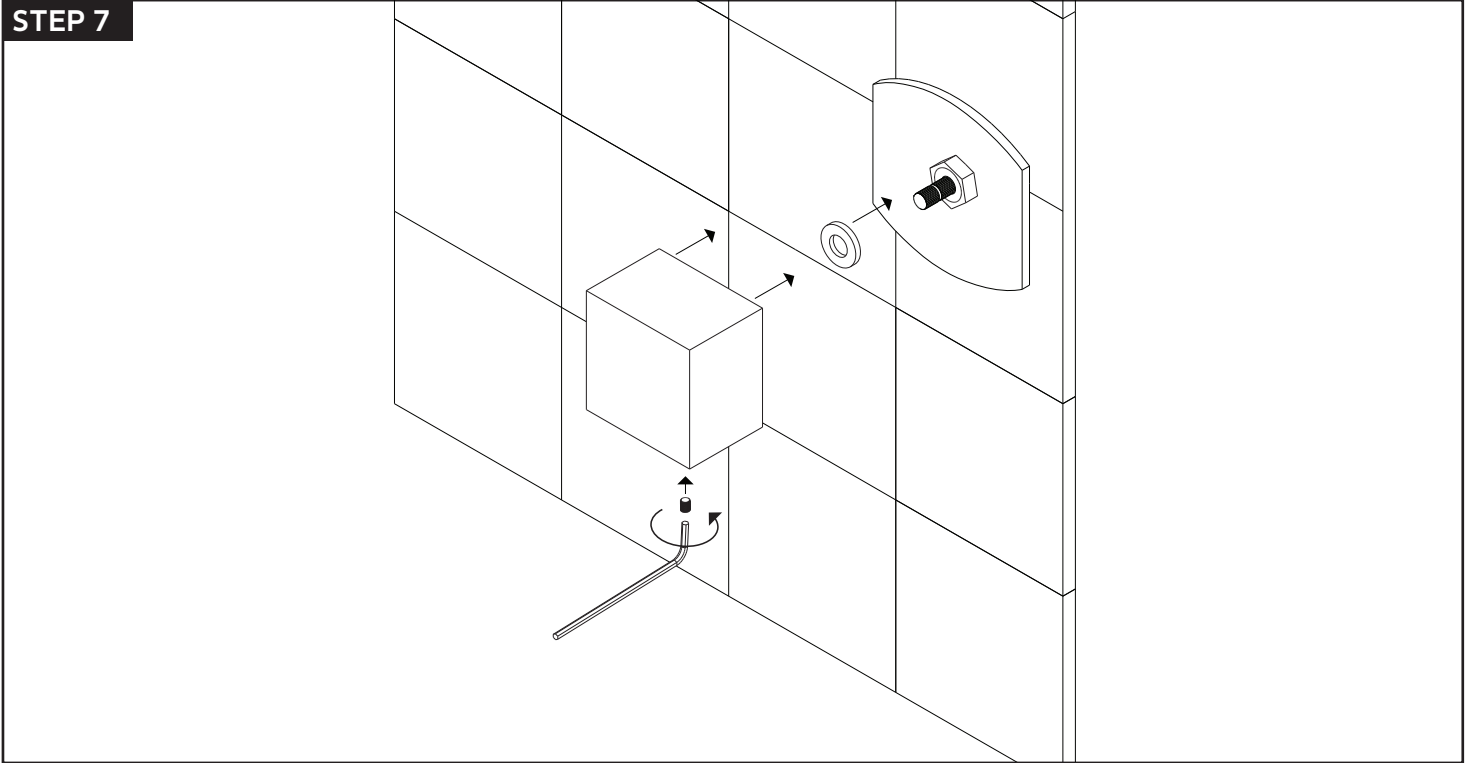


STEP 6



INSTALLATION STEPS

STEP 7

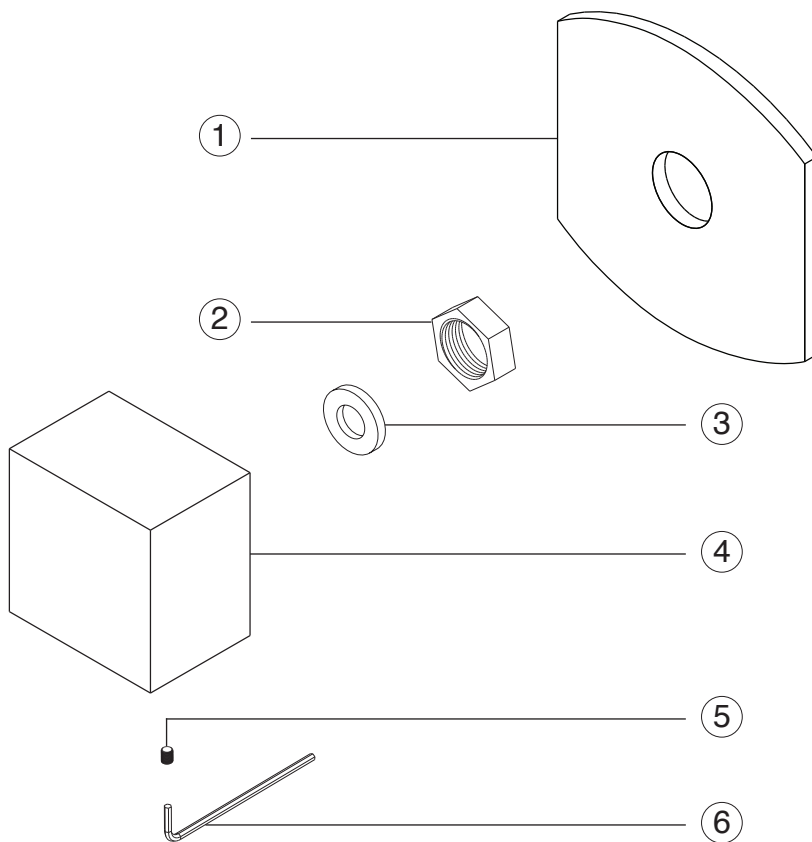
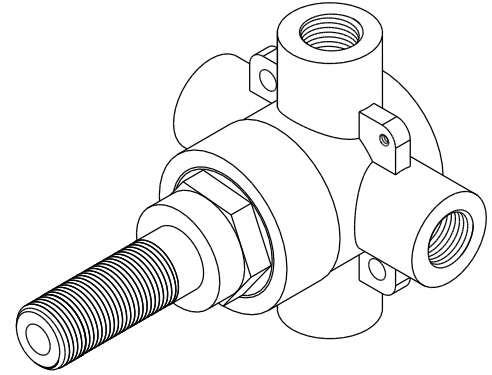


artos

F909A-13TK

PARTS BREAKDOWN

3-way diverter trim kit only
safire



- ① **ESCUTCHEON** F909A-13TK XP1
- ② **LOCKING NUT** F909A-13TK XP2
- ③ **NYLON WASHER** F909A-13TK XP3
- ④ **HANDLE** F909A-13TK XP4
- ⑤ **ALLEN WRENCH** F909A-13TK XP5
- ⑥ **SET SCREW** F909A-13TK XP6

artos

F909A-13TK

3-way diverter trim kit only
safire

CARE & MAINTENANCE

For best results, keep the following in mind to retain the high quality finish of your artos® faucets:

- Use a soft, dampened sponge or cloth. On no account should you use an abrasive material such as a brush, scouring pad or steel wool to clean surfaces.
- Test your cleaning agent solution on an inconspicuous area before applying to the entire faucet.
- Wipe surfaces clean and rinse completely with water immediately after applying cleaning agent.
- An ideal cleaning technique is to rinse faucet thoroughly and blot dry any water from the surface after each use.

LIMITED LIFETIME WARRANTY

UWRV/LPLWHG/LIHWLPH:DUUDW

UWRVIDXFHWWKDYHEHHPDXIDFWXUHGXGHUWKHKLKHVWTXDOLWDGPDXIDFWXULVWDGDUGVUWRV
IDXFHVVUHXDUDWHHGIRUOLIHDDLWOHDNVDGPDXIDFWXULGHIHFVIRUDVORDVWKHRULLDO
FRVXPHUSXUFKDVHURVLWKLVDUUDWDSSOLHVVRLVWDOODWLRVLWKH6DDGDDGOHLFR
TRUWKPHULFDRPPHUFLLDO,GXVWULDORUEXVLHVXVHVDUHDUUDWHGIRUDSHULRGRIRHHDUIURP
WKHRULLDOGDWHRISXUFKDVH

KLVDUUDWLVVRWUDVIHUDEOHDGDSSOLHVHFOXVLYHOWRWKHRULLDORHURUHGXVHU,IDGHIHFWLV
IRXGGXULRUPDOXVHUWRVLOODWLWVHOHFWLRUHSDLUHSODFHRUPDNHDDSSURSULDWHDGMXVWPHW
DPDHFDXVHGDFLGHWPLVXVHDEXVHLPSURSHULVWDOODWLRUDOWHWDWLRLOOYRLGWKHUUDW
KLVDUUDWGRHVRWFRYHUHSODFHPHWSDUWVKHUHGDPDHLVFDXVHGERUPDOHDUDGWHDU
/DERUFKDUHVLVWDOODWLRURURWKHULFLGHWDORUFRVHTXHWLDOFRVWVLOORWEHFRYHUHG

5HSODFHPHWSDUWVWKDWTXDOLIIRUDUUDWUHSDLUFDEHREWDLHGFRWDFWLUWRVDW
526RUEHPDLODWLIRDUWRVXVFRP3URRIRISXUFKDVHRULLDOVDOHVUHFHLSWIURPWKH
RULLDOFRVXPHUSXUFKDVHUPXVWDFRPSDDOODUUDWFODLPV:KHVXEPLWWLRXUFODLPL
ULWLSOHDVHSURYLGHRXUDPHDGGUHVVDGWHOHSKRHXPESHU

3 0 H D V H U H L V W H U W K M R S U R I G W F : 5 2 6 6 2 0

, W H P 1 R) 9 0 9 - 3