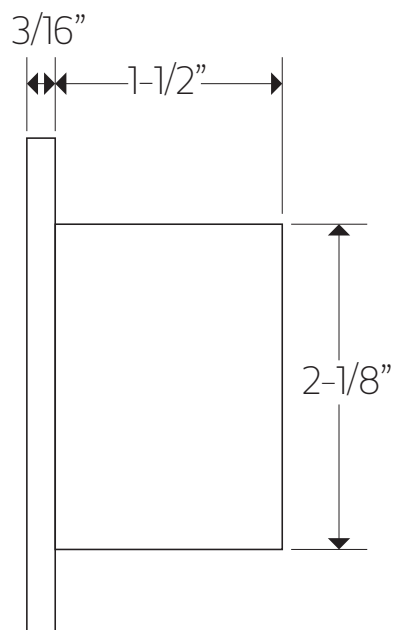
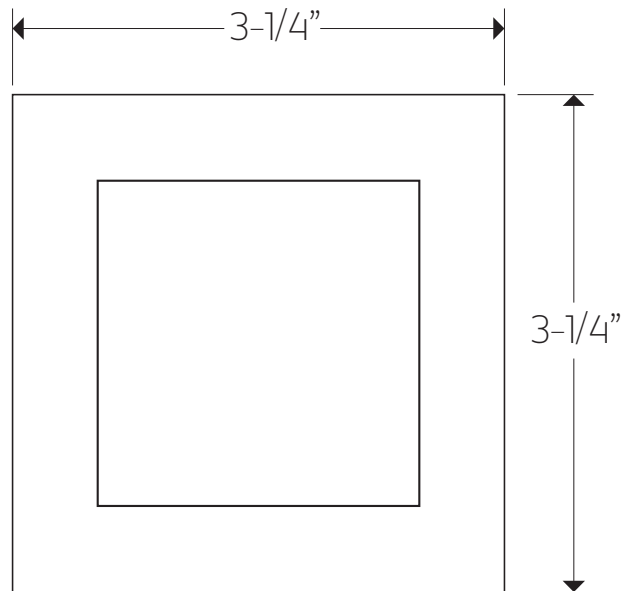


F906A-8TK

TECHNICAL DATA SHEET

volume control trim kit only  
squ



# artos

F906A-8TK

volume control trim kit only  
squ

## OPERATING SPECIFICATIONS

for associated valve | F906A-V0 or F906A34-V0



### OPERATING PRESSURE

Minimum: 10 psi  
Maximum: 125 psi

### FLOW CAPACITY

(F906A-V0) 5.6USGPM@60 psi  
or  
(F906A34-V0) 7.1USGPM@60 psi

### INLET/OUTLET

(F906A-V0) 1/2" Female NPT  
or  
(F906A34-V0) 3/4" Female NPT