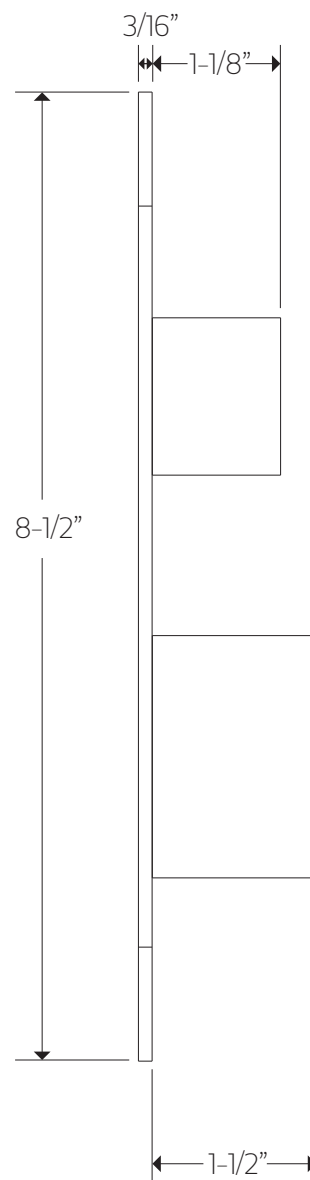
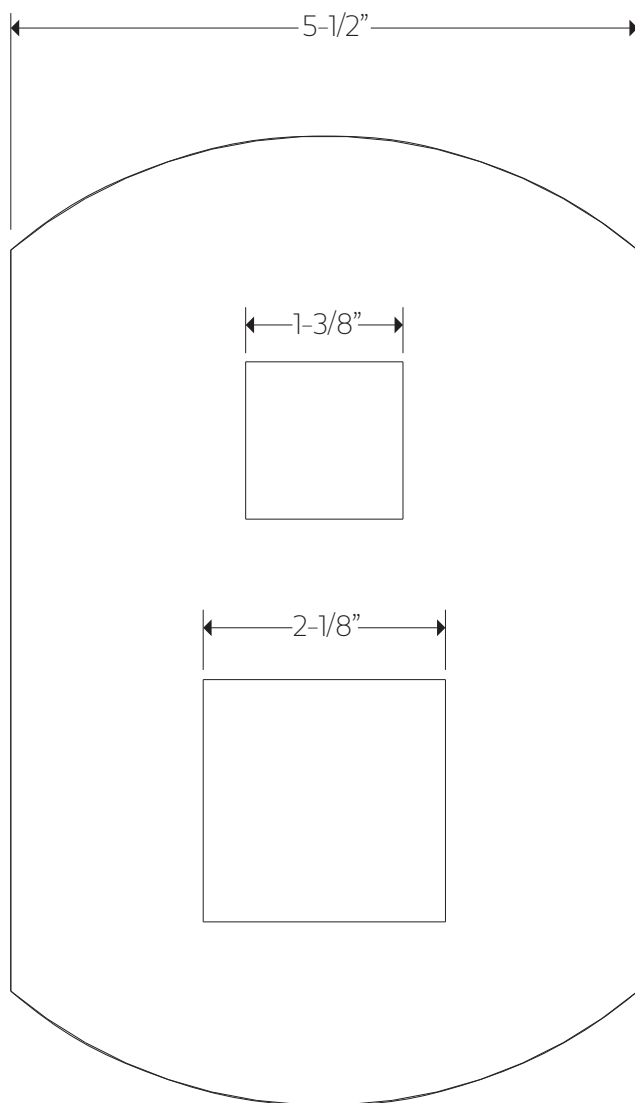


## F903A-55TK

## TECHNICAL DATA SHEET

pressure balance mixer with  
2-way diverter trim kit  
squ+safire



# artos

## F903A-55TK

pressure balance mixer with  
2-way diverter trim kit  
squ+safire

## OPERATING SPECIFICATIONS

for associated valve | F903A-42V0



### MIXED WATER TEMPERATURE

Maximum: 120°F

### HOT WATER SUPPLY TEMPERATURE

Maximum: 180°F

Minimum: 50°F

Advisable: 150°F- 160°F

Minimum difference between hot mixed temperature 50°F

### OPERATING PRESSURE

Maximum: 125psi

Minimum: 20psi

Recommended: 30psi- 95psi

Operating pressures (on hot and cold lines) should be kept as balanced as possible, in order to assure the maximum efficiency.