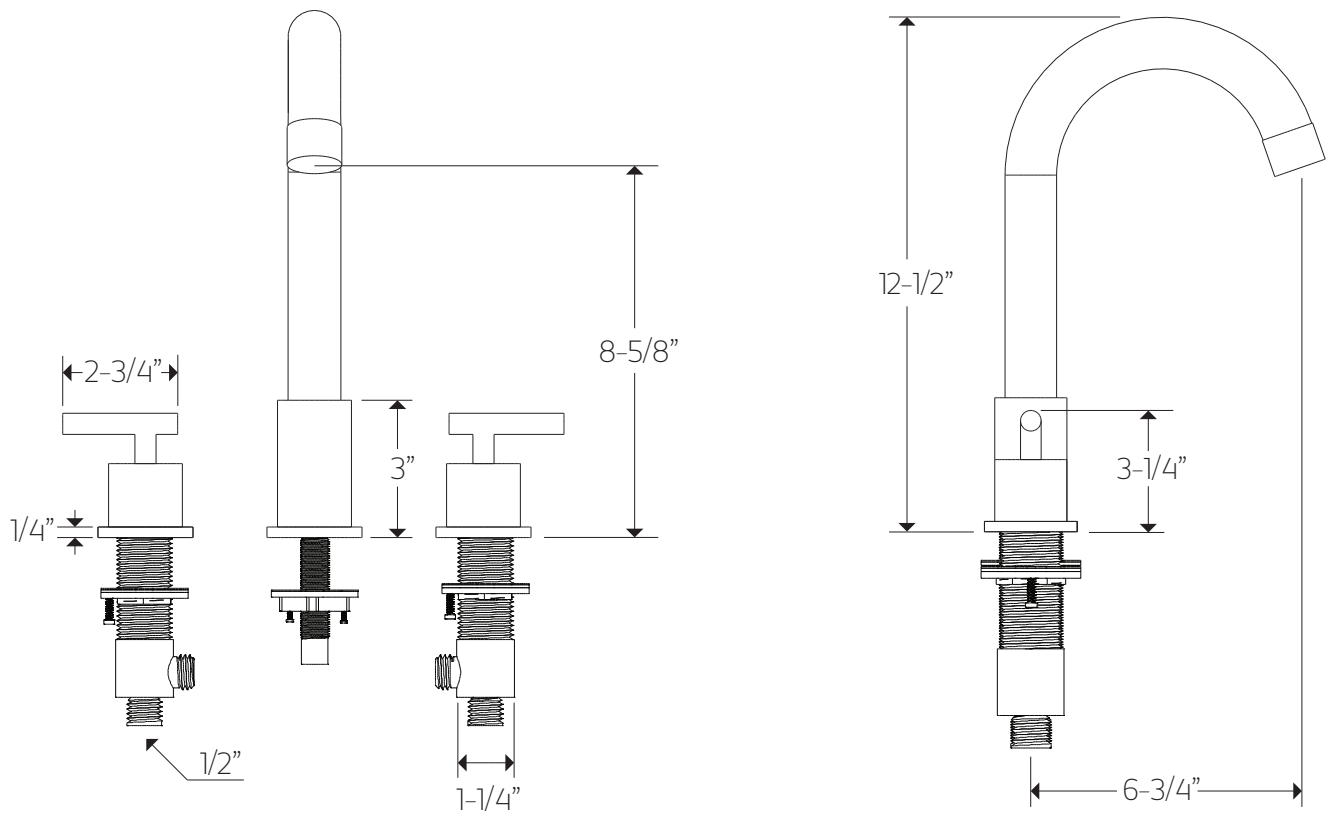


F501-32L

TECHNICAL DATA SHEET

opera 8" lav faucet



artos[®]

F501-32L

opera 8" lav faucet

OPERATING SPECIFICATIONS



FEATURES

Valve bodies included

OPERATING PRESSURE

Minimum: 15 psi

Maximum: 75 psi

Above 90psi it may be necessary to install a pressure reducer

OPERATING TEMPERATURE

Maximum: 176°

FLOW RATE

1.2 USGPM

APPROVALS

