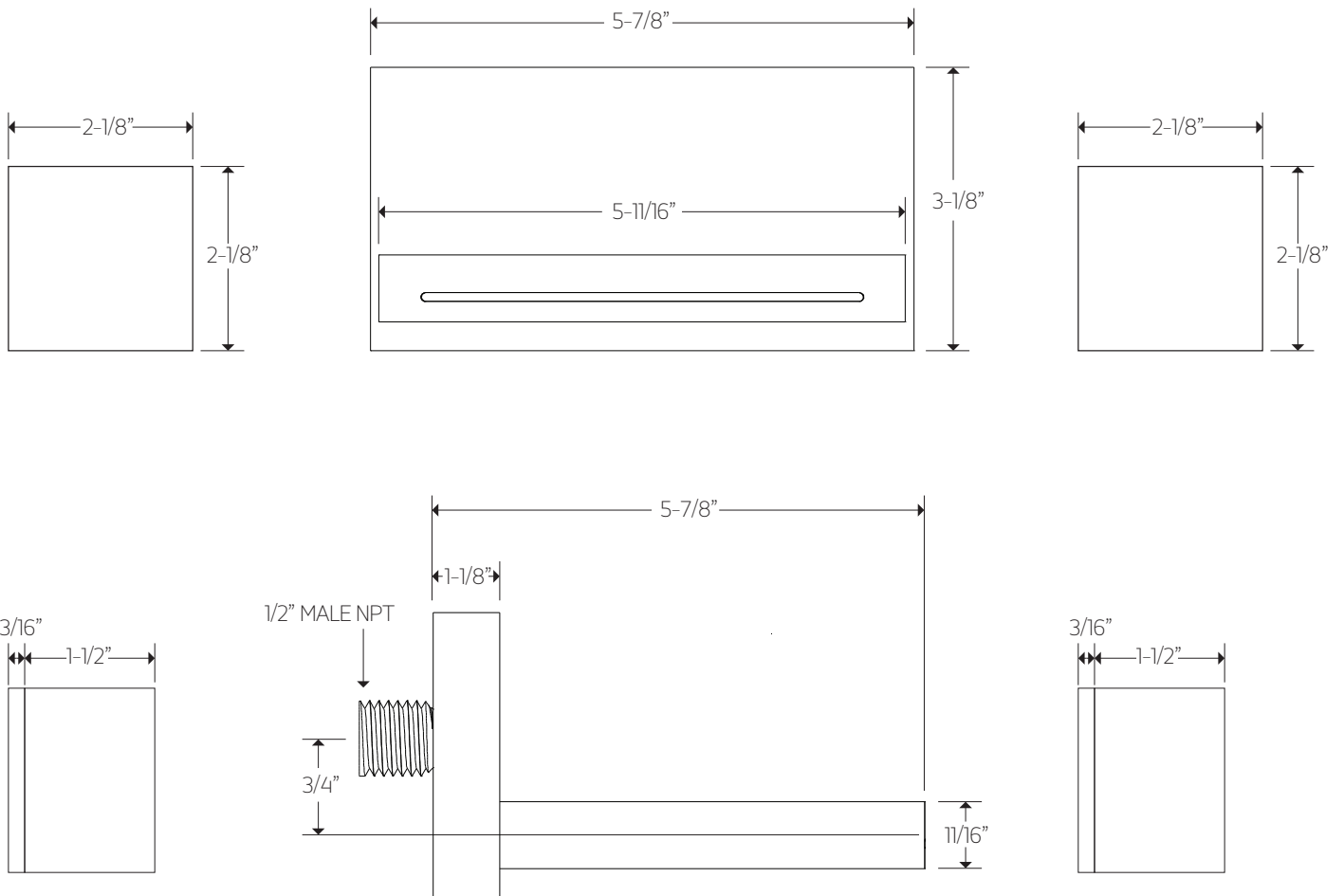


F202-14

TECHNICAL DATA SHEET

quarto 6", 3-hole wall mount
tub filler



artos

F202-14

quarto 6", 3-hole wall mount
tub filler

OPERATING SPECIFICATIONS

for associated valves | F906A-V0

OPERATING PRESSURE

Minimum: 15 psi
Maximum: 125 psi

FLOW CAPACITY

5.6USGPM@60 psi (each valve)
TOTAL= 11.2USGPM

INLET/OUTLET

1/2" Female NPT

STANDARDS

ASSE 1016.ASME A112.18.1/CSA B123.1 Certified

CODES

CUPC Approved

