

artos[®]

F501-3-1

INSTALLATION GUIDE

opera lav faucet

BRUSHED NICKEL(BN)



CHROME(CH)



artos[®]

F501-3-1

opera lav faucet

OPERATING SPECIFICATIONS



OPERATING PRESSURE

Minimum: 15 psi

Maximum: 75 psi

90psi+ may be necessary to install a pressure reducer

OPERATING TEMPERATURE

Maximum: 176°

FLOW RATE

1.2 USGPM

REQUIREMENTS

Max Surface Thickness: 1-5/8"

APPROVALS

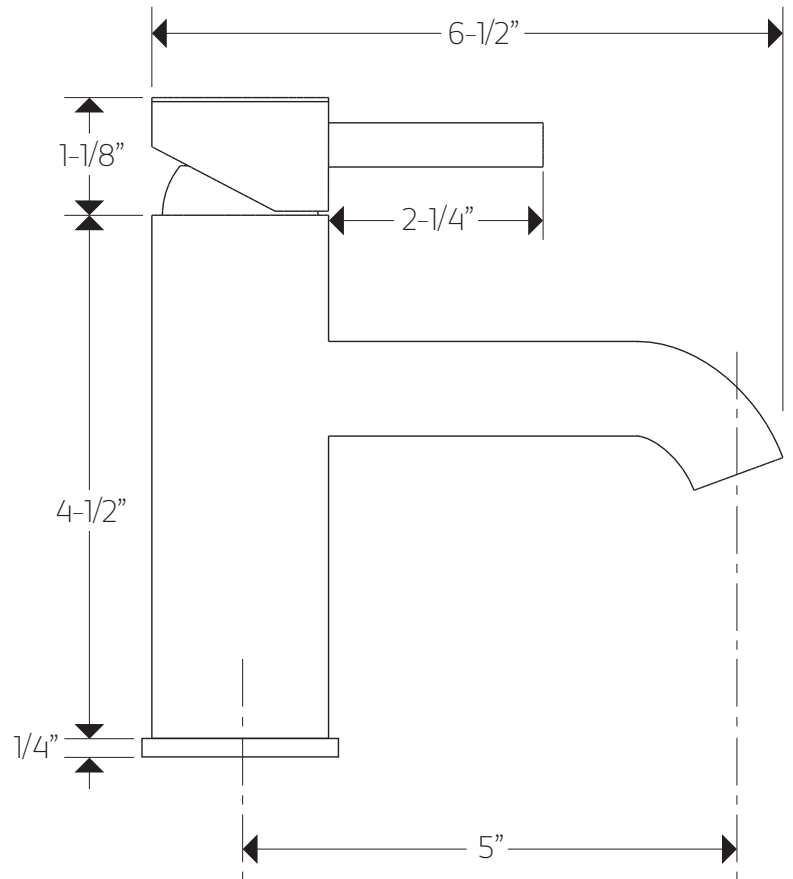
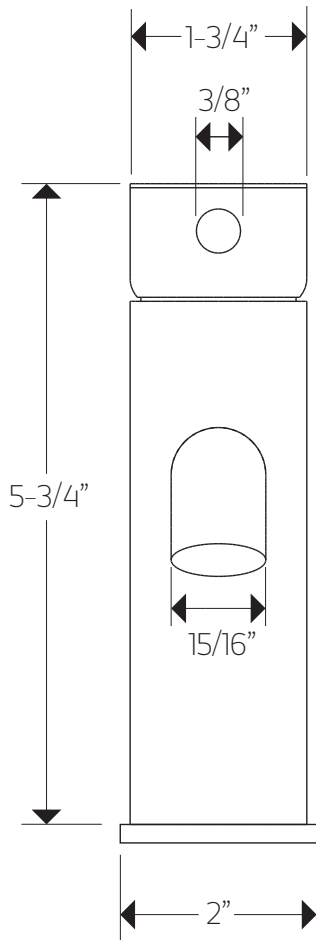


artos[®]

F501-3-1

PRODUCT DIMENSIONS

opera lav faucet

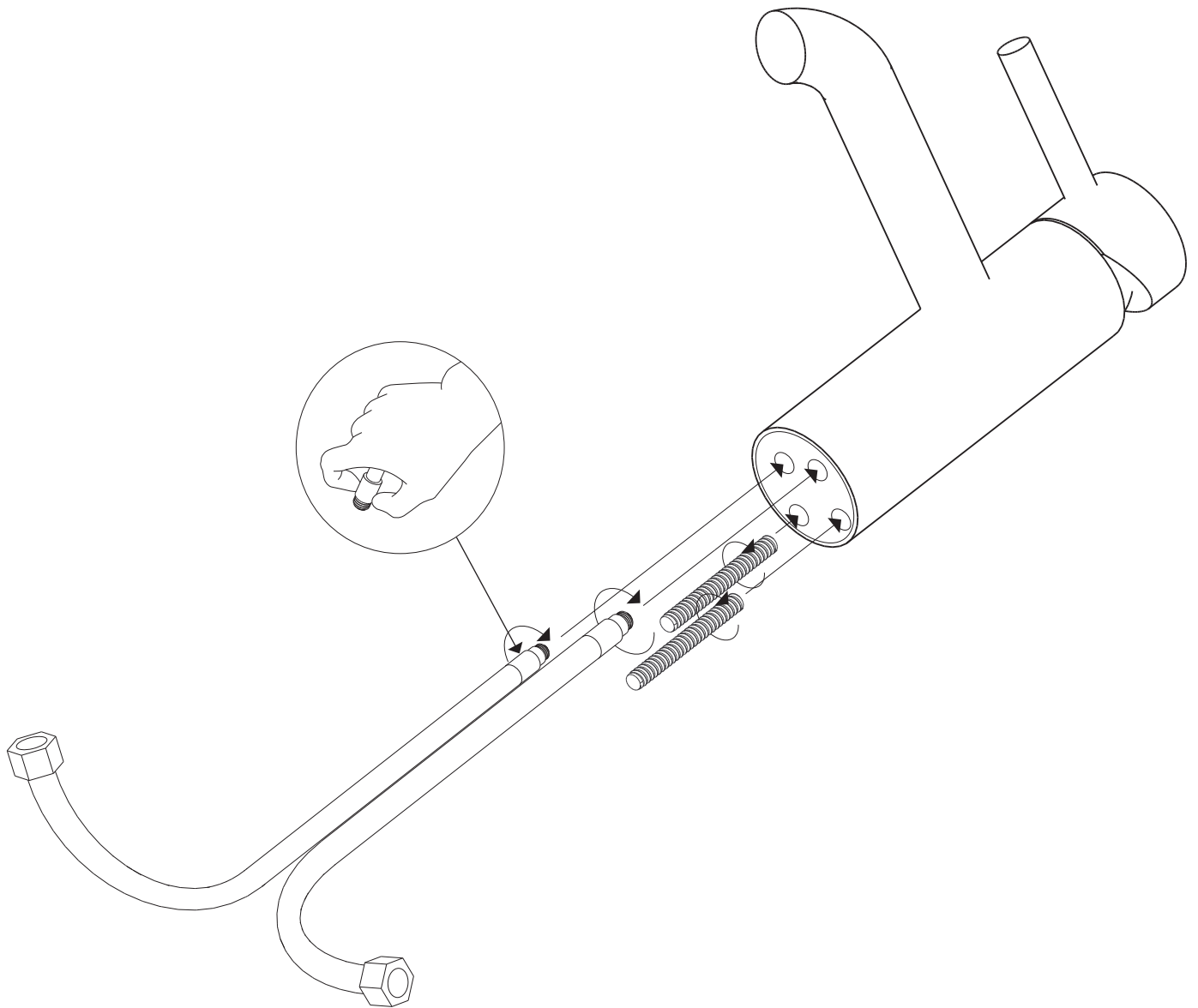


artos[®]

F501-3-1

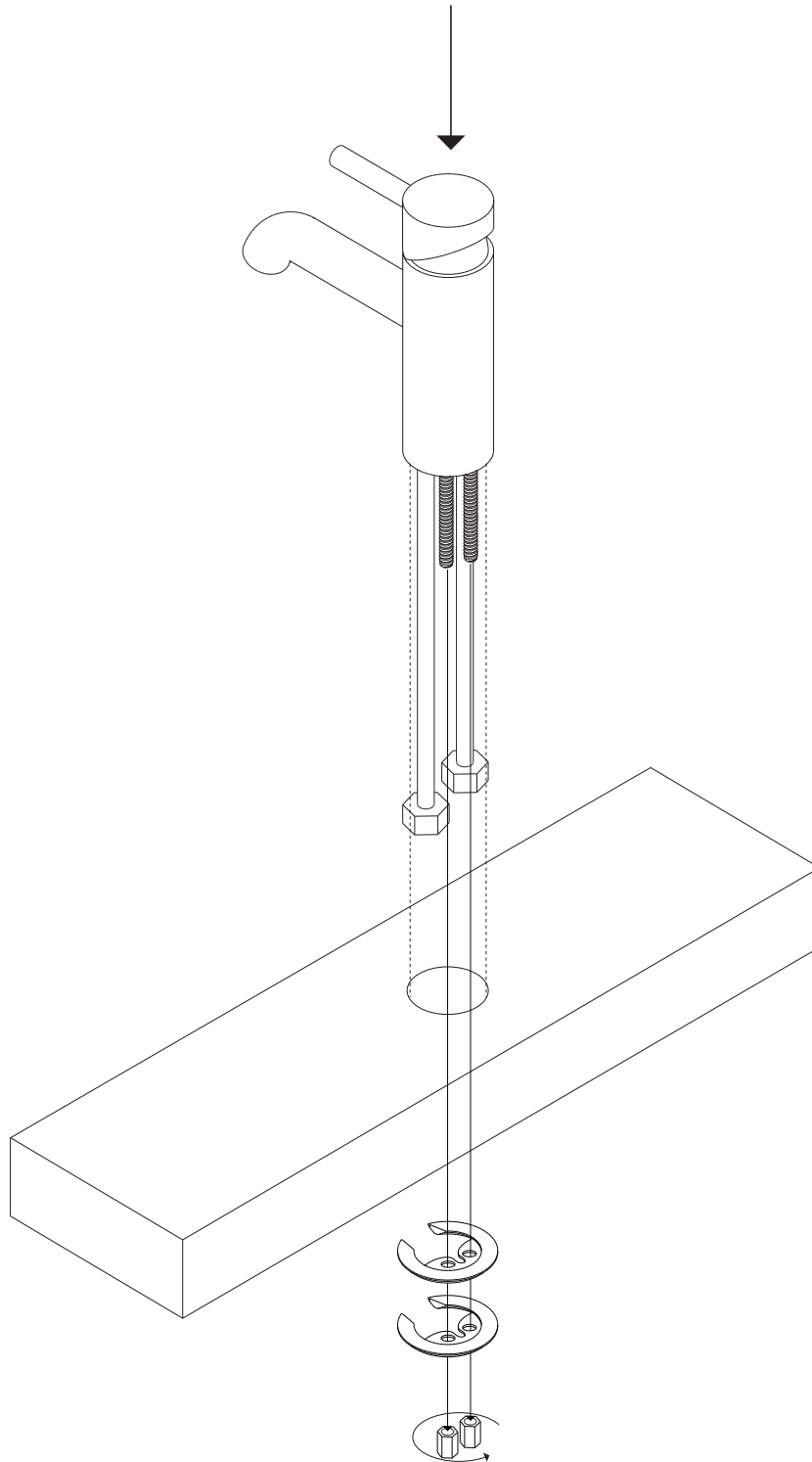
opera lav faucet

STEP 1

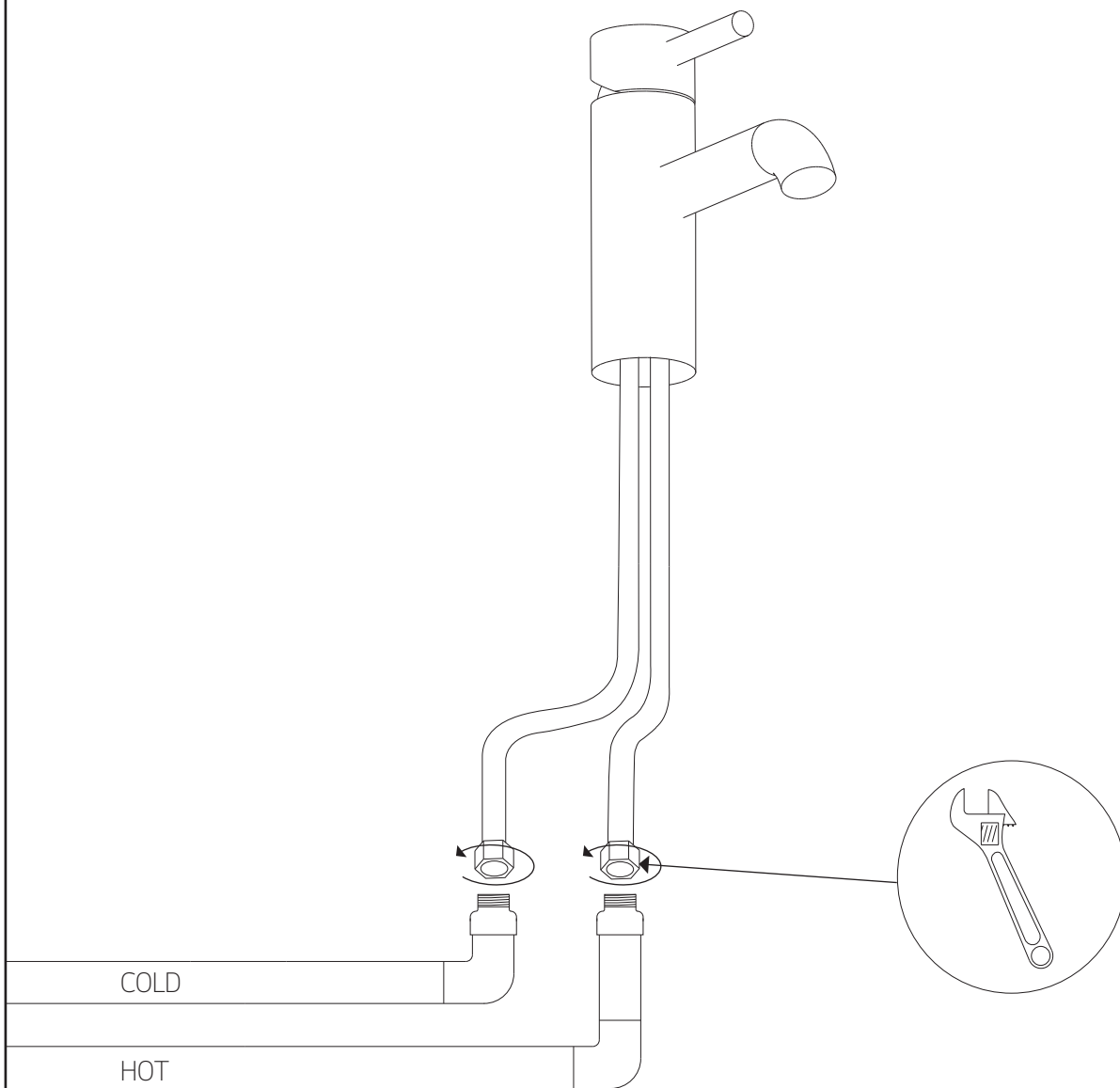


INSTALLATION STEPS

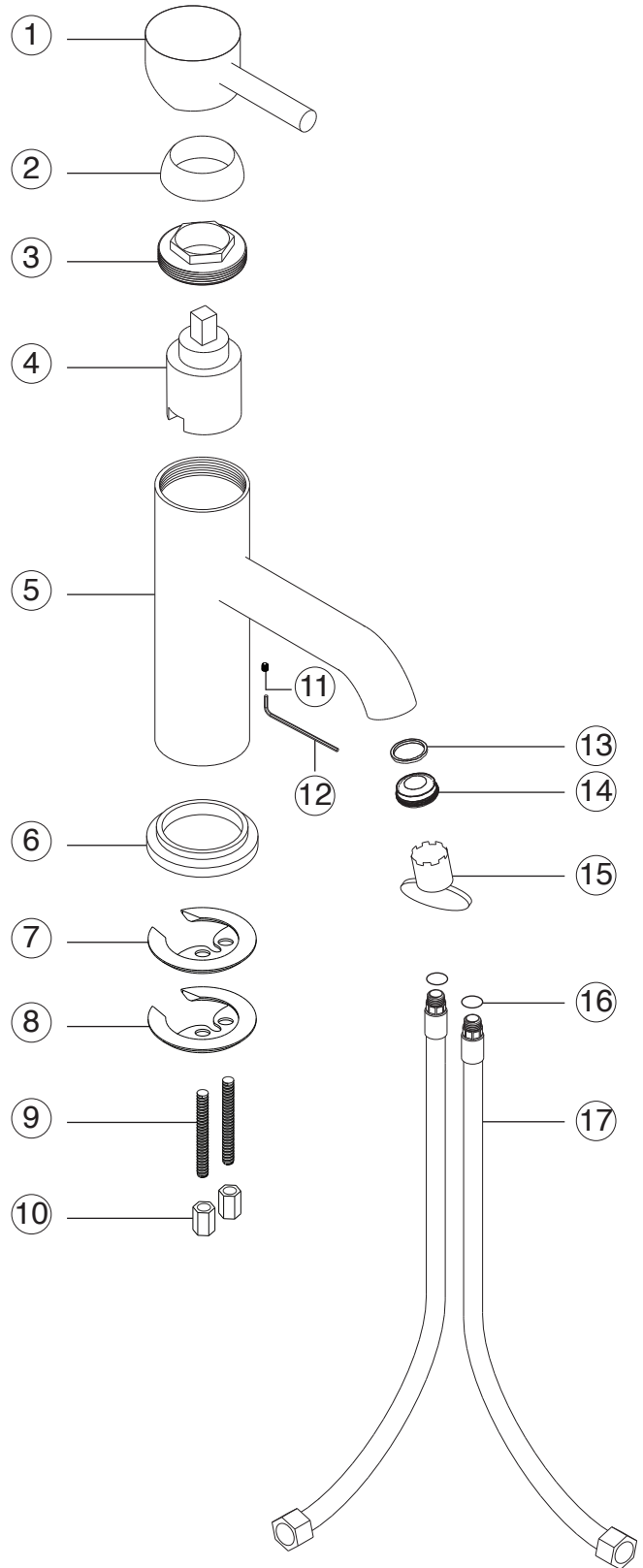
STEP 2



STEP 3



- ① **FAUCET HANDLE** F501-3-1 XP1
- ② **DRESS RING** F501-3-1 XP2
- ③ **CARTRIDGE SECURING NUT** F501-3-1 XP3
- ④ **CARTRIDGE** F501-3-1 XP4
- ⑤ **FAUCET BODY** F501-3-1 XP5
- ⑥ **FAUCET ESCUTCHEON** F501-3-1 XP6
- ⑦ **RUBBER WASHER** F501-3-1 XP7
- ⑧ **METAL WASHER** F501-3-1 XP8
- ⑨ **THREADED ROD(2)** F501-3-1 XP9
- ⑩ **UNDER DECK SECURING NUT(2)** F501-3-1 XP10
- ⑪ **FAUCET SPOUT SET SCREW** F501-3-1 XP11
- ⑫ **ALLEN WRENCH** F501-3-1 XP12
- ⑬ **AERATOR WASHER** F501-3-1 XP13
- ⑭ **AERATOR** F501-3-1 XP14
- ⑮ **AERATOR REMOVAL TOOL** F501-3-1 XP15
- ⑯ **SUPPLY HOSE O-RING(2)** F501-3-1 XP16
- ⑰ **SUPPLY HOSE(2)** F501-3-1 XP17



For best results, keep the following in mind to retain the high quality finish of your artos® faucets:

- Use a soft, dampened sponge or cloth. On no account should you use an abrasive material such as a brush, scouring pad or steel wool to clean surfaces.
- Test your cleaning agent solution on an inconspicuous area before applying to the entire faucet.
- Wipe surfaces clean and rinse completely with water immediately after applying cleaning agent.
- An ideal cleaning technique is to rinse faucet thoroughly and blot dry any water from the surface after each use.

LIMITED LIFETIME WARRANTY

UWR/LPLWHG/LIHWLPH:DUUDW

UWRIDXFHWKDEHHPDXIDFWXUHGXGHUWKHKLKHWTXDOLWDGPDXIDFWXULWDGDUGUWR
IDXFHWDUHXDUDWHHGIRUOLIHDDLWOHDNDGPDXIDFWXULGHIHFWIRUDORDWKHRULLDO
FRXPHUSXUFKDHURLW7KLDUUDWDSSOLHWRLWDOODWLRWLK86DDGDDG0HLFR
TRUWKPHULFDRPPHUFLLDO,GXWULDORUEXLHXHDUHDUUDWHGIRUDSHULRGRIRHHDUIURP
WKHRULLDOGDWHRISXUFKDH

7KLDUUDWLRWUDIHUDEOHDGSSOLHFOXLHOWRWKHRULLDORHURUHGXHU ,IDGHIHFWL
IRXGGXULRUPDOXHURLOODWLWHOFWLURHSDLUUHSODFHRUPDNHDDSSURSULDWHDGMXWPHW
DPDHFDXHGEDFFLGHWPLXHDEXHLPURSUSLWDOODWLRURUDOWHWDWLRLOORLWGWKHUUDW
7KLDUUDWGRHRWFRHUUHSODFHPHWSDUWKHUHGDPDHLFDXHGGERUPDOHDUDGWHDU
/DERUFKDUHLWDOODWLRURURWKHULFLGHWDORUFRHTXHWLDOFRWLOORWEHFRHUHG

5HSODFHPHWSDUWWKDWTXDOLIIRUDUUDWUHSDLUFDEHREWDLHGFEFRWDFWLUWRDW
5726RUEHPDLODWLIRDURXFRP3URRIRISXUFKDHURULLDODOHUHFHLSWIUR PWKH
RULLDOFRXPHUSXUFKDHUPXWDFFRPSDDOODUUDWFODLP:KHXEPLWWLRXUFODLP L
ULWLSOHDHSURLGHRXUDPHDGGUHDGWHOHOSKRHXPEHU

3 0 H D H U H L W H U W K L W R U B G X I F D W : : : 5 7 2 6 8 6 2 0

, W H P 1 R)) \$ % - 3 - %
G Y f j U ` B c .