

artos[®]

F802-3

INSTALLATION GUIDE

kascade wall mount tub filler

BRUSHED NICKEL(BN)



CHROME(CH)



artos[®]

F802-3

OPERATING SPECIFICATIONS

kascade wall mount tub filler



OPERATING PRESSURE

Minimum: 15 psi

Maximum: 75 psi

Above 90psi it may be necessary to install a pressure reducer

OPERATING TEMPERATURE

Maximum: 176°

FLOW RATE

9.7 USGPM

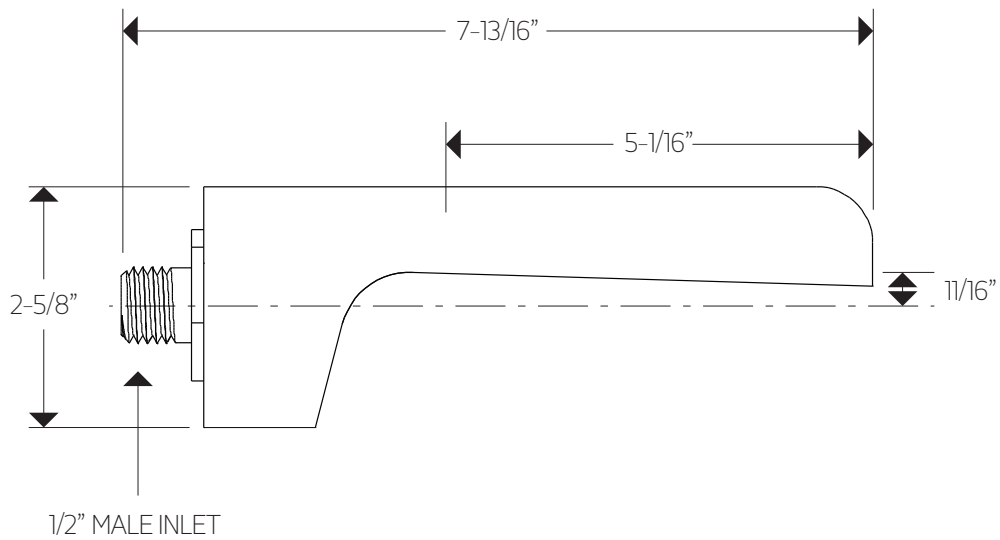
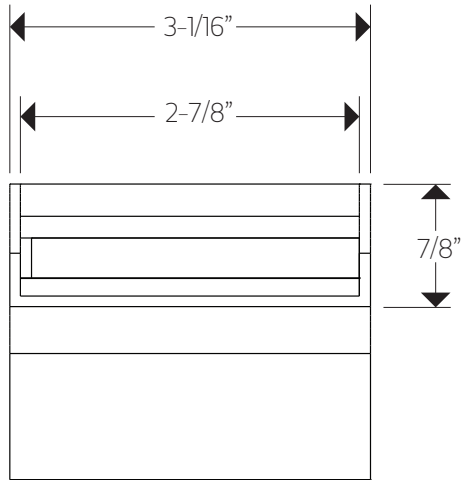
INLET/OUTLET

1/2" Female

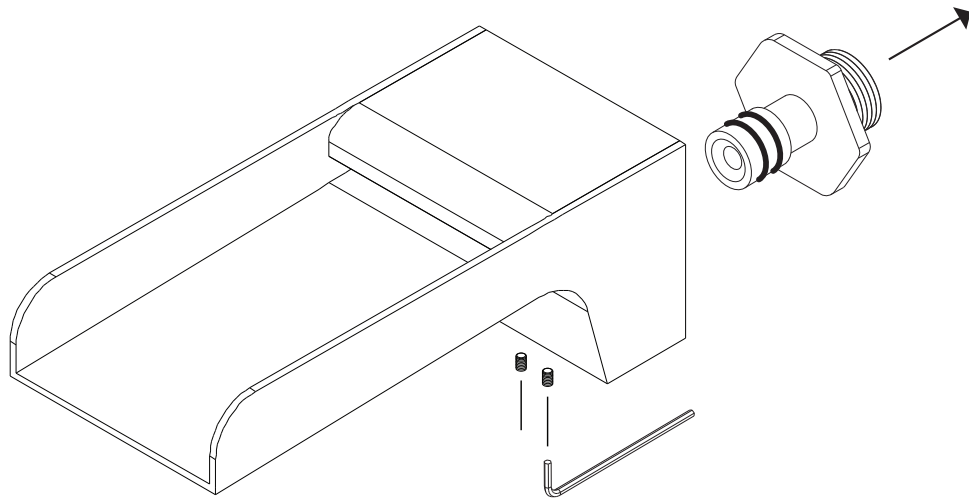
REQUIREMENTS

This unit requires a control

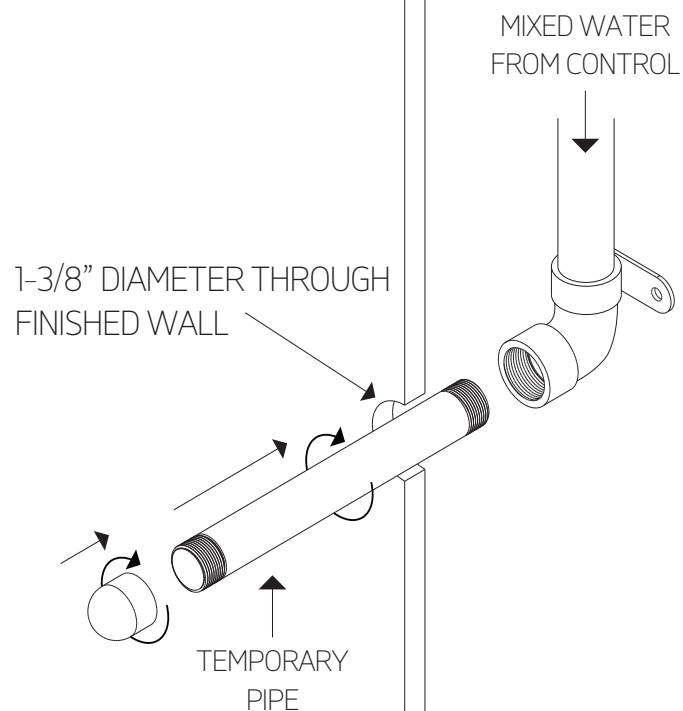
kascade wall mount tub filler



STEP 1

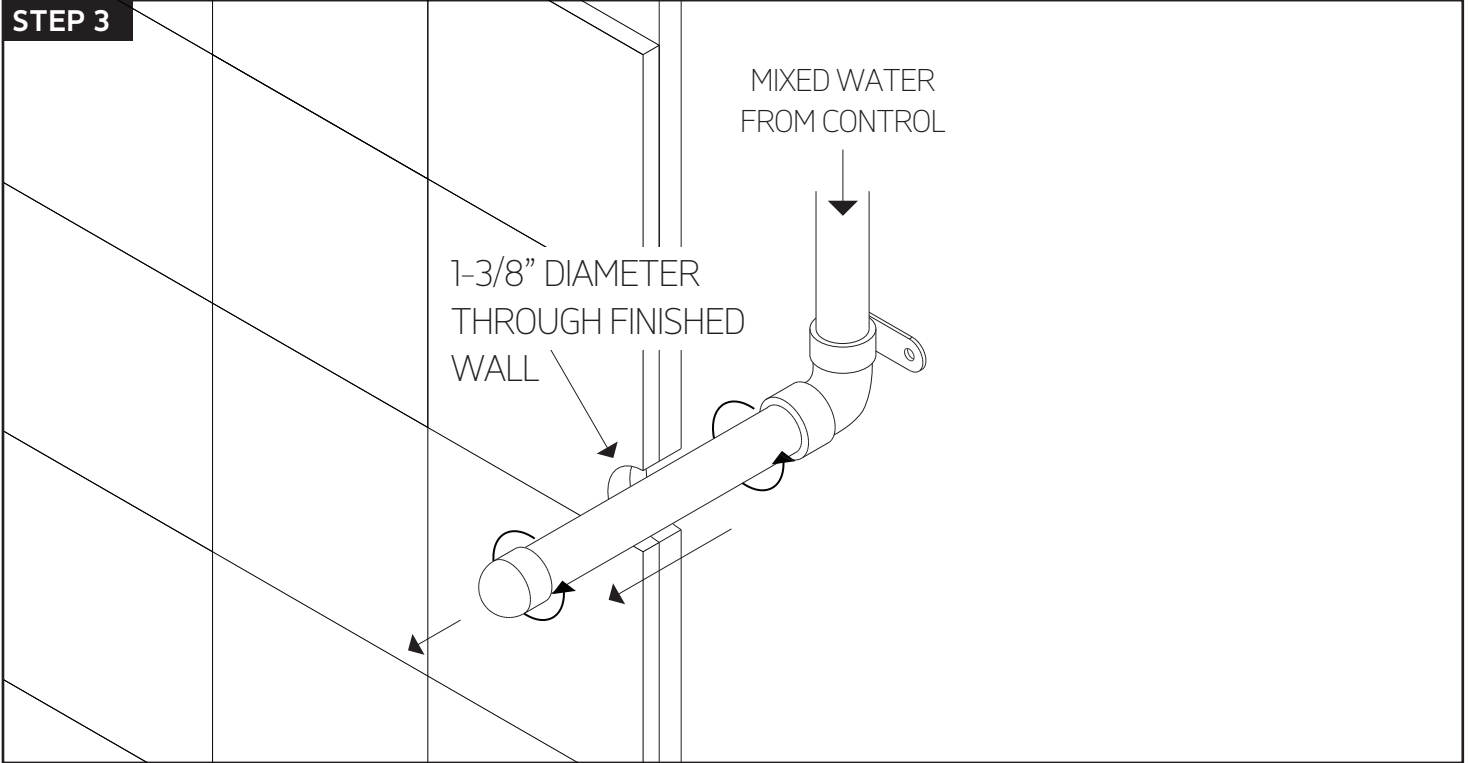


STEP 2

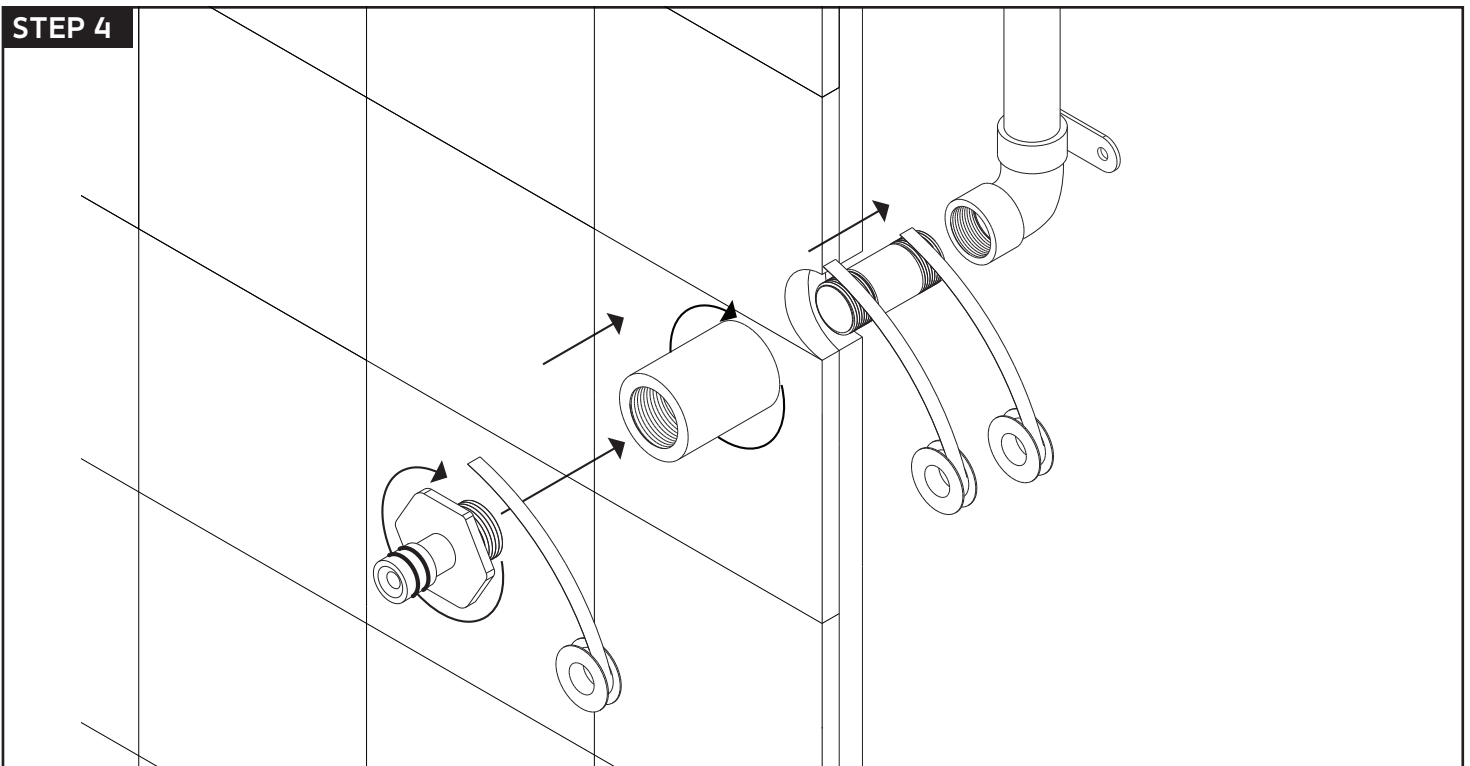


INSTALLATION STEPS

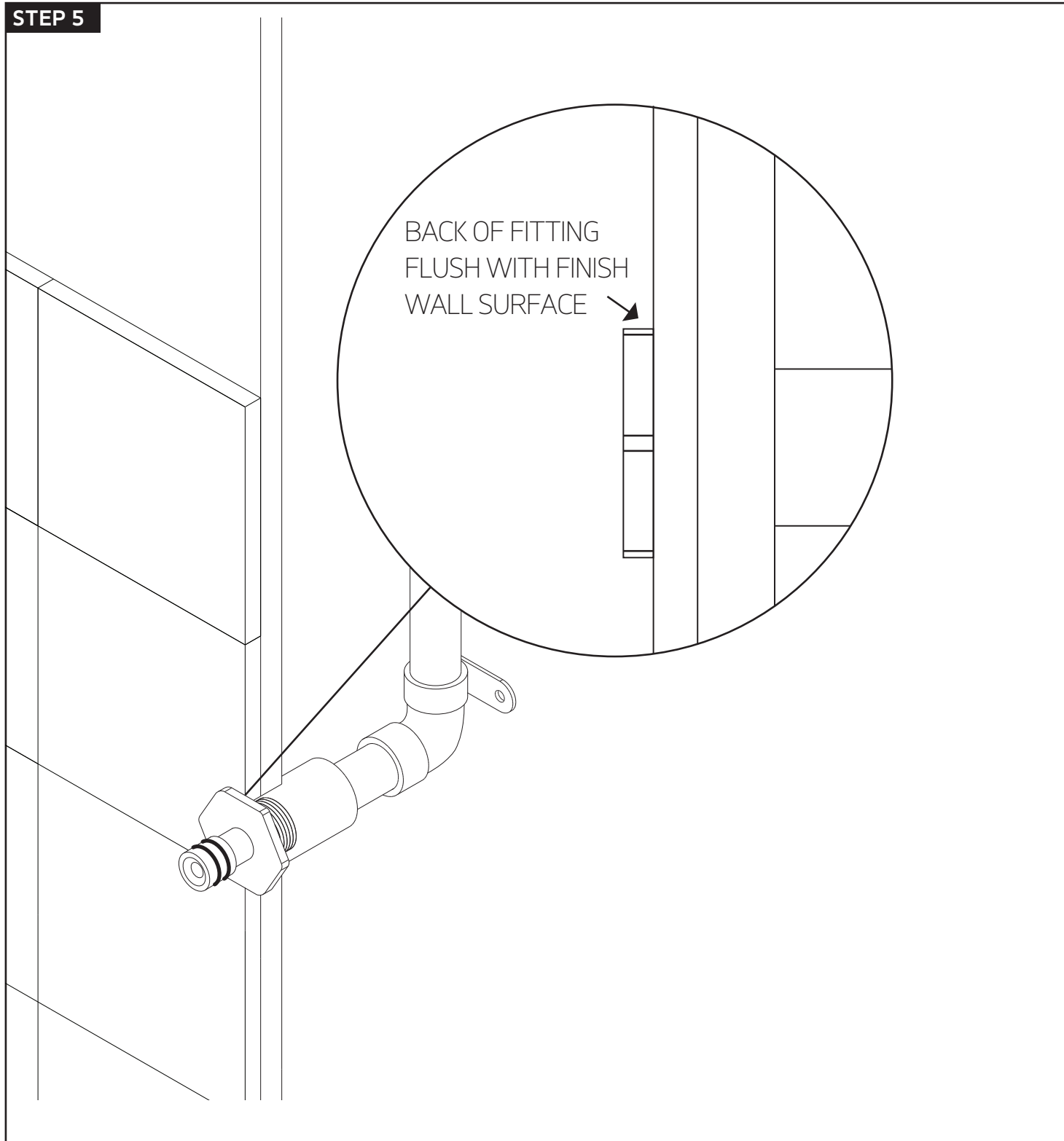
STEP 3



STEP 4

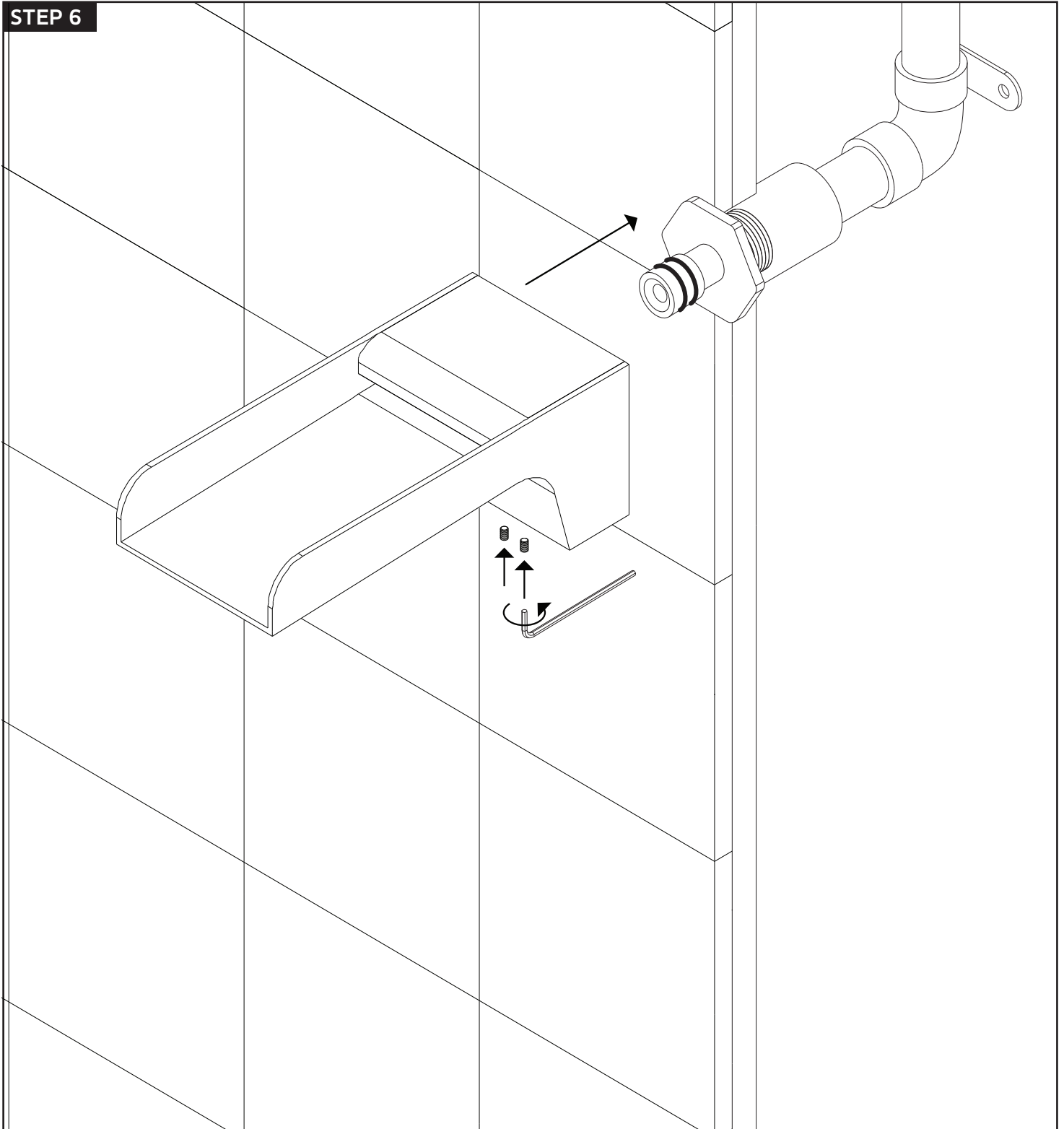


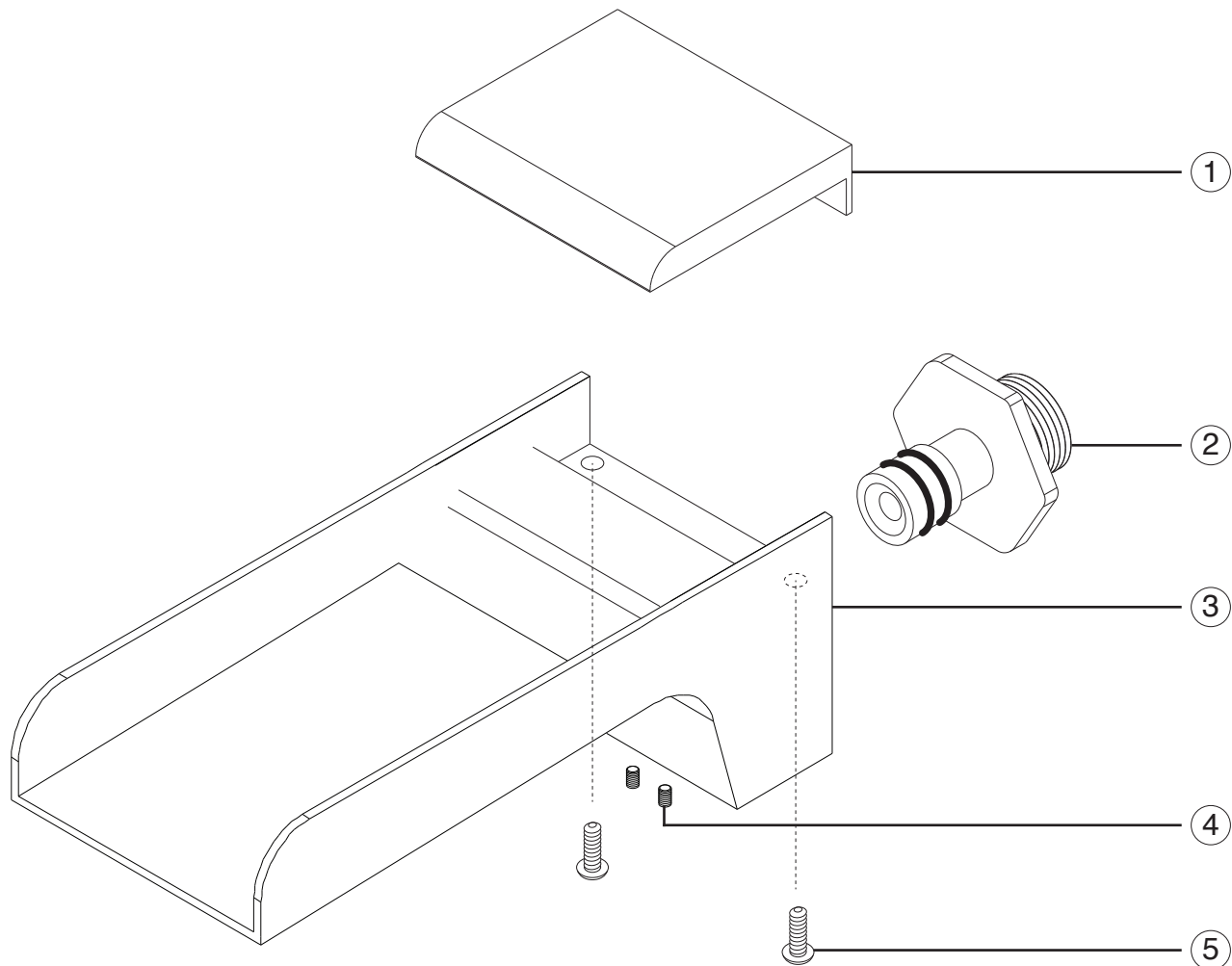
STEP 5



INSTALLATION STEPS

STEP 6





- ① **BODY COVER** F802-3 XP1
- ② **FEMALE CONNECTION** F802-3 XP2
- ③ **BODY** F802-3 XP3
- ④ **SET SCREWS** F802-3 XP4
- ⑤ **COVER SCREWS** F802-3 XP5

kascade wall mount tub filler

For best results, keep the following in mind to retain the high quality finish of your artos[®] faucets:

- Use a soft, dampened sponge or cloth. On no account should you use an abrasive material such as a brush, scouring pad or steel wool to clean surfaces.
- Test your cleaning agent solution on an inconspicuous area before applying to the entire faucet.
- Wipe surfaces clean and rinse completely with water immediately after applying cleaning agent.
- An ideal cleaning technique is to rinse faucet thoroughly and blot dry any water from the surface after each use.

LIMITED LIFETIME WARRANTY

UWR/LPLWHG/LIHWLPH:DUUDW

UWRIDXFHWKDHEHHPDXIDFWXUHGXGHUWKHKLKHWTXDOLWDGPDXIDFWXULWDGDUGUWR
IDXFHWDUHXDUDWHHGIRUOLIHDDLWOHDNDGPDXIDFWXULGHIHFWIRUDORDWKHRULLDO
FRXPHUSXUFKDHURLW7KLDUUDWDSSOLHWRLWDOODWLRWLWKH86DDGDDG0HLFR
TRUWKPHULFDRPPHUFLO,GXWULDORUEXLHXHDUHDUUDWHGIRUDSHULRGRIRHHDIURP
WKHRULLDOGDWHRISXUFKDH

7KLDUUDWLRWUDIHUDEOHDGDSSOLHHFOXLHOWRWKHRULLDORHURUHGXHU ,IDGHIHFWL
IRXGGXULRUPDOXHUWRLOODWLWHOFWLRUHSDLUUHSODFHRUPDNHDDSSURSULDWHDGMXWPHW
DPDHFDXHGEDFFLGHWPLXHDEXHLPURSUSHLWDOODWLRRLRUDOWHUDWLRLOORLGWKHDUUDW
7KLDUUDWGRHRWFRHUUHSODFHPHWSDUWKHUHGDPDHLFDXHGGERUPDOHDUDGWHDU
/DERUFKDUHLWDOODWLRRLRURWKHULFLGHWDORUFRHTXHWLDOFRWLOORWEHFRHUHG

5HSODFHPHWSDUWWKDWTXDOLIIRUDUUDWUHSDLUFDEHREWDLHGFEFRWDFWLUWRDW
5726RUEHPDL0DWLIRDURXFRP3URRIRISXUFKDHULLDODOHUHFHLSWIUR m the

online at [WWW .](http://WWW.ARTOS.US.COM)

Item No : **F 802-3**
Serial No :