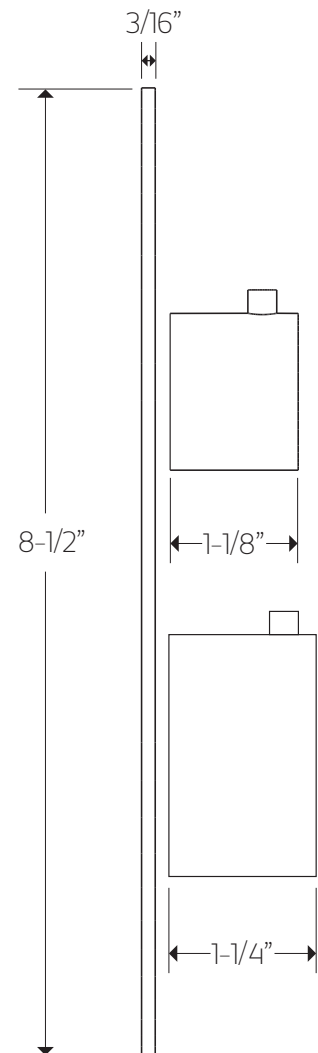
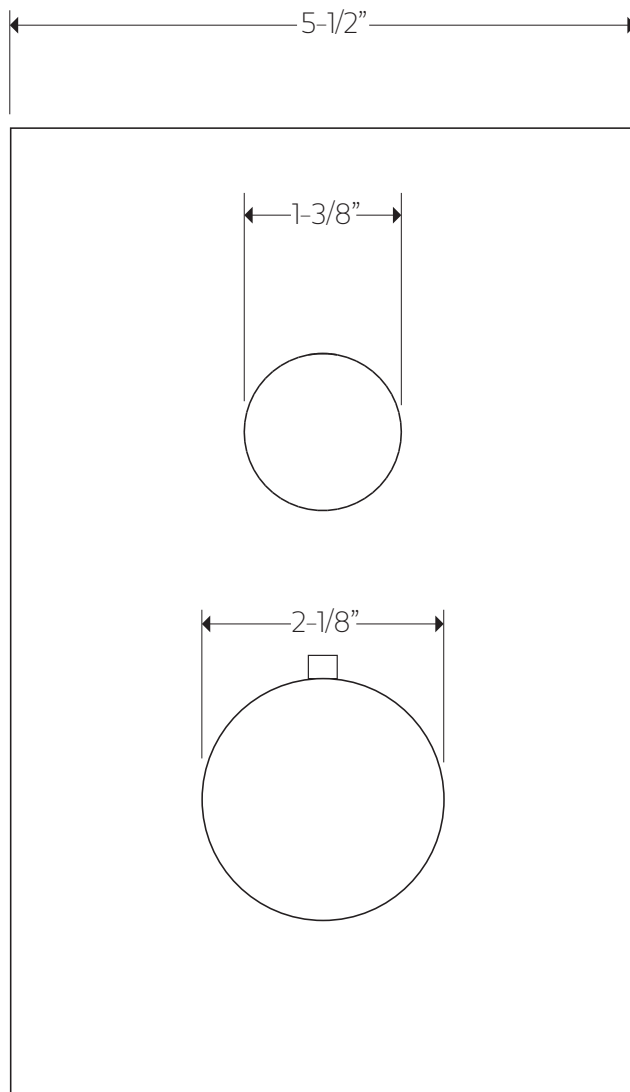




F903B-60TK

TECHNICAL DATA SHEET

thermostatic with 3-way
diverter, trim kit only r+s



artos[®]

F903B-60TK

thermostatic with 3-way
diverter, trim kit only r+s

OPERATING SPECIFICATIONS

for associated valve | F943-V0



FEATURES

Solid Brass
3 functions, plus off position
Top diverter handle has optional lever knob

MIXED WATER TEMPERATURE

Maximum: 120°F

HOT WATER SUPPLY TEMPERATURE

Maximum: 180°F

Minimum: 50°F

Advisable: 150°F- 160°F

Minimum difference between hot mixed temperature 50°F

OPERATING PRESSURE

Maximum: 125psi

Minimum: 20psi

Recommended: 30psi- 95psi

Operating pressures (on hot and cold lines) should be kept as balanced as possible, in order to assure the maximum efficiency.