

artos[®]

F803-5V0

INSTALLATION GUIDE

dual function shower head
valve

BRUSHED NICKEL(BN)



CHROME(CH)



artos[®]

F803-5V0

dual function shower head
valve

OPERATING SPECIFICATIONS



FEATURES

Dual Function- Rainhead, Waterfall or both

OPERATING PRESSURE

Minimum: 15 psi

Maximum: 75 psi

Above 90psi it may be necessary to install a pressure reducer

OPERATING TEMPERATURE

Maximum: 176°

INLET/OUTLET

1/2" Female NPT

FLOW RATE

Rainhead: 1.8 GPM

Waterfall: 1.8 GPM

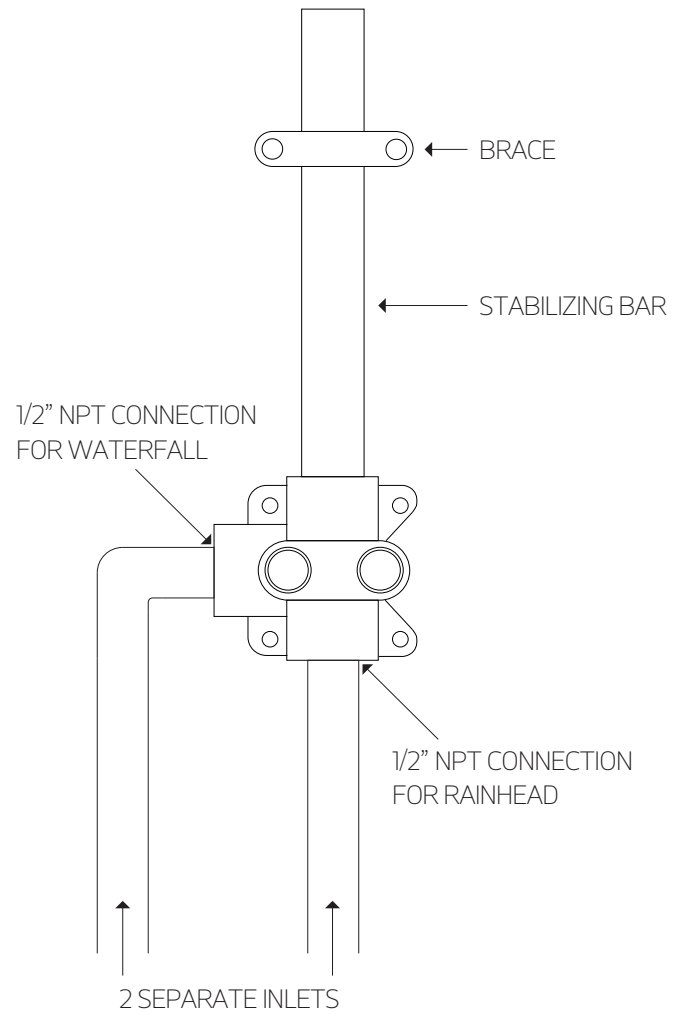
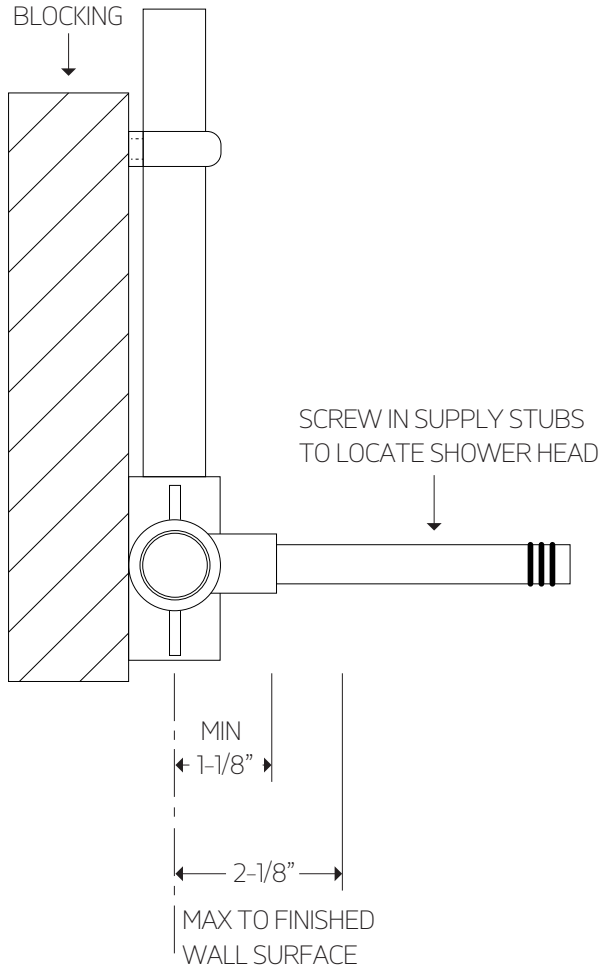
REQUIREMENTS

This unit requires 2 inlet controls

APPROVALS



dual function shower head
valve

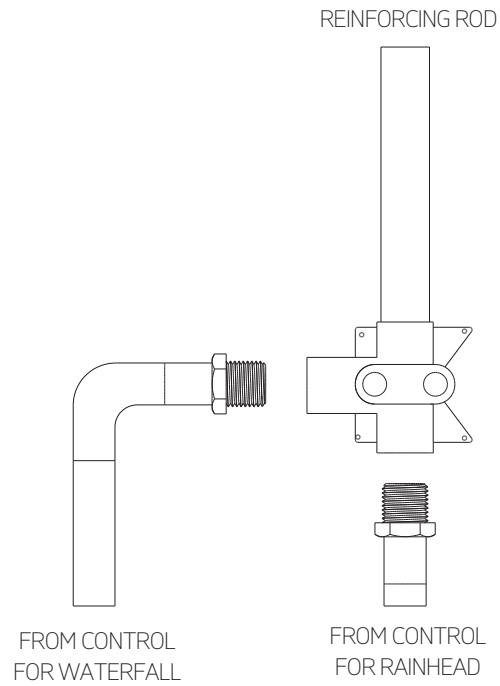


artos[®]

F803-5V0

dual function shower head
valve

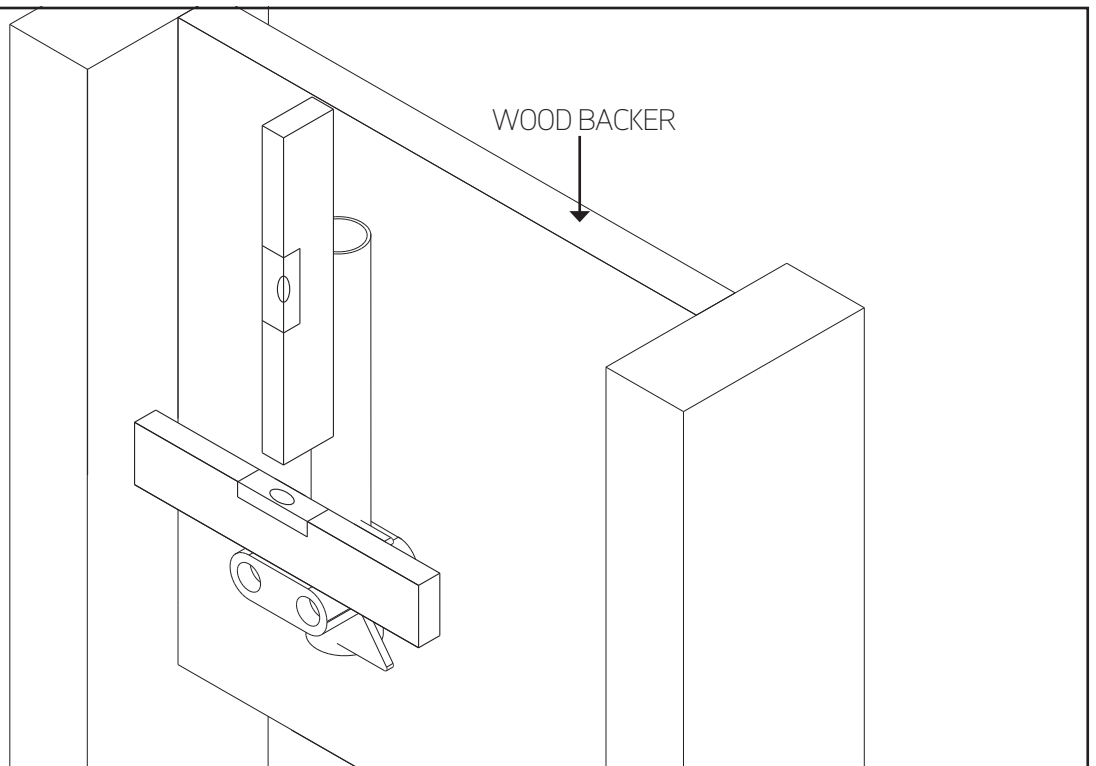
STEP 1



STEP 2

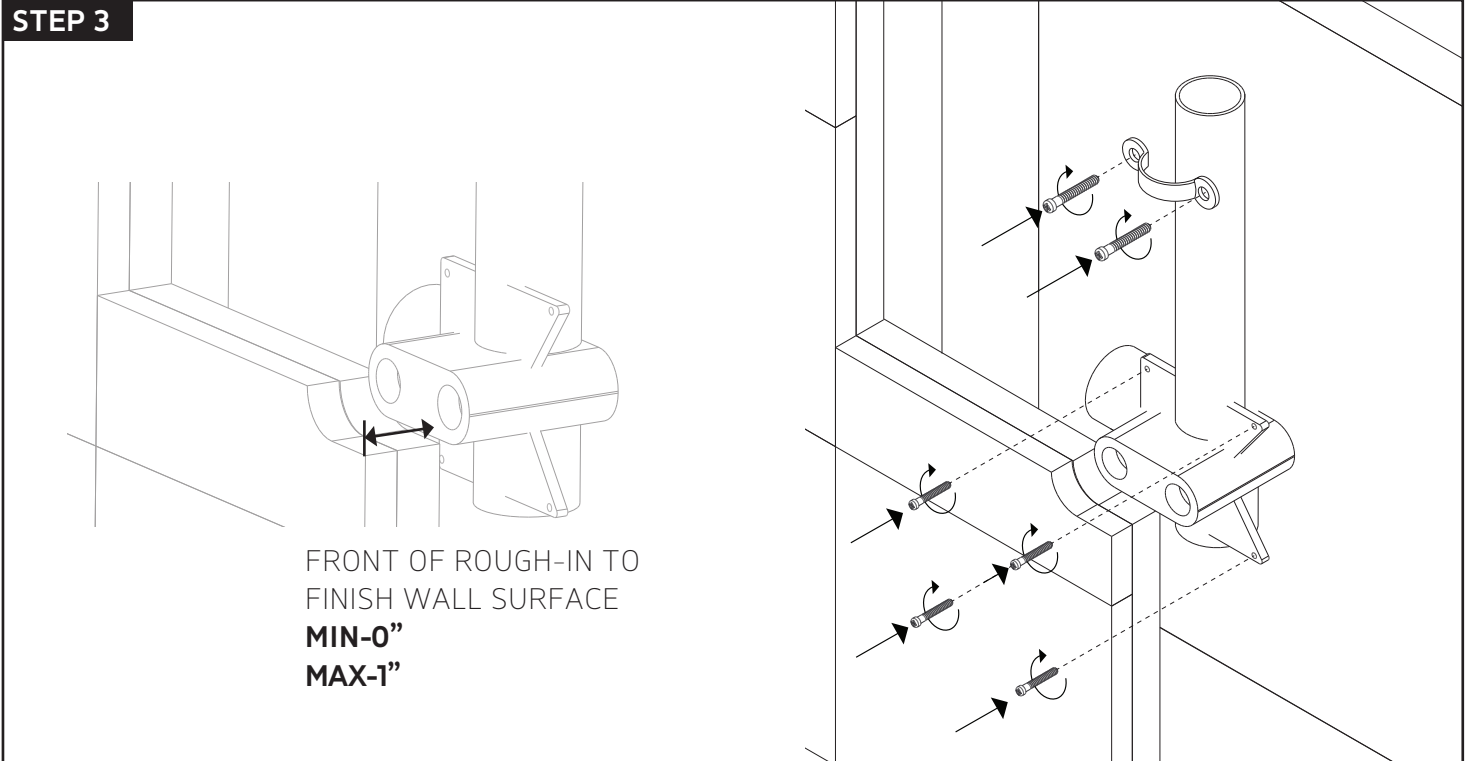
USE LEVEL TO ENSURE
ROUGH-IN IS SQUARE

WOOD BACKER

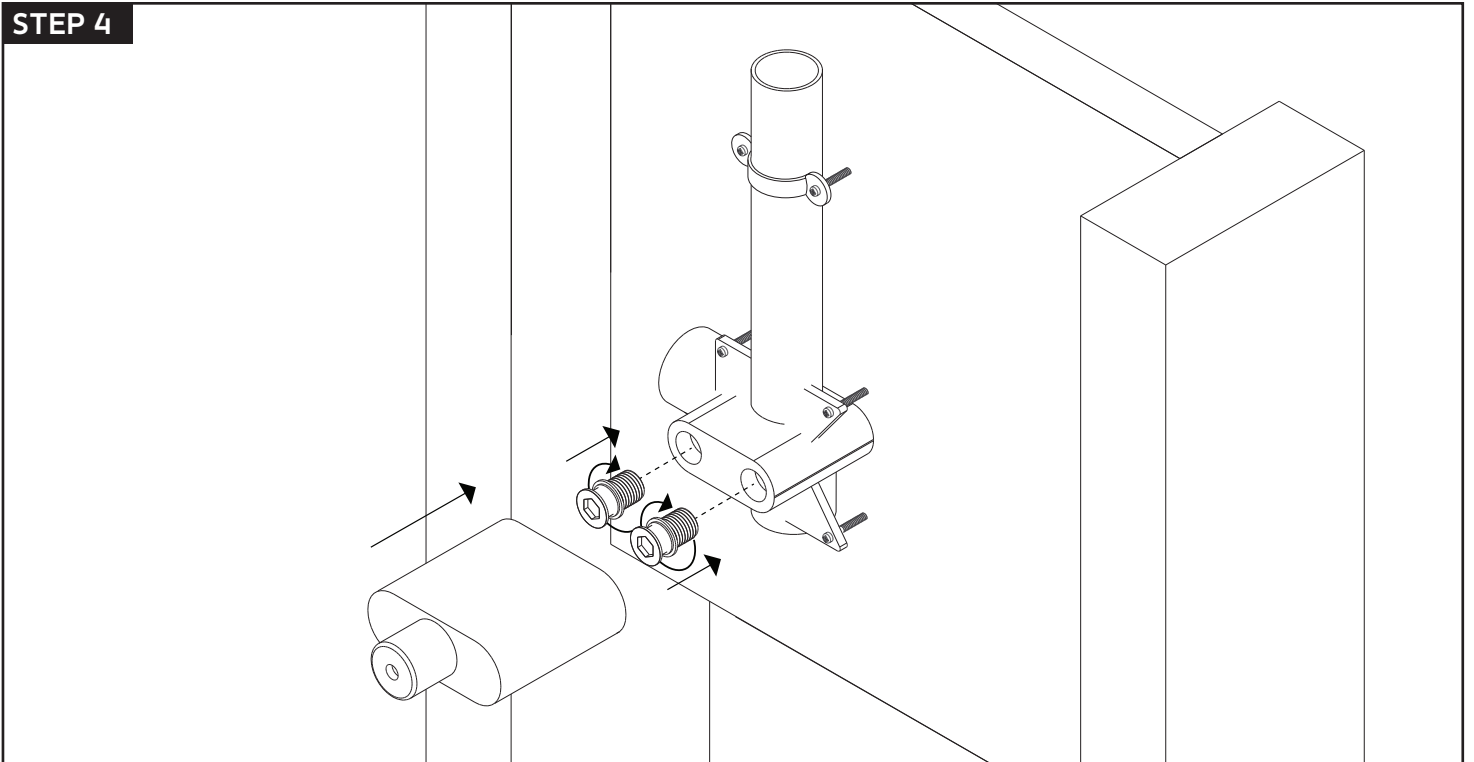


INSTALLATION STEPS

STEP 3



STEP 4

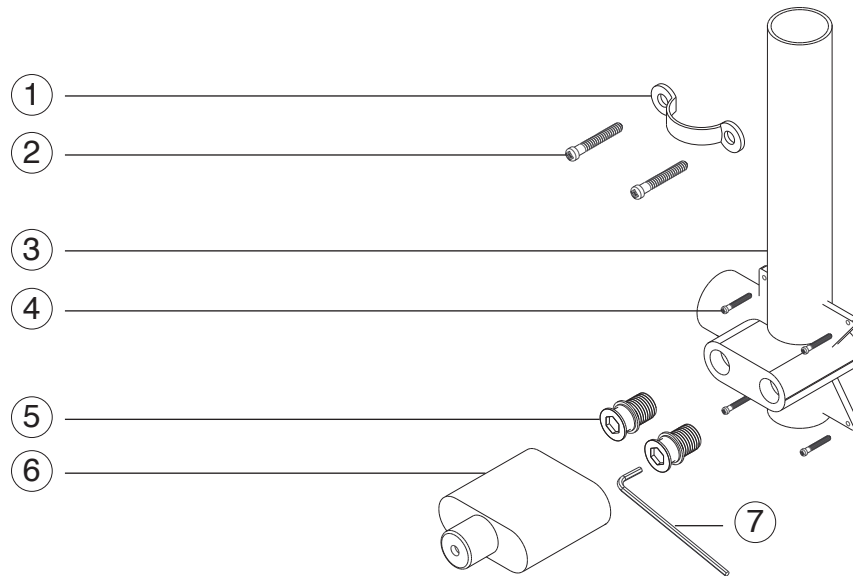


artos[®]

F803-5V0

PARTS BREAKDOWN

dual function shower head
valve



- ① **SUPPORT BAR BRACKET** F803-5V0 XP1
- ② **SUPPORT BRACKET SCREWS(4)** F803-5V0 XP2
- ③ **ROUGH-IN** F803-5V0 XP3
- ④ **ROUGH-IN SCREWS(4)** F803-5V0 XP4
- ⑤ **BLANK PLUGS(2)** F803-5V0 XP5
- ⑥ **PLASTER GUARD** F803-5V0 XP6
- ⑦ **ALLEN WRENCH** F803-5V0 XP7

