

artos®

the art of style

BRUSHED NICKEL (BN)



OIL RUBBED BRONZE (OB)



CHROME (CH)



WHITE (WH)



POLISHED NICKEL (PN)



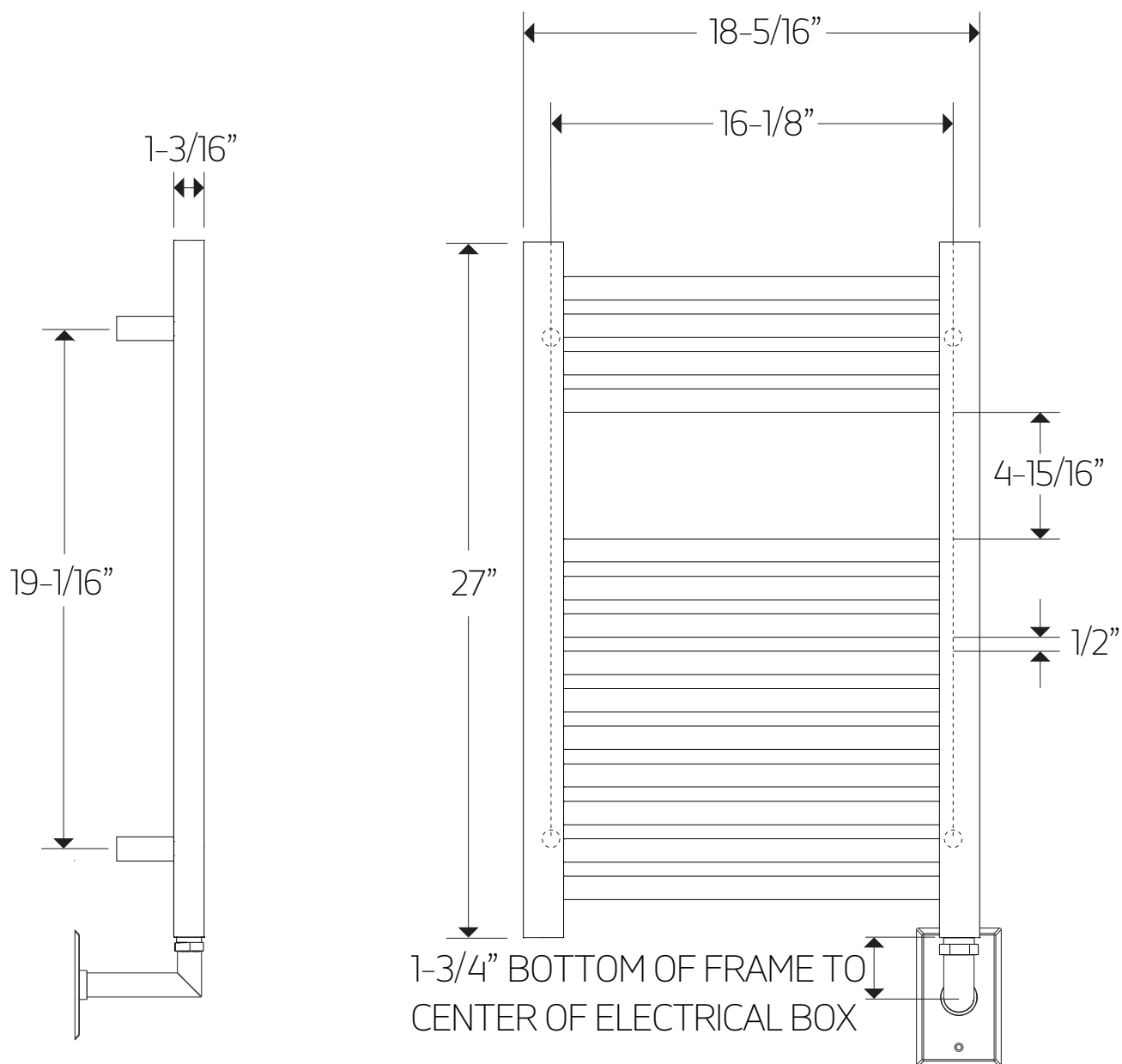
BLACK (BK)



M06845W

TECHNICAL DATA SHEET

denby towel warmer,
hardwired



artos[®]

M06845W

denby towel warmer,
hardwired

OPERATING SPECIFICATIONS



FEATURES

Towel warming, drying and auxiliary heating.

ELEMENT

200W, 110V

CODES

UL Approved
CSA-US Approved

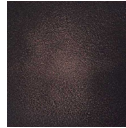
REQUIREMENTS

The towel warmer must be installed so that the element is at the bottom.

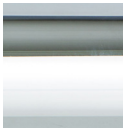
BRUSHED NICKEL(BN)



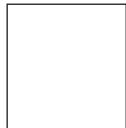
OIL RUBBED BRONZE(OB)



CHROME(CH)



WHITE(WH)



POLISHED NICKEL(PN)



BLACK(BK)

