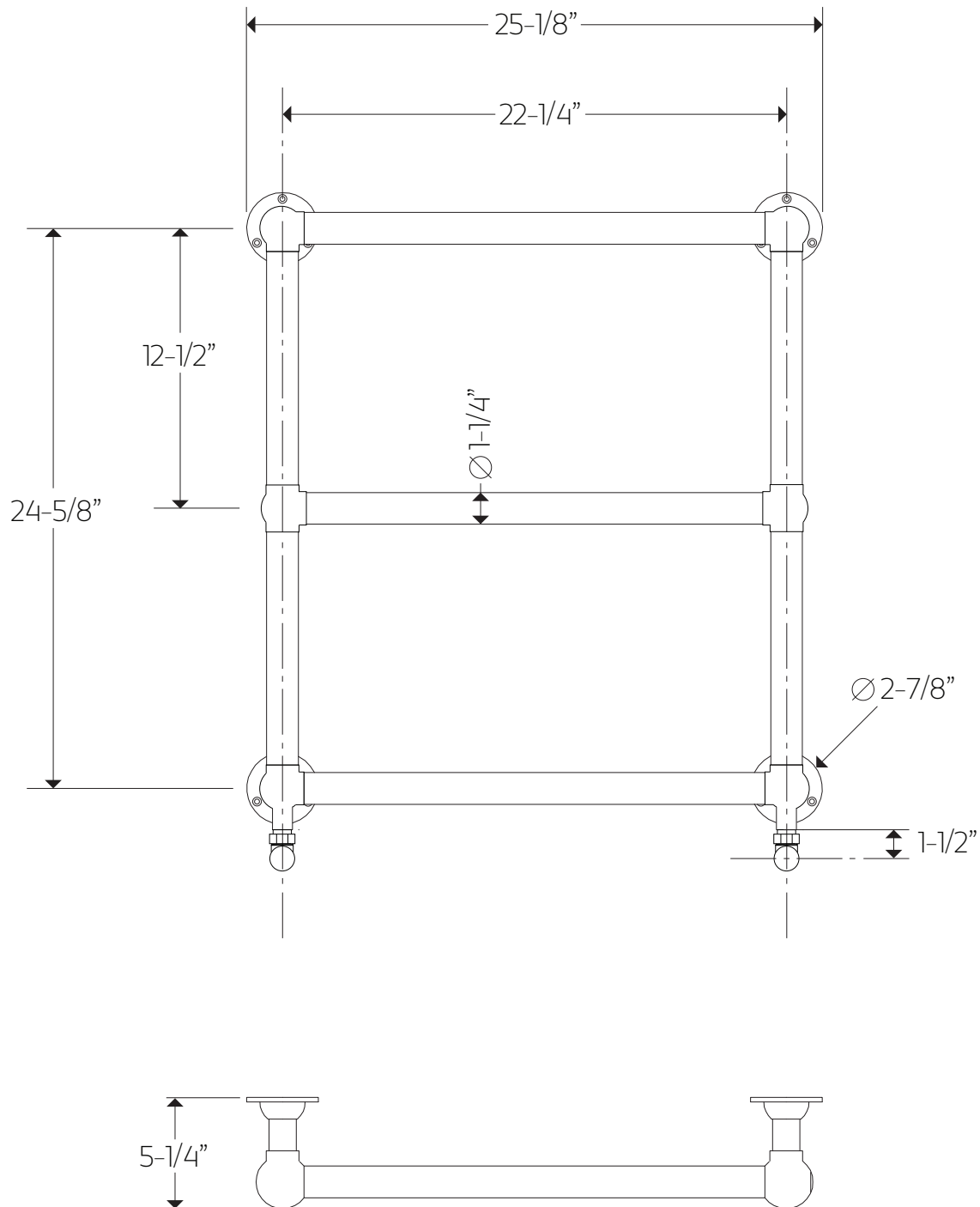




## T-ST060H

## TECHNICAL DATA SHEET

stour towel warmer,  
hydronic



# artos<sup>®</sup>

## T-ST060H

stour towel warmer,  
hydronic

## OPERATING SPECIFICATIONS



### FEATURES

Towel warming, drying and auxiliary heating.

### HEAT OUTPUT

815 BTU

### CODES

UL Approved  
CSA-US Approved

### REQUIREMENTS

Towel warmers must be used in a closed water system, incorporating a rust inhibitor.