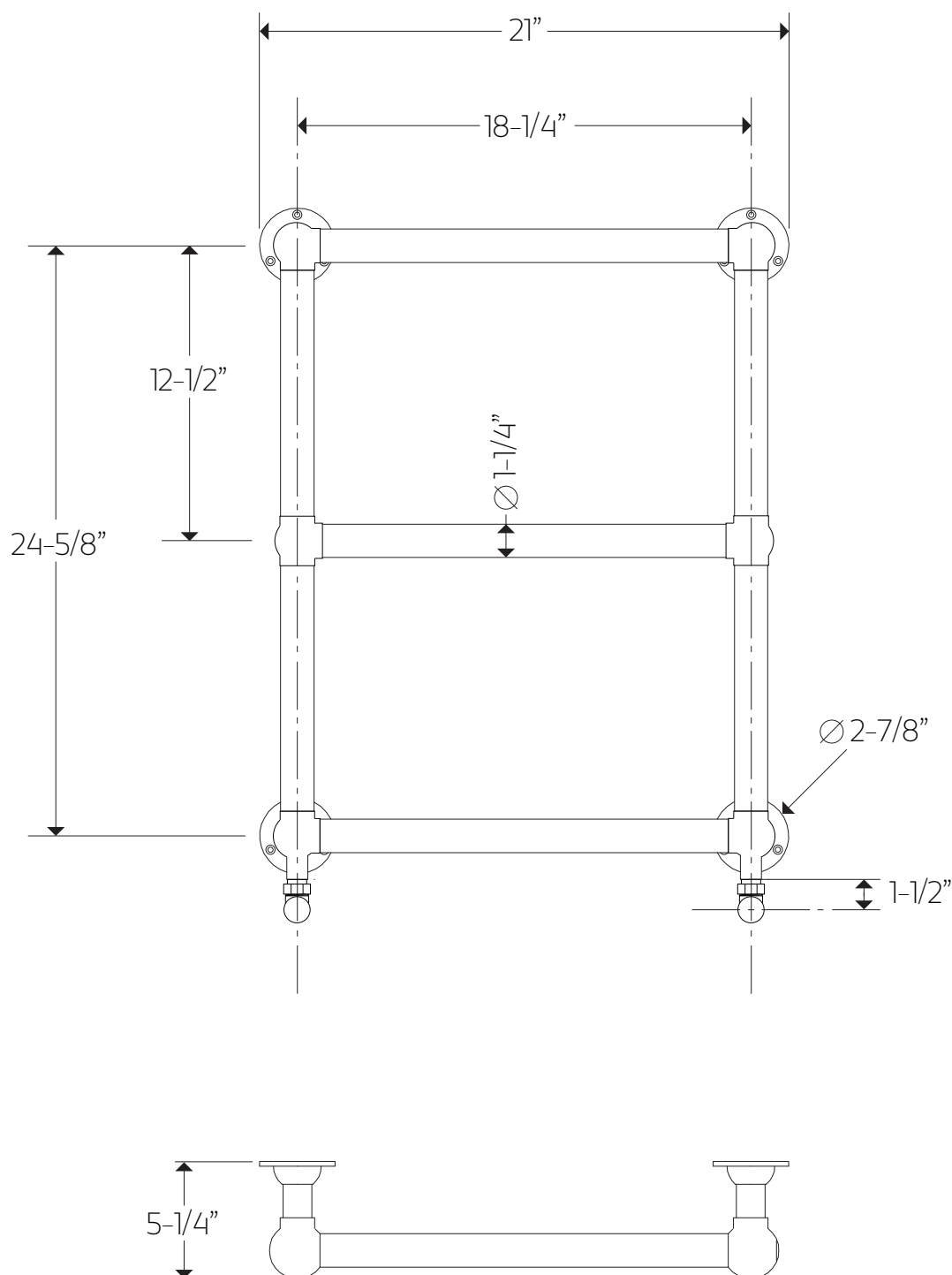




T-ST050H

TECHNICAL DATA SHEET

stour towel warmer,
hydraulic



artos[®]

T-ST050H

stour towel warmer,
hydronic

OPERATING SPECIFICATIONS



FEATURES

Towel warming, drying and auxiliary heating.

HEAT OUTPUT

720 BTU

CODES

UL Approved

CSA-US Approved

REQUIREMENTS

Towel warmers must be used in a closed water system, incorporating a rust inhibitor.