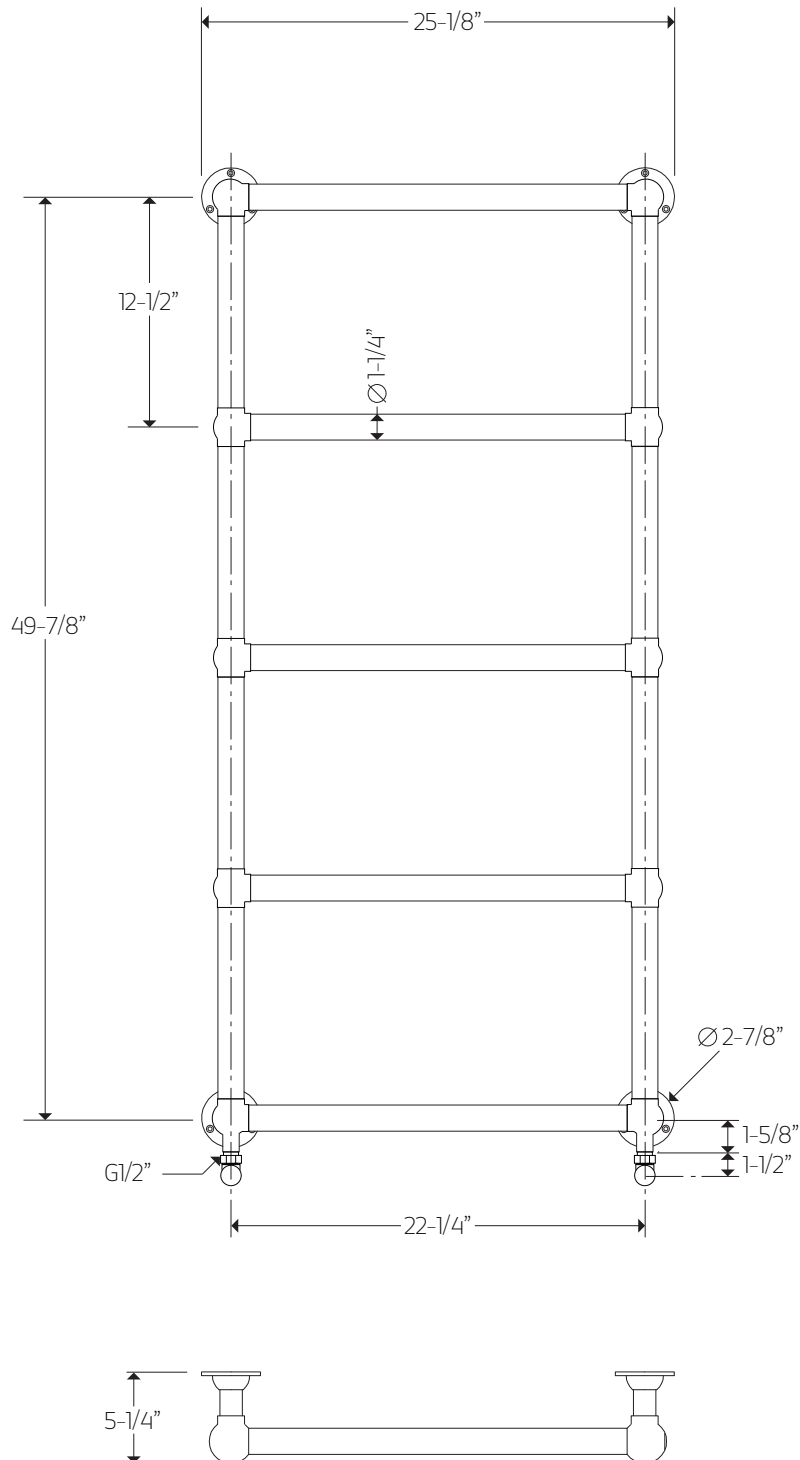




T-ST060120H

TECHNICAL DATA SHEET

stour towel warmer,
hydronic



artos[®]

T-ST060120H

OPERATING SPECIFICATIONS

stour towel warmer,
hydronic



FEATURES

Towel warming, drying and auxiliary heating.

ELEMENT

1630 BTU

1/2" BSPT tapings.

REQUIREMENTS

Towel warmers must be used in a closed water system, incorporating a rust inhibitor.