

# artos<sup>®</sup>

## F907-26/27

## INSTALLATION GUIDE

flexible hose shower kit with  
integrated water outlet squ

BRUSHED NICKEL(BN)



CHROME(CH)



# artos<sup>®</sup>

## F907-26/27

flexible hose shower kit with  
integrated water outlet squ

## OPERATING SPECIFICATIONS



### FEATURES

Separate Water Outlet  
60" Flexible Hose

### OPERATING PRESSURE

Minimum: 15 psi  
Maximum: 75 psi  
Above 90psi it may be necessary to install a pressure reducer

### OPERATING TEMPERATURE

Maximum: 176°

### FLOW CAPACITY

2.0 USGPM

### INLET/OUTLET

1/2" Female NPT

### REQUIREMENTS

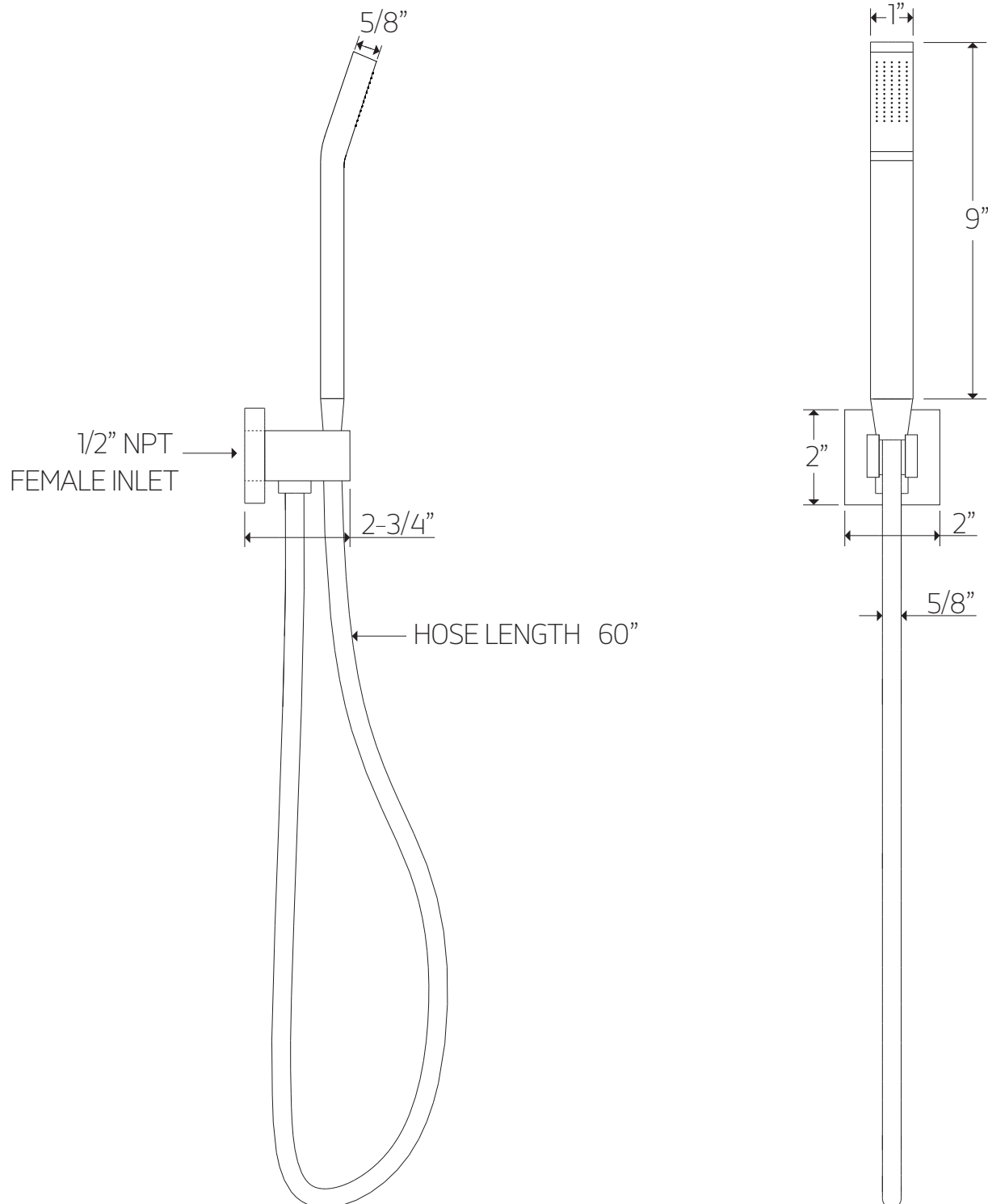
This unit requires a control

# artos<sup>®</sup>

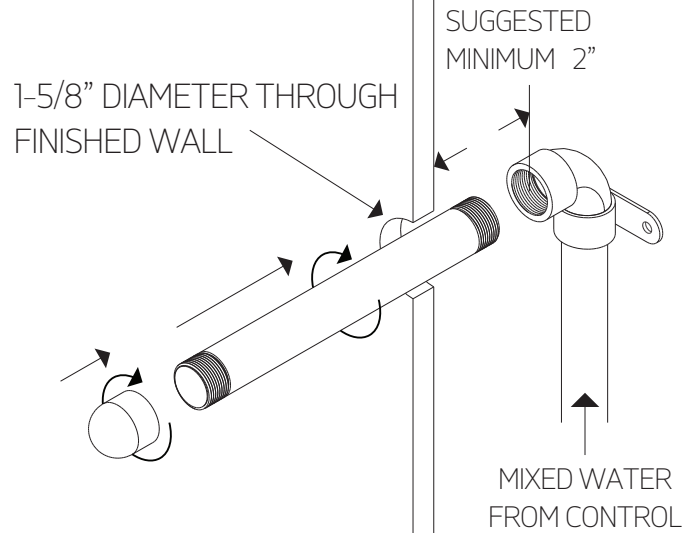
## F907-26/27

### PRODUCT DIMENSIONS

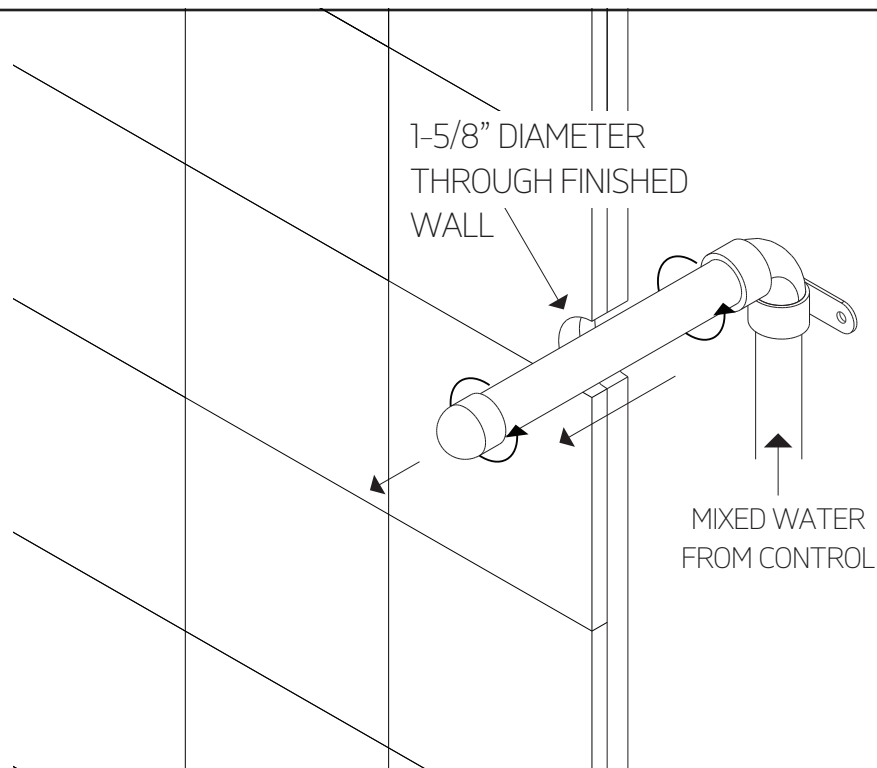
flexible hose shower kit with  
integrated water outlet squ



### STEP 1

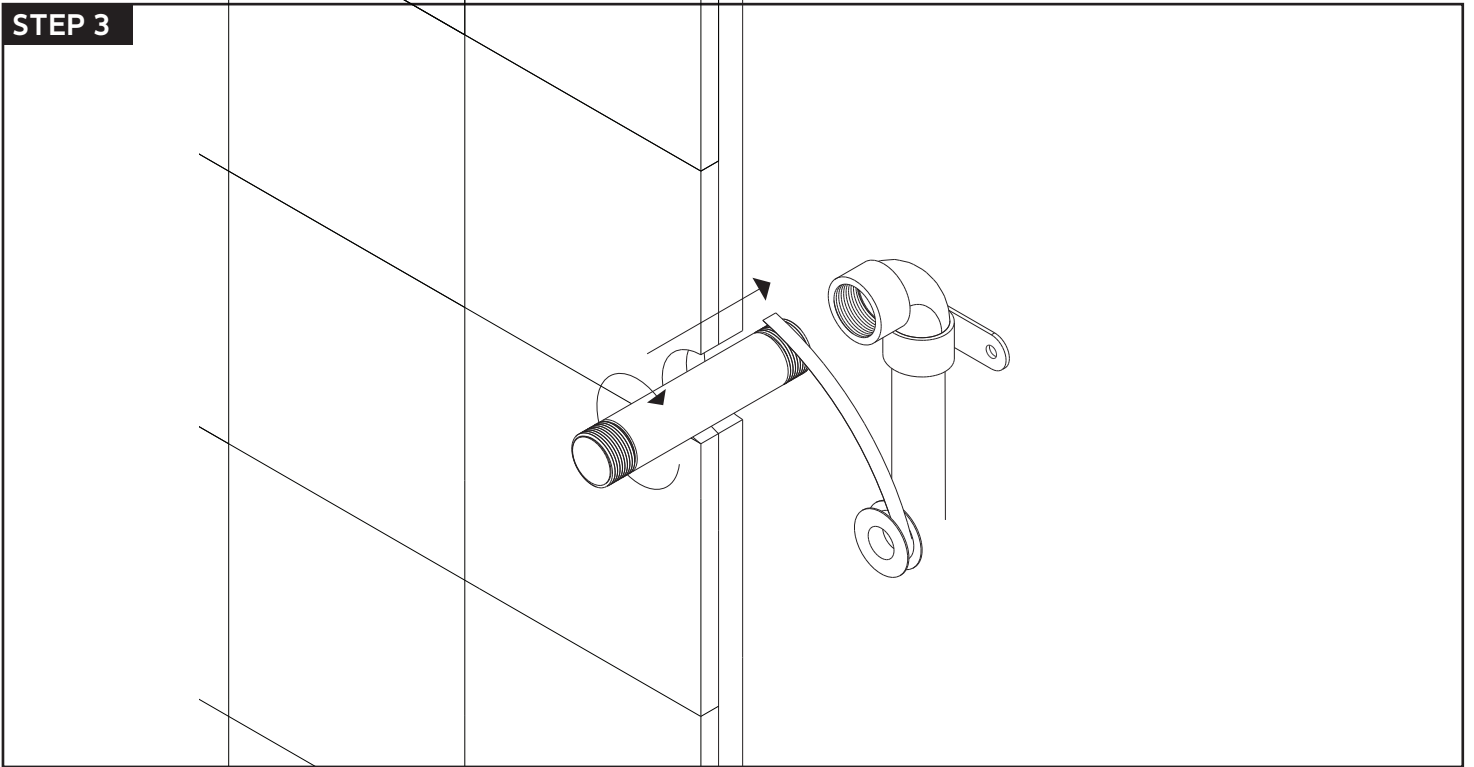


### STEP 2

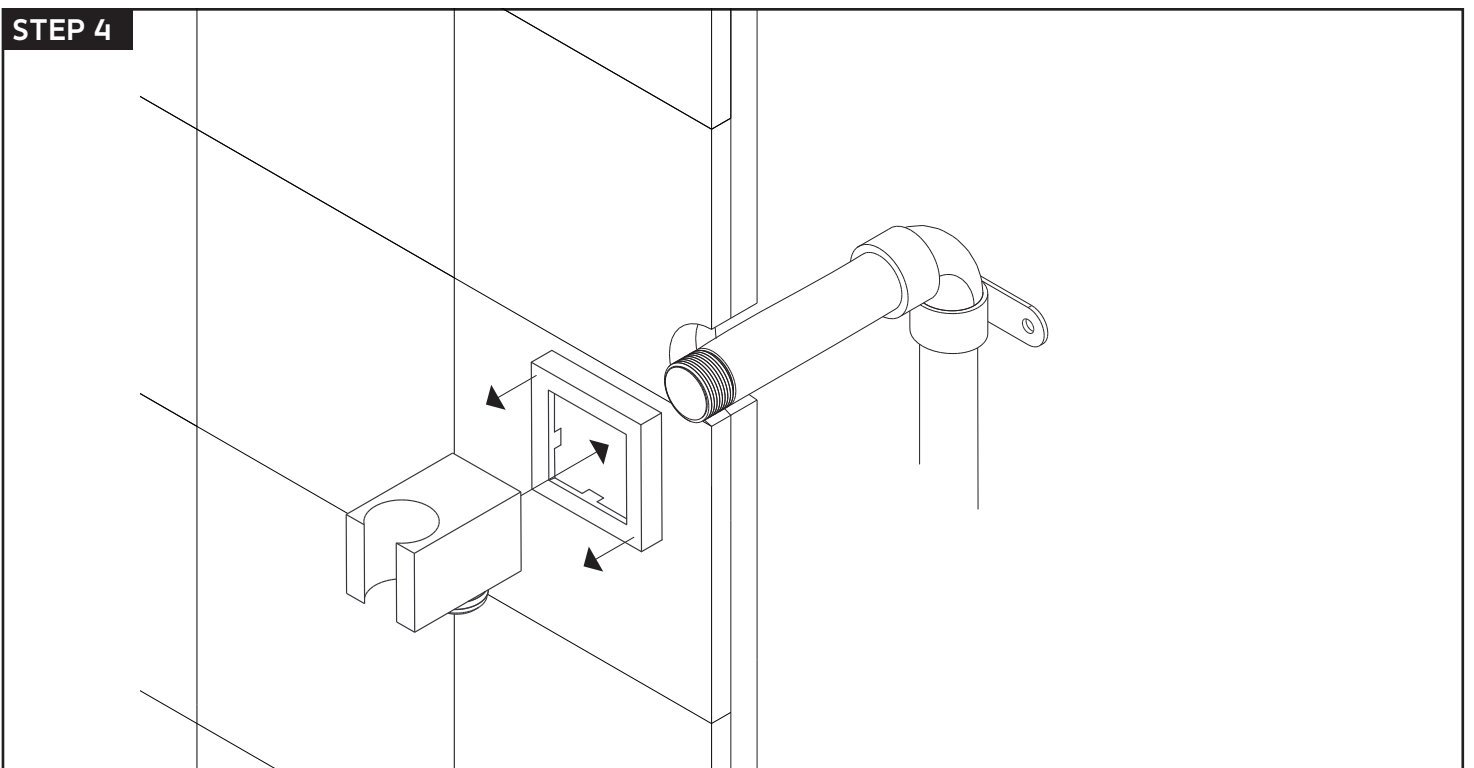


# INSTALLATION STEPS

## STEP 3



## STEP 4

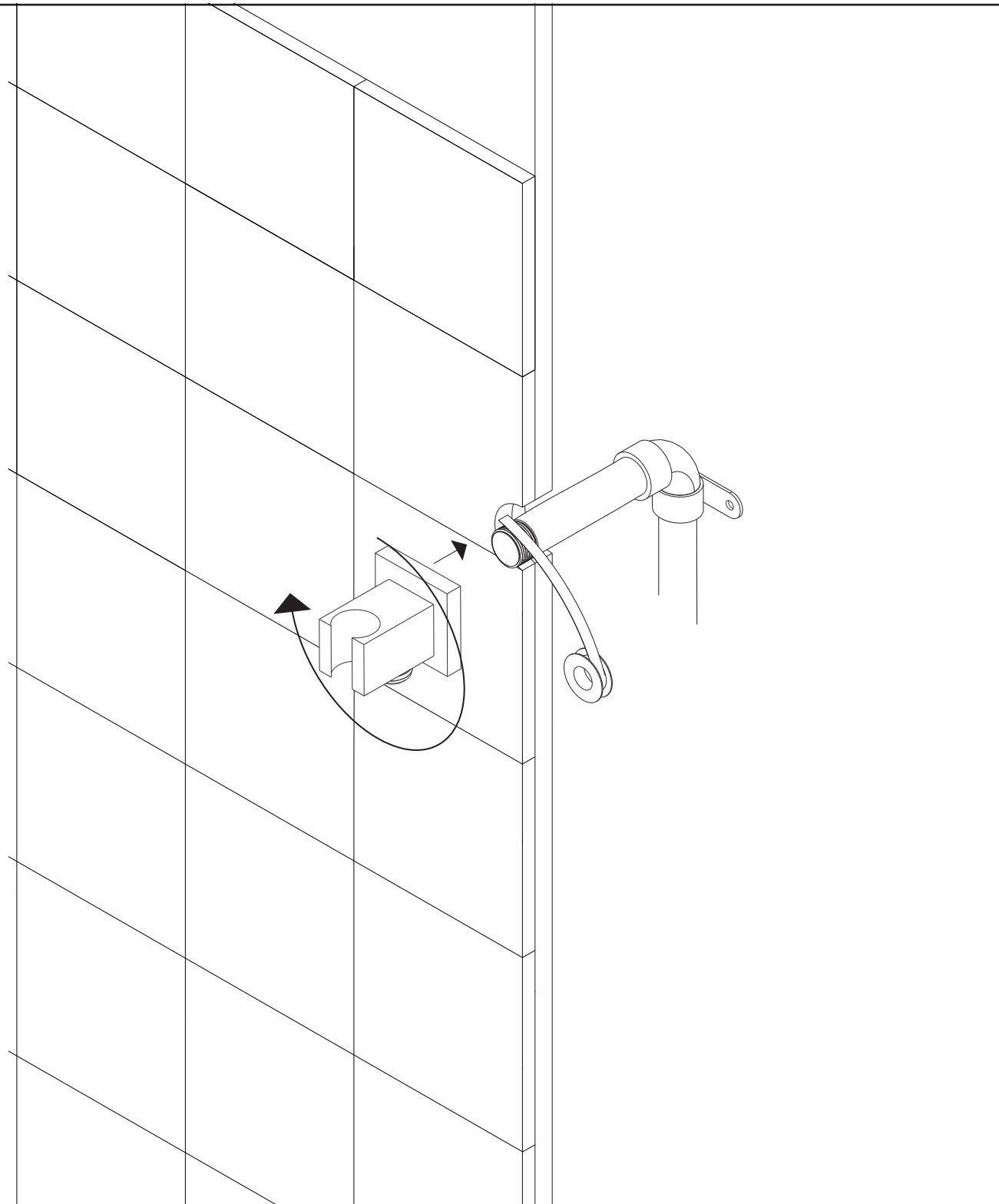


# artos<sup>®</sup>

## F907-26/27

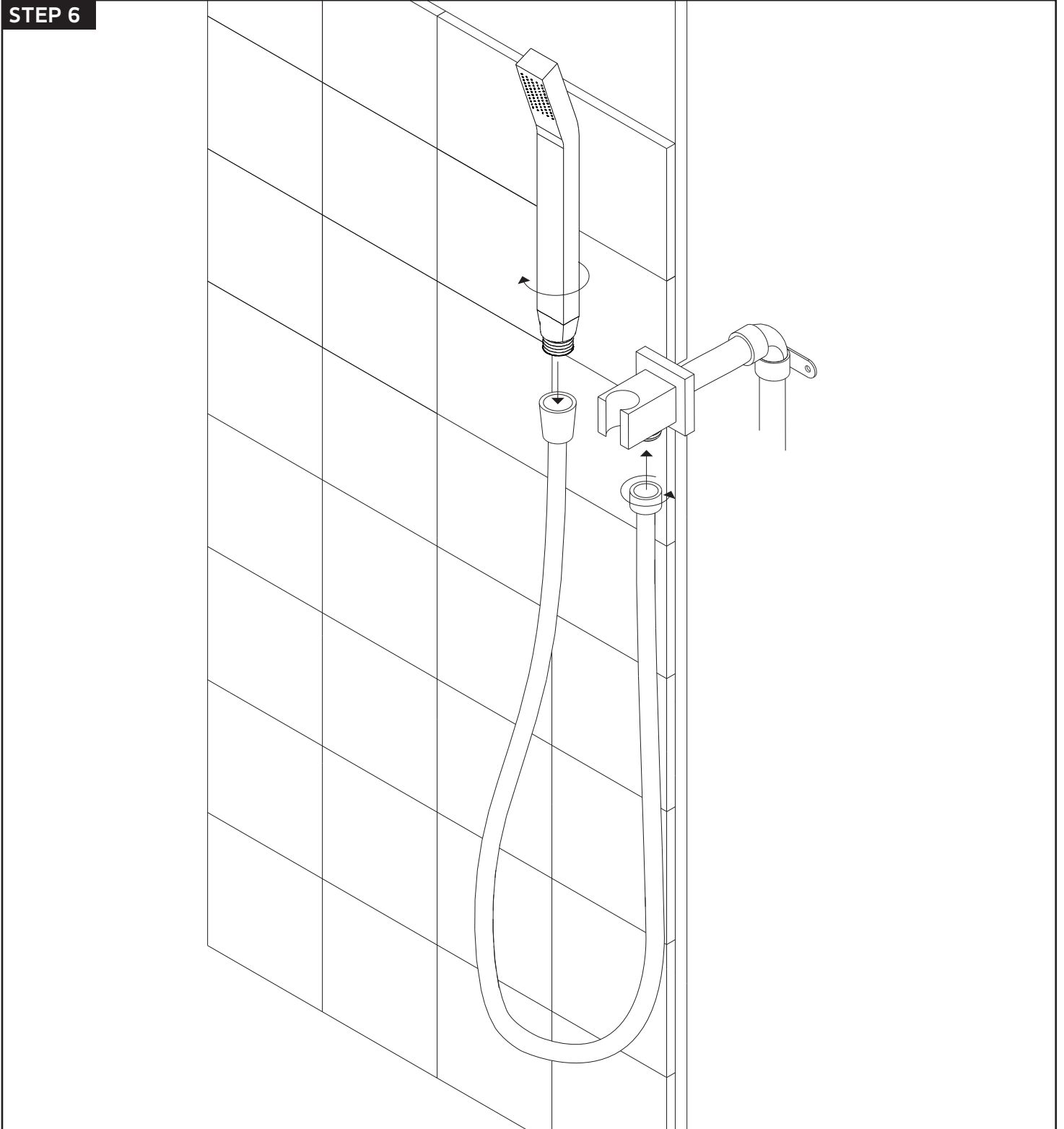
flexible hose shower kit with  
integrated water outlet squ

**STEP 5**



# INSTALLATION STEPS

## STEP 6







# artos®

## F907-26/27

### CARE & MAINTENANCE

flexible hose shower kit with integrated water outlet squ

For best results, keep the following in mind to retain the high quality finish of your artos® shower kit:

- Use a soft, dampened sponge or cloth. On no account should you use an abrasive material such as a brush, scouring pad or steel wool to clean surfaces.
- Test your cleaning agent solution on an inconspicuous area before applying to the entire product.
- Wipe surfaces clean and rinse completely with water immediately after applying cleaning agent.
- An ideal cleaning technique is to rinse faucet thoroughly and blot dry any water from the surface after each use.

### LIMITED LIFETIME WARRANTY

UWR/LPLWHG/LIHWLPH:DUUDW

UWRIDFHWKDHEHHPDIDFWUHGGHUWKHKLKHWT DOLWDGPDIDFWULWDGDUGUWR  
IDFHWDUHDUDWHHGIRUOLIHDDLWOHDNDGPDIDFWULGHIHFIRUDORDWKHRULLDO  
FRPHUSUFKDHURLW7KLDUUDWDSSOLHWRLWDOODWLRWLVKH6DDGDDG0HLFR  
TRUWKPHULFDRPPHUFLO,GWULDORUELHHDUHDUUDWHGIRUDSHULRGRIRHHDUIURP  
WXHRULLDOGDWHRISUFKDH

7KLDUUDWLRWUDIHUDEOHDGSSOLHHFOLHOWRWKXRULLDORHURUHGHU ,IDGHIHFWL  
IRGGULRUPDOHUWRLOODWLWHOHFWRUHSUHLUHSODFHRUPDNHDDSSURSULDWHDGMWPHW  
DPDHFHDGEDFFLGHWPLHDEHLPSURSHULWDOODWLRUDOWHWDWLRLOORLGWKHUUUDW  
7KLDUUDWGRHRWFRHUHSODFHPHWSUWKHUHGDPDHLFDHGERUPDOHDUDGWHDU  
/DERUFKDUHLWDOODWLRURWVKHULFLGHWDORUFRHTHWLDOFRWLOORWEHFRHUHG

5HSODFHPHWSDUWWKDWTDOLIIRUDUUDWUHSUHLUFDEHREWDLHGFRWDFWLWURDW  
5726RUEHPDLODWLIRDUWRFRPURRIRISUFKDHULLDODOHUHFHLSWIURPWKH  
RULLDOFRPHUSUFKDHUPWDFRPSDDOUDWFOFODLP:KHEPLWWLRUFODLP L  
ULWLSOHDHSURLGHRUDPHDGGUHDGWWHOHSKRHPHU

O H D H U H L W H U W K L S W R O G E F I D

Item No : **F 907 -27**  
Serial No :