

artos®

F100137

kitchen faucet

INSTALLATION GUIDE

BRUSHED NICKEL(BN)



CHROME(CH)



BLACK(BK)



artos®

F100137

kitchen faucet

OPERATING SPECIFICATIONS



OPERATING FLOW RATE/PRESSURE

1.8 gpm max (6.8L/min) at 60 psi

OPERATING TEMPERATURE

Maximum: 176°

CARTRIDGE

ceramic disk cartridge

STANDARDS

Certified to CUPC

Certified to AB1953

Certified to NSF/ANSI 61

ADA for lever handle

REQUIREMENTS

Max Surface Thickness: 1-5/8"

APPROVALS



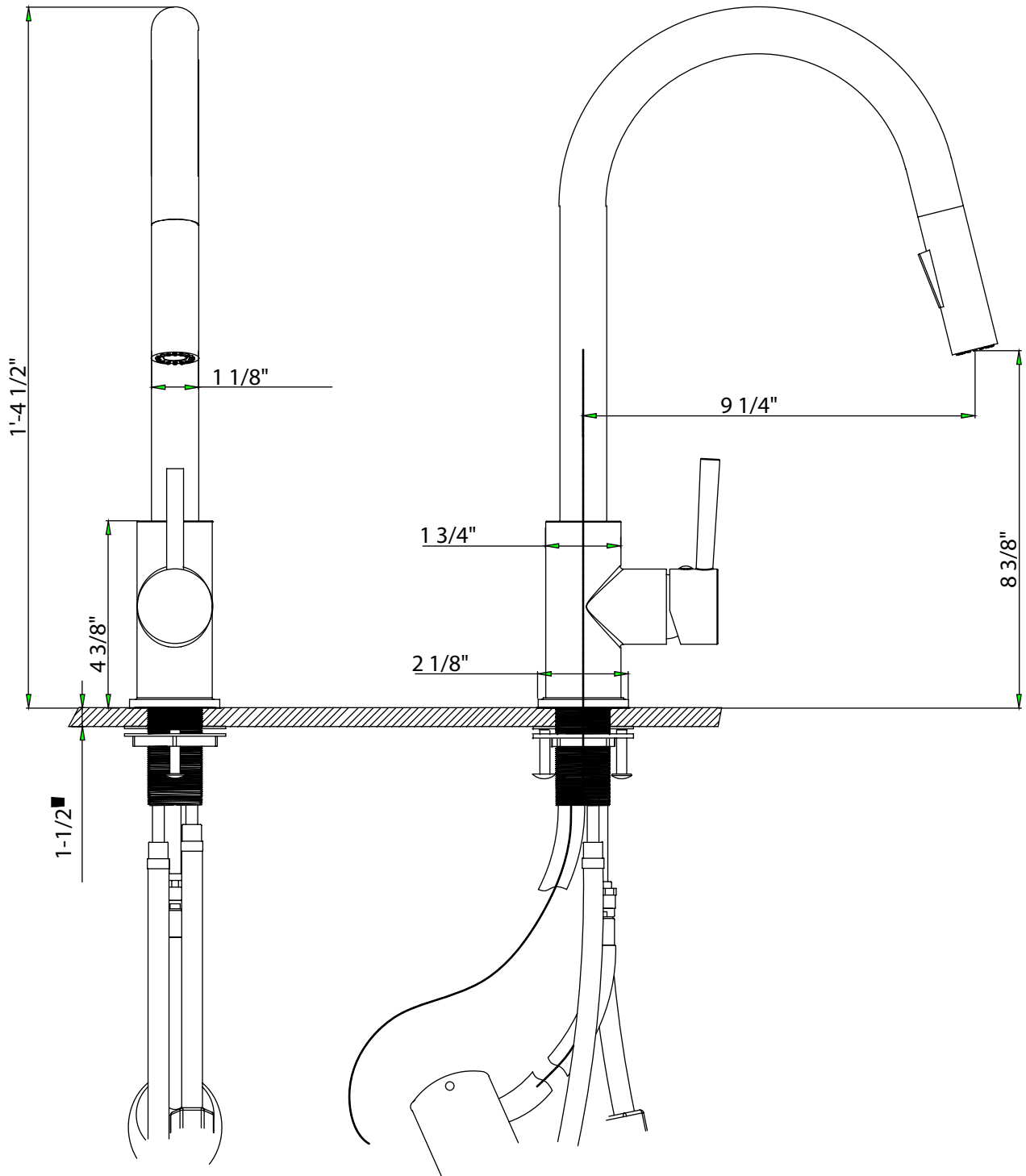
1-1/2"

artos[®]

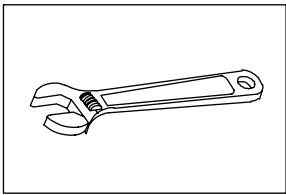
F100137

PRODUCT DIMENSIONS

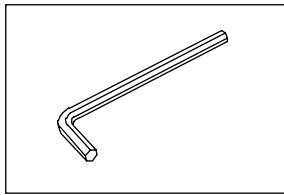
kitchen faucet



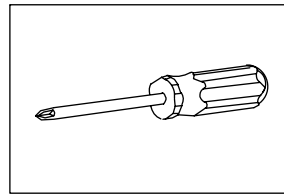
TOOLS FOR INSTALLATION



Adjustable wrench



Hexagon wrench



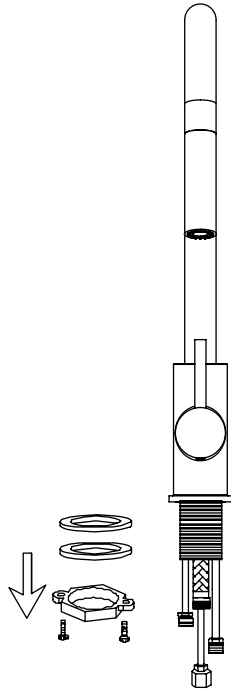
Philips screwdriver

INSTALLATION STEPS

1. Please check that all components are present.
2. Before installation, ensure that all feed lines are clear of debris and on/off valve is present.
3. Ensure water pressure is between 20-125 PSI (includes combination of hot and cold feed lines).
4. Pictures in the manual are general in content and may not represent exactly your purchased faucet. If you are having difficulties please contact a professional plumber.
5. If you will be away from home for an extended period you should shut off the main water supply.

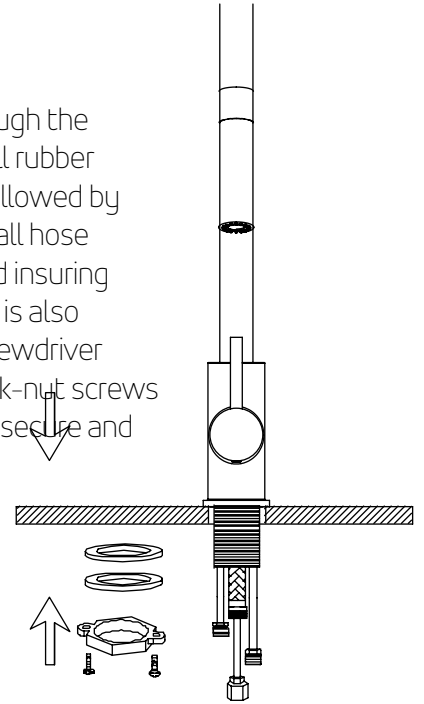
STEP 1

1. Remove locking-nut, metal and rubber washer and hose connector if installed.



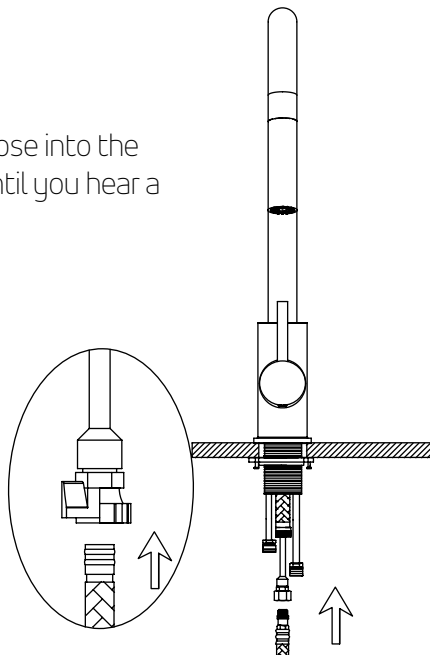
STEP 2

2. Install faucet through the center hole, re-install rubber and metal washer followed by the lock nut. Re-install hose connector if removed insuring small rubber washer is also installed. Using a screwdriver tighten them the lock-nut screws so that the faucet is secure and will not twist.



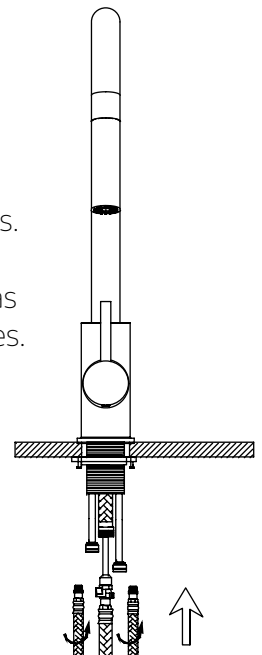
STEP 3

3. Push pull-out hose into the hose connector until you hear a click sound.



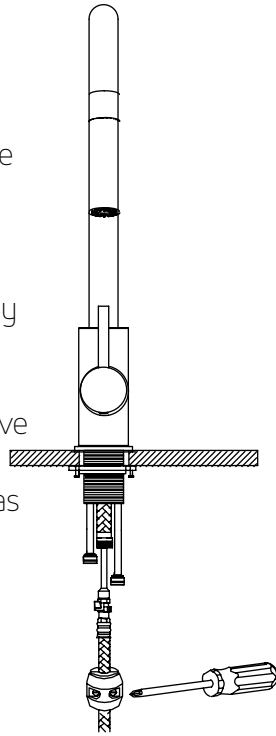
STEP 4

4. Screw and tighten the hot and cold flexible lines to the corresponding faucet connectors. Using a wrench ensure that the copper faucets lines are stable as you tighten the braided feed lines.



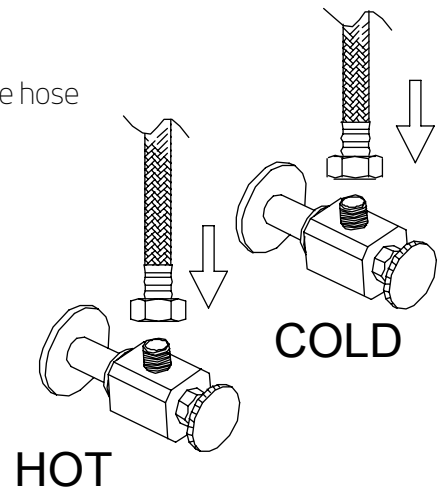
STEP 5

5. Proper installation of the hose weight kit will ensure that they spray head retracts smoothly. On the spray side of the hose, measure 15" down from the body of the faucet. Install the hose weight kit at this point. Pull out on the spray head. It should move easily and retract smoothly. Reposition the hose weight kit as necessary.



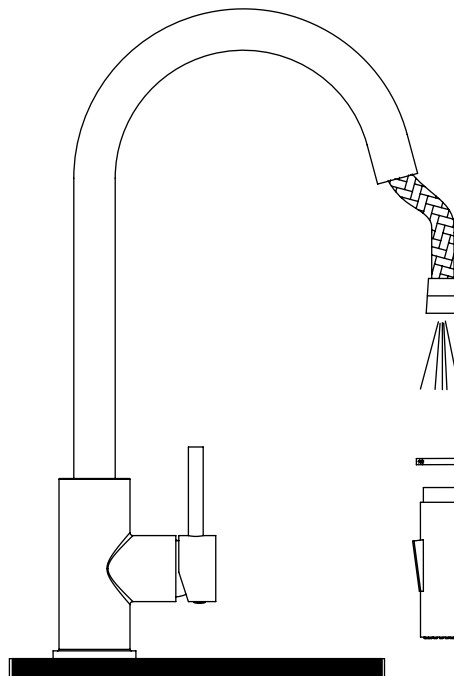
STEP 6

6. Attach flexible hose to water supply.



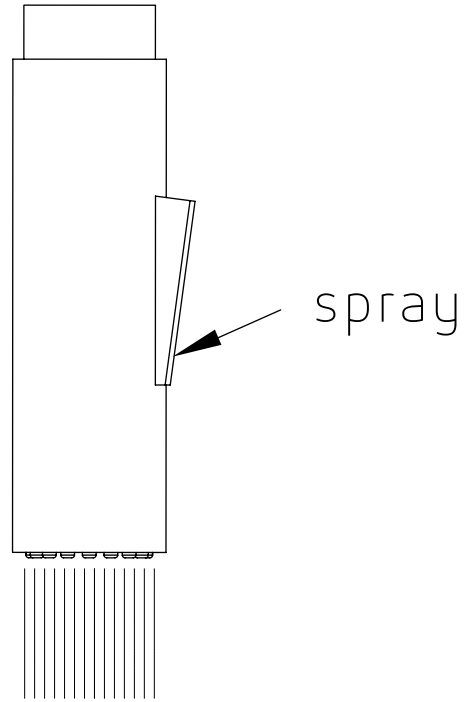
STEP 7

7. Hold onto the spray-head hose, unscrew spray head and remove it along with the rubber washer. Turn on the faucet to flush the hose and feed line for 1-minute to flush debris. Turn off faucet and re-install the rubber washer and spray head.



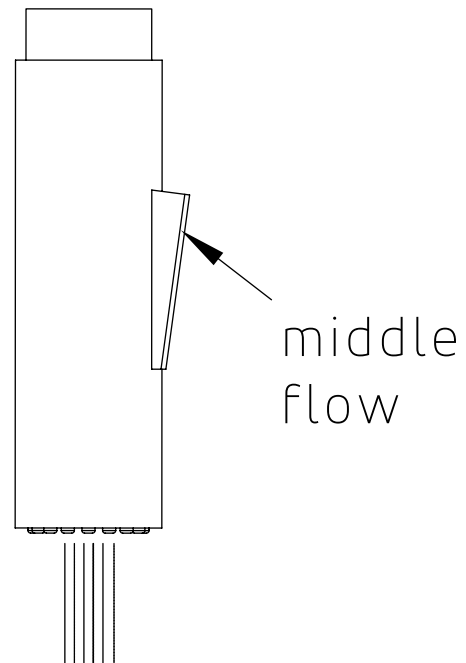
STEP 8

8. Turn the faucet on and press the top of the spray head button to change the spray.



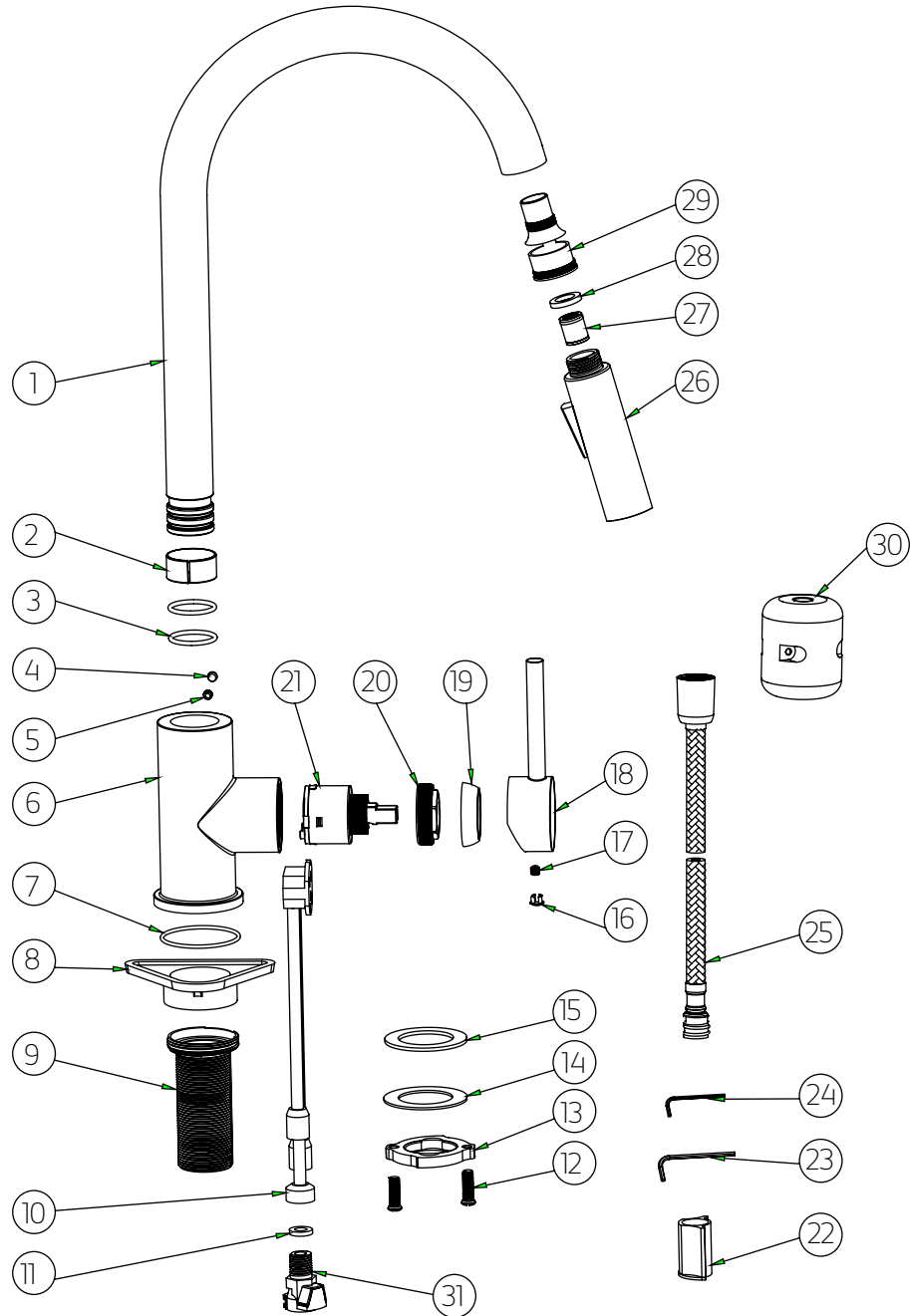
STEP 9

9. Turn the faucet on and press the bottom of the spray head button to change to stream.



kitchen faucet

- ① **TUBE** F100137 XP1
- ② **O-RING** F100137 XP2
- ③ **O-RING** F100137 XP3
- ④ **SILICON NUT** F100137 XP4
- ⑤ **HEX SCREW** F100137 XP5
- ⑥ **BODY** F100137 XP6
- ⑦ **O-RING** F100137 XP7
- ⑧ **PLASTIC HOLDER** F100137 XP8
- ⑨ **SHANK** F100137 XP9
- ⑩ **CARTRIDGE** F100137 XP10
- ⑪ **SEAT O-RING** F100137 XP11
- ⑫ **SCREW** F100137 XP12
- ⑬ **LOCK NUT** F100137 XP13
- ⑭ **SUS WASHER** F100137 XP14
- ⑮ **WASHER** F100137 XP15
- ⑯ **COLOR NUT** F100137 XP16
- ⑰ **HEX SCREW** F100137 XP17
- ⑱ **HANDLE** F100137 XP18
- ⑲ **CAP** F100137 XP19
- ⑳ **CARTRIDGE** F100137 XP20
- ㉑ **NUT CARTRIDGE** F100137 XP21
- ㉒ **PROTECTIVE TUBE** F100137 XP22
- ㉓ **ALLEN KEY** F100137 XP23
- ㉔ **ALLEN KEY** F100137 XP24
- ㉕ **PULL OUT** F100137 XP25
- ㉖ **HOSE SPRAY** F100137 XP26
- ㉗ **CHECK** F100137 XP27
- ㉘ **VALVE O-RING** F100137 XP28
- ㉙ **BUSH** F100137 XP29
- ㉚ **WEIGHT** F100137 XP30
- ㉛ **QUICK KIT CONNECTOR** F100137 XP31



artos[®]

F100137

kitchen faucet

CARE & MAINTENANCE

For best results, keep the following in mind to retain the high quality finish of your artos[®] faucets:

- Use a soft, dampened sponge or cloth. On no account should you use an abrasive material such as a brush, scouring pad or steel wool to clean surfaces.
- Test your cleaning agent solution on an inconspicuous area before applying to the entire faucet.
- Wipe surfaces clean and rinse completely with water immediately after applying cleaning agent.
- An ideal cleaning technique is to rinse faucet thoroughly and blot dry any water from the surface after each use.

LIMITED LIFETIME WARRANTY

artos[®] faucets are guaranteed for life against leaks and finishing defects for as long as the original purchaser owns it.

Damage caused by accident, misuse, abuse, improper installation, improper cleaning or alteration will void the warranty. This warranty does not cover replacement parts where damage is caused by normal wear and tear. Westover, Inc is not responsible for labor charges, installation or other incidental or consequential costs. Proof of purchase must be provided with all claims.

Please register this product online at WWW.ARTOS.US.COM

ITEM NO. **F100137**

SERIAL NO.