

# artos<sup>®</sup>

## F907-50

## INSTALLATION GUIDE

10" shower rainhead wall  
mount arm

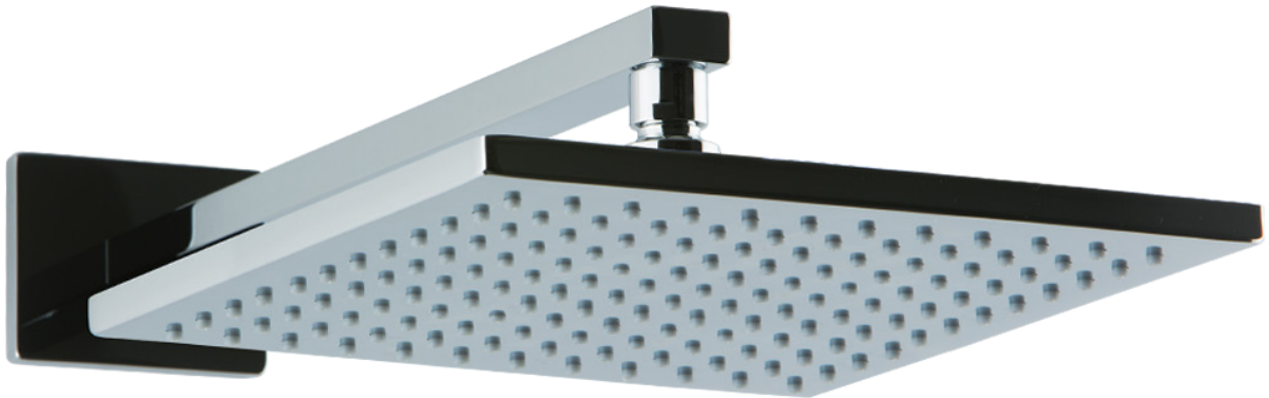
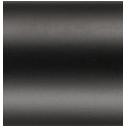
BRUSHED NICKEL(BN)



CHROME(CH)



BLACK(BK)



# artos<sup>®</sup>

## F907-50

## OPERATING SPECIFICATIONS

10" shower rainhead wall  
mount arm



### FEATURES

Solid Brass

### OPERATING PRESSURE

Minimum: 15 psi

Maximum: 75 psi

Above 90psi it may be necessary to install a pressure reducer

### OPERATING TEMPERATURE

Maximum: 176°

### INLET/OUTLET

1/2" Male NPT

### FLOW RATE

1.8 USGPM

### APPROVALS

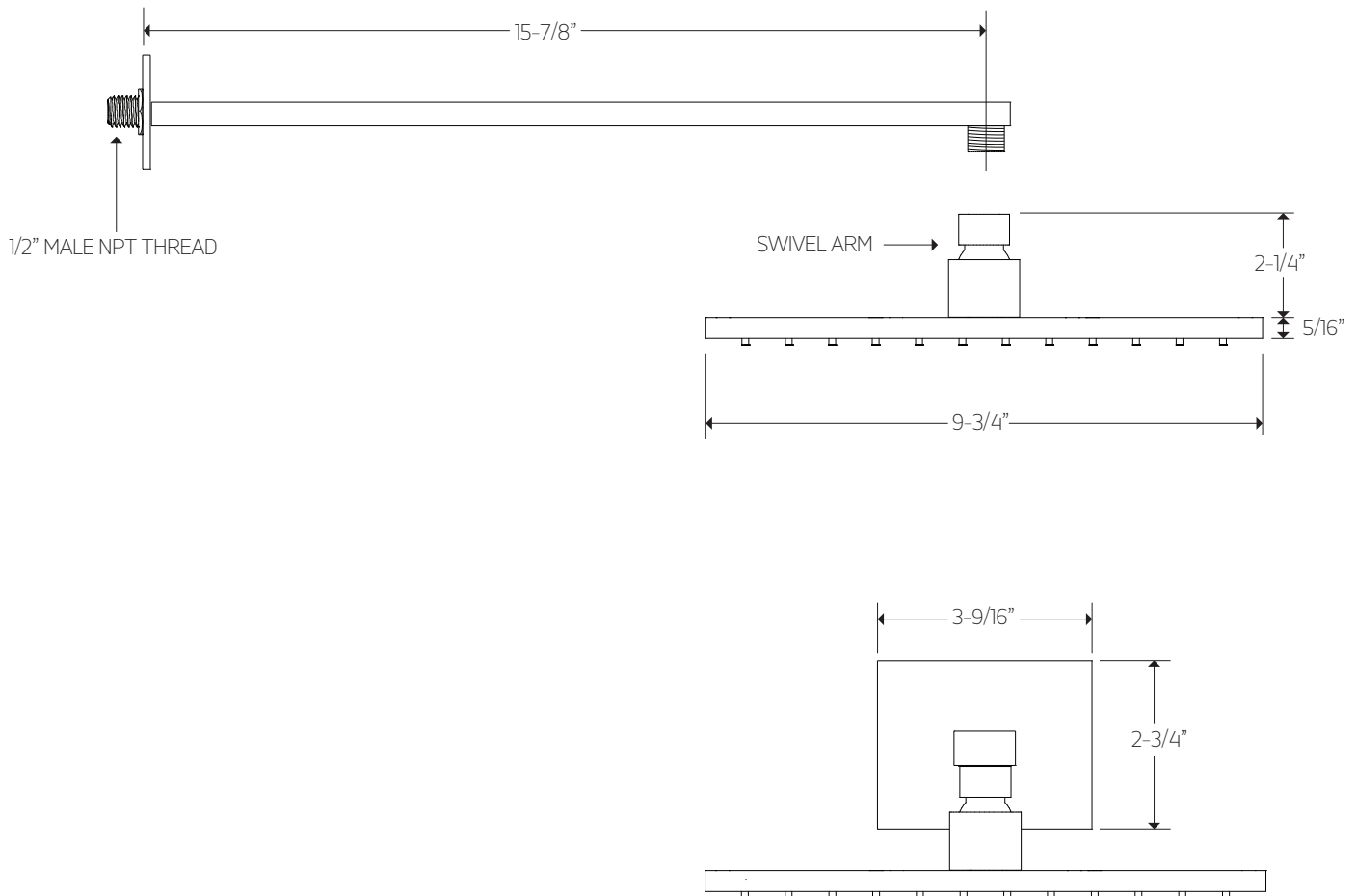


# artos<sup>®</sup>

## F907-50

## PRODUCT DIMENSIONS

10" shower rainhead wall  
mount arm



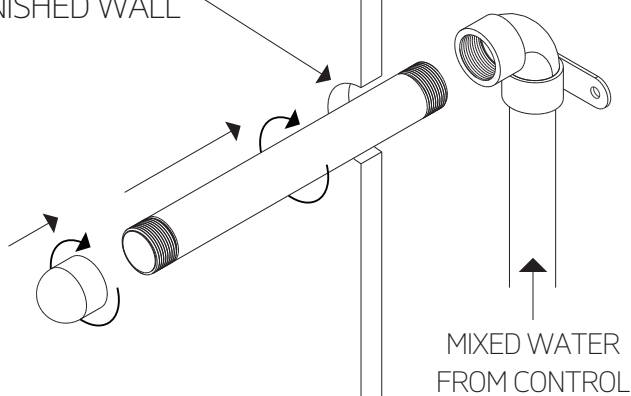
## F907-50

10" shower rainhead wall  
mount arm

### STEP 1

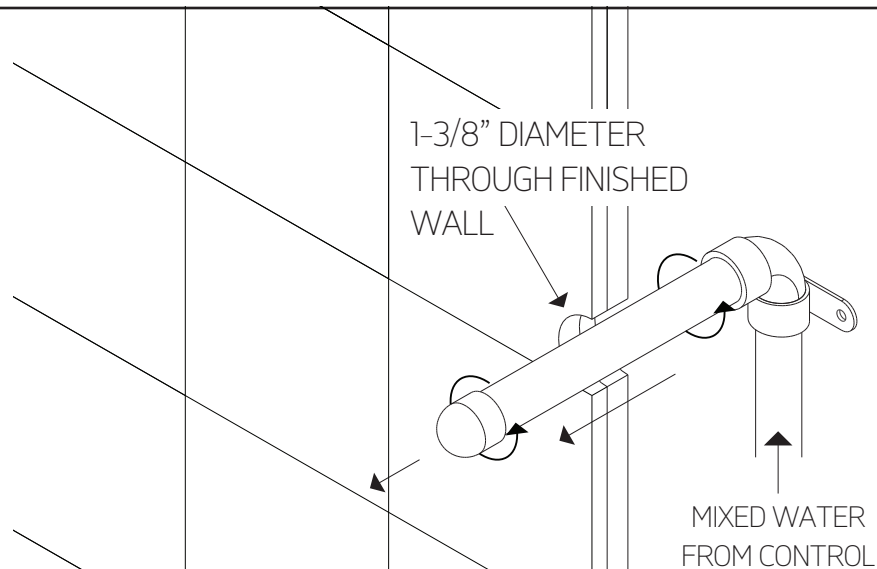
\*ALL DIMENSIONS ARE APPROXIMATE

1-3/8" DIAMETER THROUGH  
FINISHED WALL



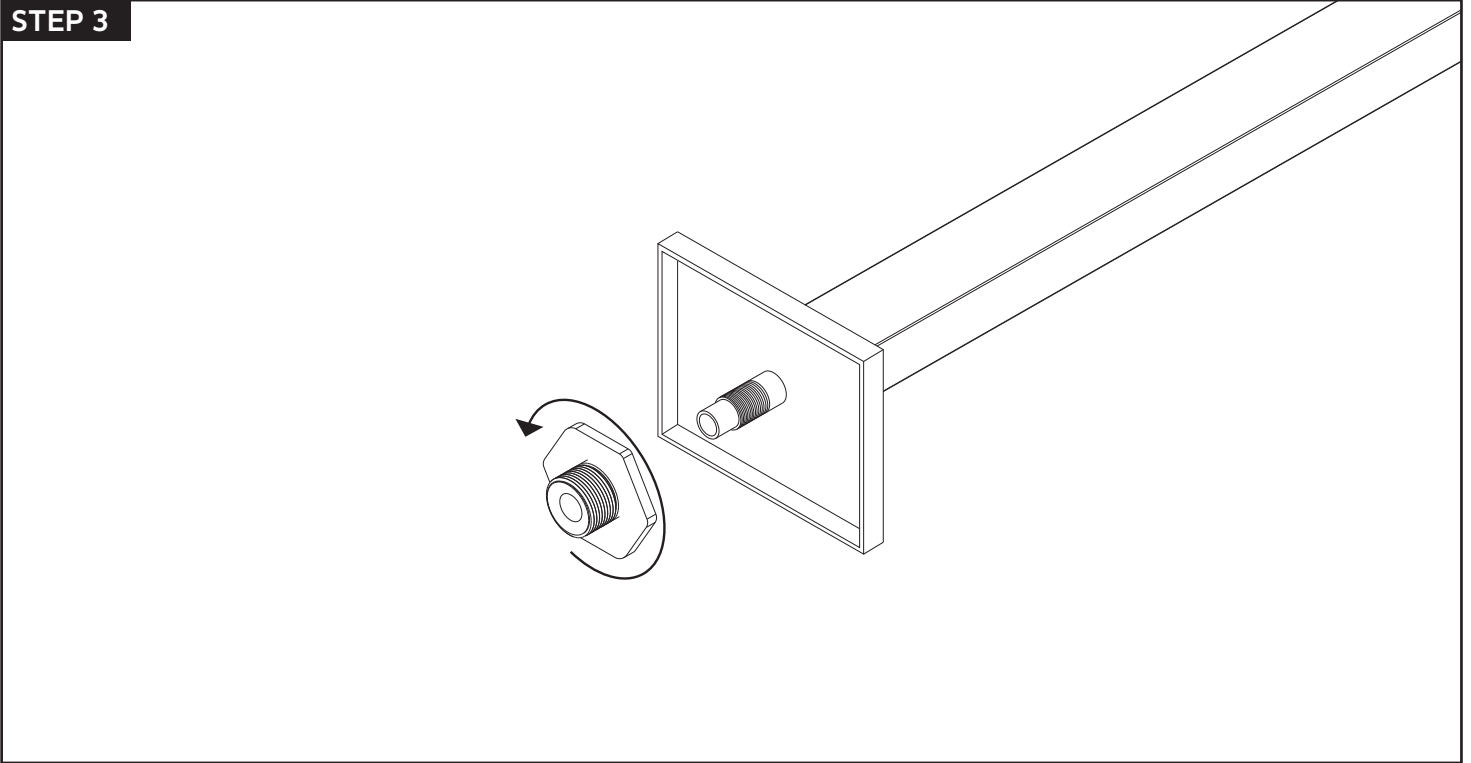
### STEP 2

1-3/8" DIAMETER  
THROUGH FINISHED  
WALL

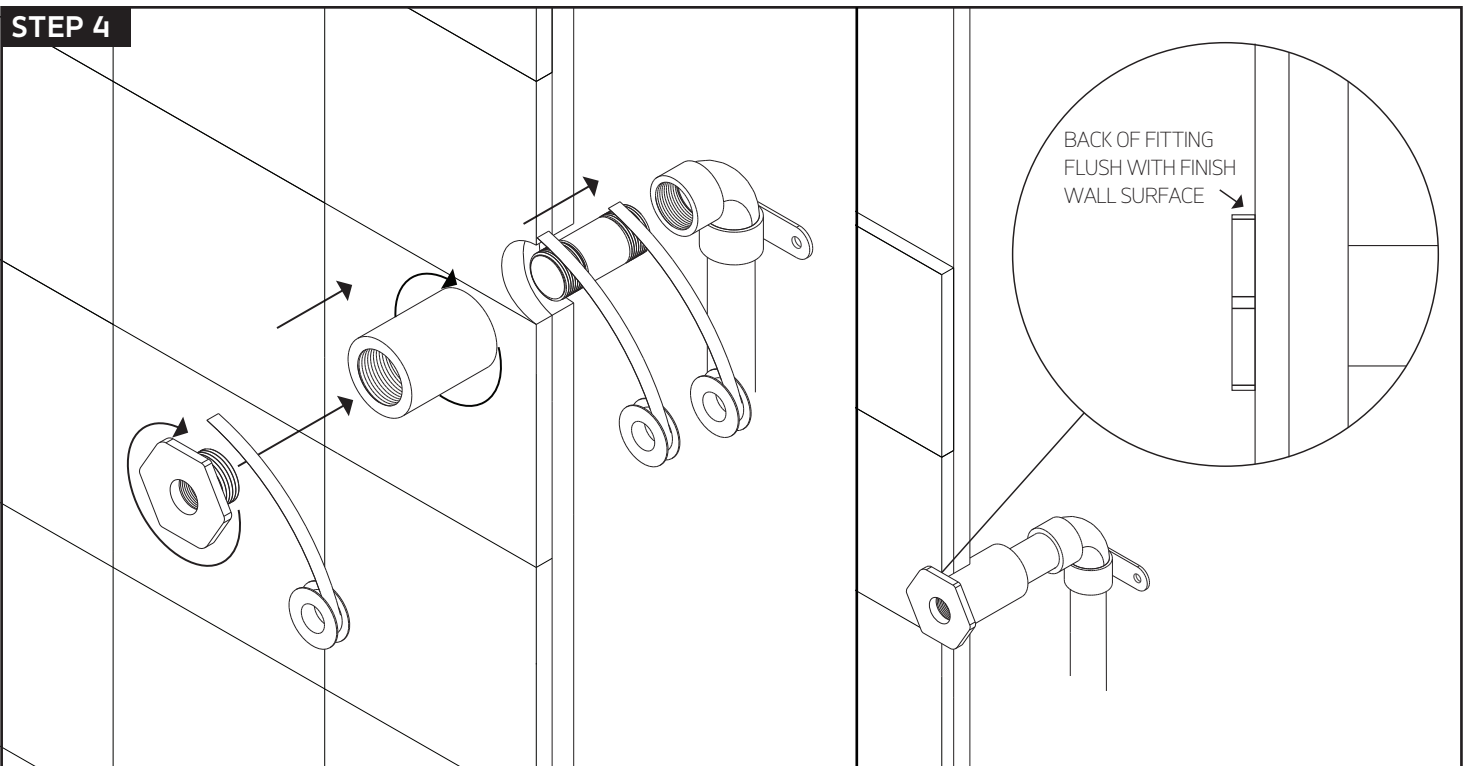


# INSTALLATION STEPS

## STEP 3

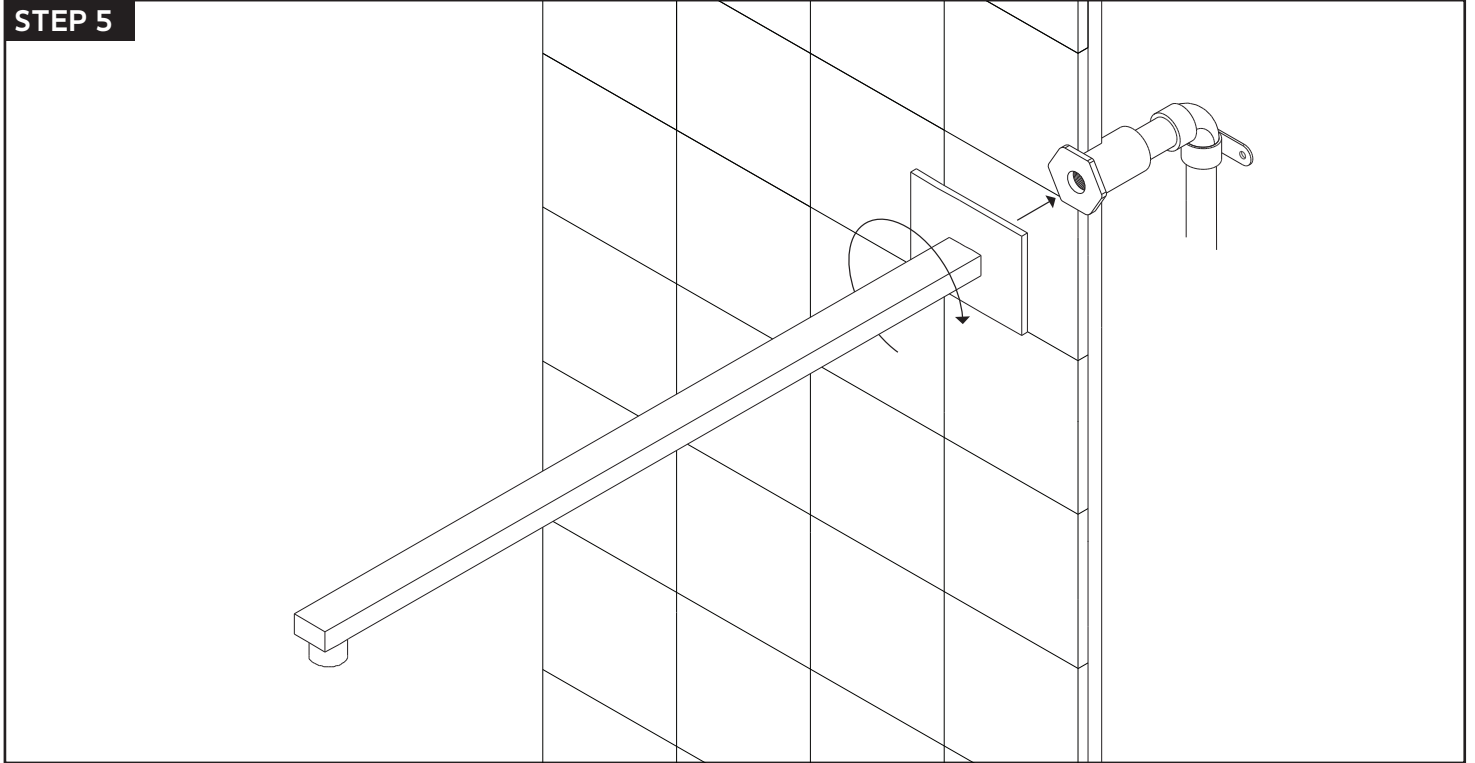


## STEP 4

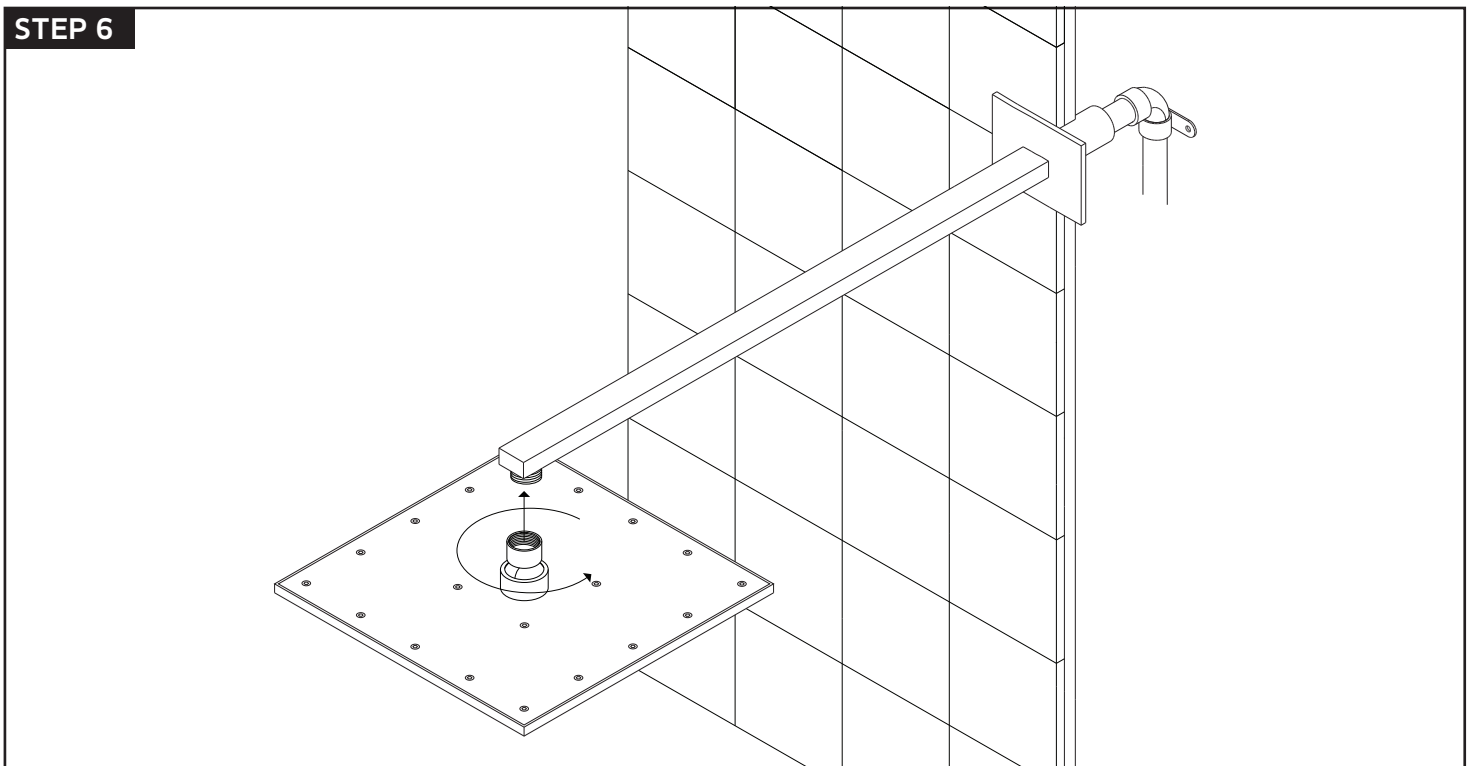


10" shower rainhead wall  
mount arm

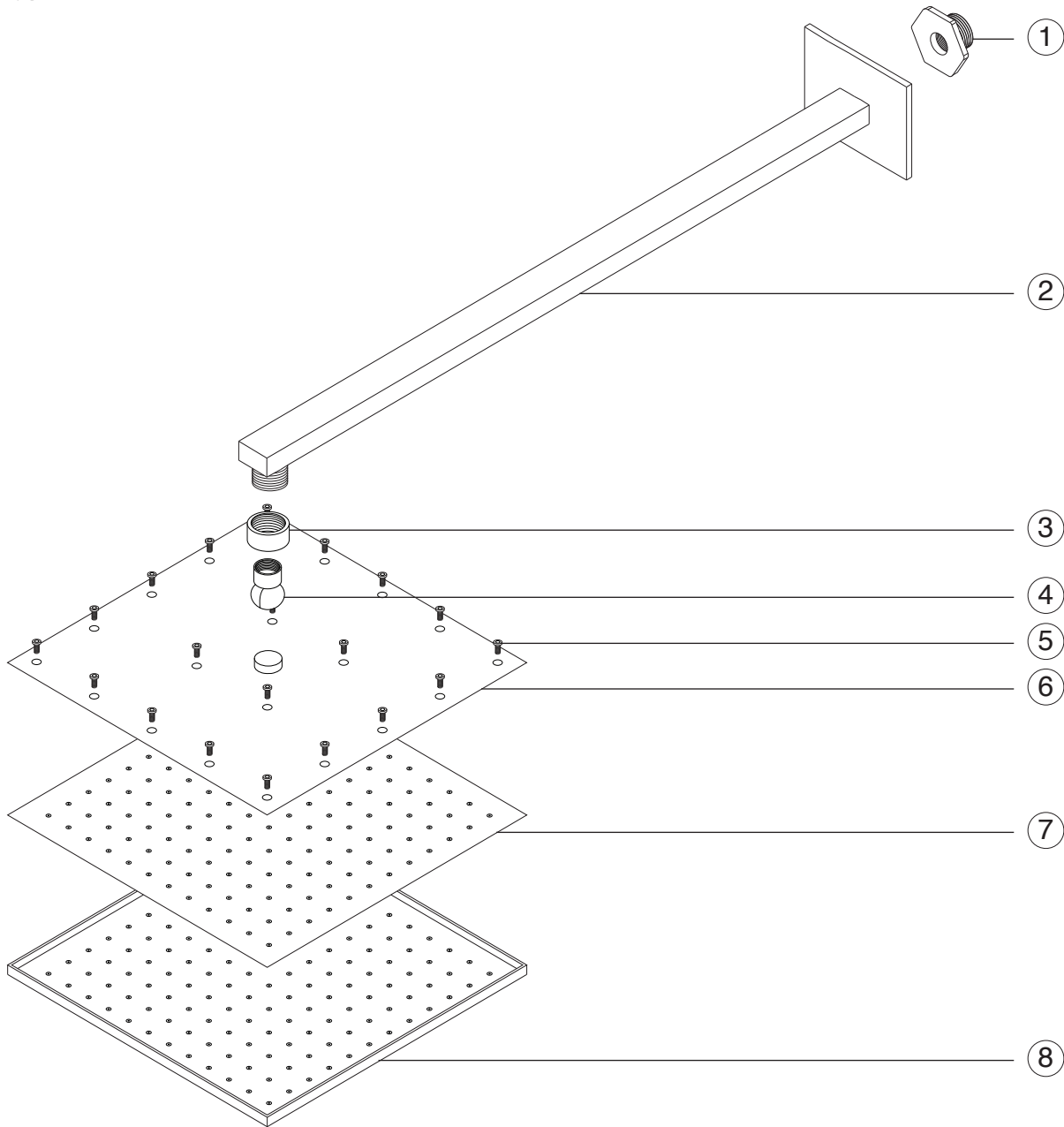
### STEP 5



### STEP 6



10" shower rainhead wall  
mount arm



- |  |   |
|--|---|
| ① <b>SHOWER FITTING</b> F907-50 XP1          | ⑦ <b>RUBBER MATRIX</b> F907-50 XP7      |
| ② <b>SHOWER ARM</b> F907-50 XP2              | ⑧ <b>SHOWER HEAD BOTTOM</b> F907-50 XP8 |
| ③ <b>SWIVEL ARM SECURING NUT</b> F907-50 XP3 |   |
| ④ <b>SWIVEL ARM</b> F907-50 XP4              |   |
| ⑤ <b>SHOWER HEAD SCREWS</b> F907-50 XP5      |   |
| ⑥ <b>SHOWER HEAD TOP</b> F907-50 XP6         |   |

10" shower rainhead wall  
mount arm

For best results, keep the following in mind to retain the high quality finish of your artos® shower kit:

- Use a soft, dampened sponge or cloth. On no account should you use an abrasive material such as a brush, scouring pad or steel wool to clean surfaces.
- Test your cleaning agent solution on an inconspicuous area before applying to the entire product.
- Wipe surfaces clean and rinse completely with water immediately after applying cleaning agent.
- An ideal cleaning technique is to rinse faucet thoroughly and blot dry any water from the surface after each use.

### LIMITED LIFETIME WARRANTY

UWR/LPLWHG/LIHWLPH:DUUDW

UWRIDXFHWKDEHHPDXIDFWXUHGXGHUWKHKLKHWTXDOLWDGPDXIDFWXULWDGDUGUWR  
IDXFHWDUHXDUDWHHGIRUOLIHDDLWOHDNDGPDXIDFWXULGHIHFWIRUDORDWKHRULLDO  
FRXPHUSXUFKDHURLW7KLDUUDWDSSOLHWRLWDOODWLRWLKH86DDGDDGOHLFR  
TRUWKPHULFDRPPHUFLLDO,GXWULDORUEXLHXHDUHDUUDWHGIRUDSHULRGRIRHHDIURP  
WKHRULLDOGDWHRISXUFKDH

7KLDUUDWLRWUDIHUDEOHDGSSOLHHFOXLHOWRWKHRULLDORHURUHGXHU ,IDGHIHFWL  
IRXGGXULRUPDOXHUWRLOODWLWHOFWLRUHSDLUUHSODFHRUPDNHDDSSURSULDWHDGMXWPHW  
DPDHFDXHGEDFFLGHWPLXHDEXHLPURSUSHULWDOODWLRRUUDOWHWDWLRLOORLWGWKHUUDW  
7KLDUUDWGRHRWFRHUUHSODFHPHWSDUWKHUHGDPDHLFDXHGGERUPDOHDUDGWHDU  
/DERUFKDUHLWDOODWLRURRWKHULFLGHWDORUFRHTXHWLDOFRWLLOORWEHFRHUHG

5HSODFHPHWSDUWWKDWTXDOLIIRUDUUDWUHSDLUFDEHREWDLHGFEFRWDFWLUWRDW  
5726RUEHPDL0DWLIRDUWRXFRP3URRIRISXUFKDHURULLDODOHUHFHLSWIURPWKH  
RULLDOFRXPHUSXUFKDHUPXWDFFRPSDDOODUUDWFODLP:KHXEPLWWLRXUFODLP L  
ULWLSOHDHSURLGHRXUDPHDGGUHDGWHOHOSKRHXPEHU

3 0 H D H U H L W H U W K L W R U G X F W : : : 5 7 2 6 8 6 2 0

, W H P I R )  
6 H U L D O I R