

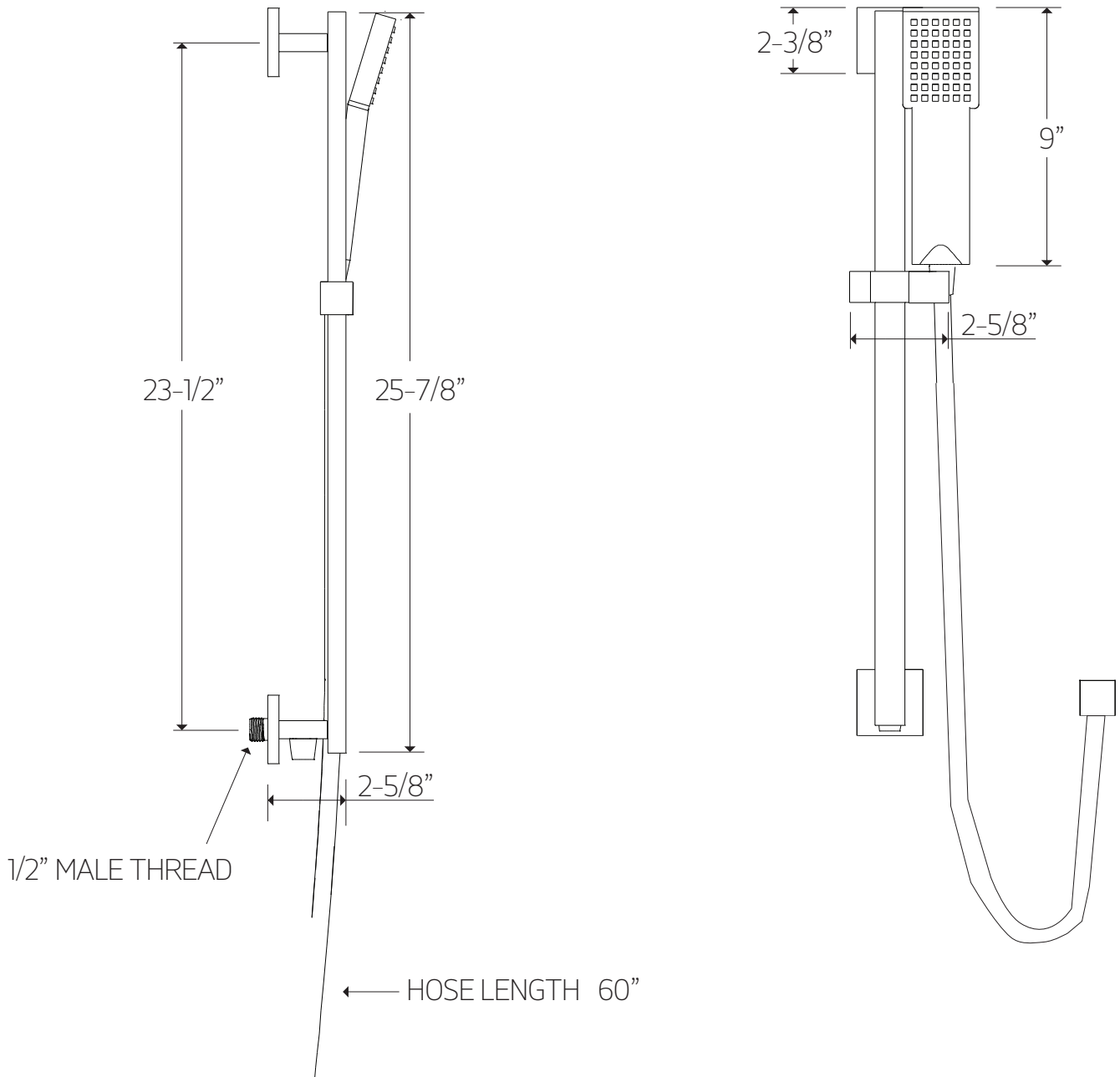
# artos<sup>®</sup>



F907-47

## TECHNICAL DATA SHEET

flexible hose shower kit with  
slide bar and separate water  
outlet squ



# artos

F907-47

## OPERATING SPECIFICATIONS

flexible hose shower kit with  
slide bar and separate water  
outlet squ



### FEATURES

Separate Water Outlet  
60" Flexible Hose  
Slide Bar

### OPERATING PRESSURE

Minimum: 15 psi  
Maximum: 75 psi  
Above 90psi it may be necessary to install a pressure  
reducer

### OPERATING TEMPERATURE

Maximum: 176°

### FLOW CAPACITY

2.0 USGPM

### INLET/OUTLET

1/2" Male NPT

### REQUIREMENTS

This unit requires a control