

artos[®]

F402-7

INSTALLATION GUIDE

deck mount handshower and
control squ

BRUSHED NICKEL(BN)



CHROME(CH)



artos[®]

F402-7

OPERATING SPECIFICATIONS

deck mount handshower and
control squ



FEATURES

Hand Shower with Separate Control

OPERATING PRESSURE

Minimum: 15 psi

Maximum: 75 psi

Above 90psi it may be necessary to install a pressure reducer

OPERATING TEMPERATURE

Maximum: 176°

FLOW RATE

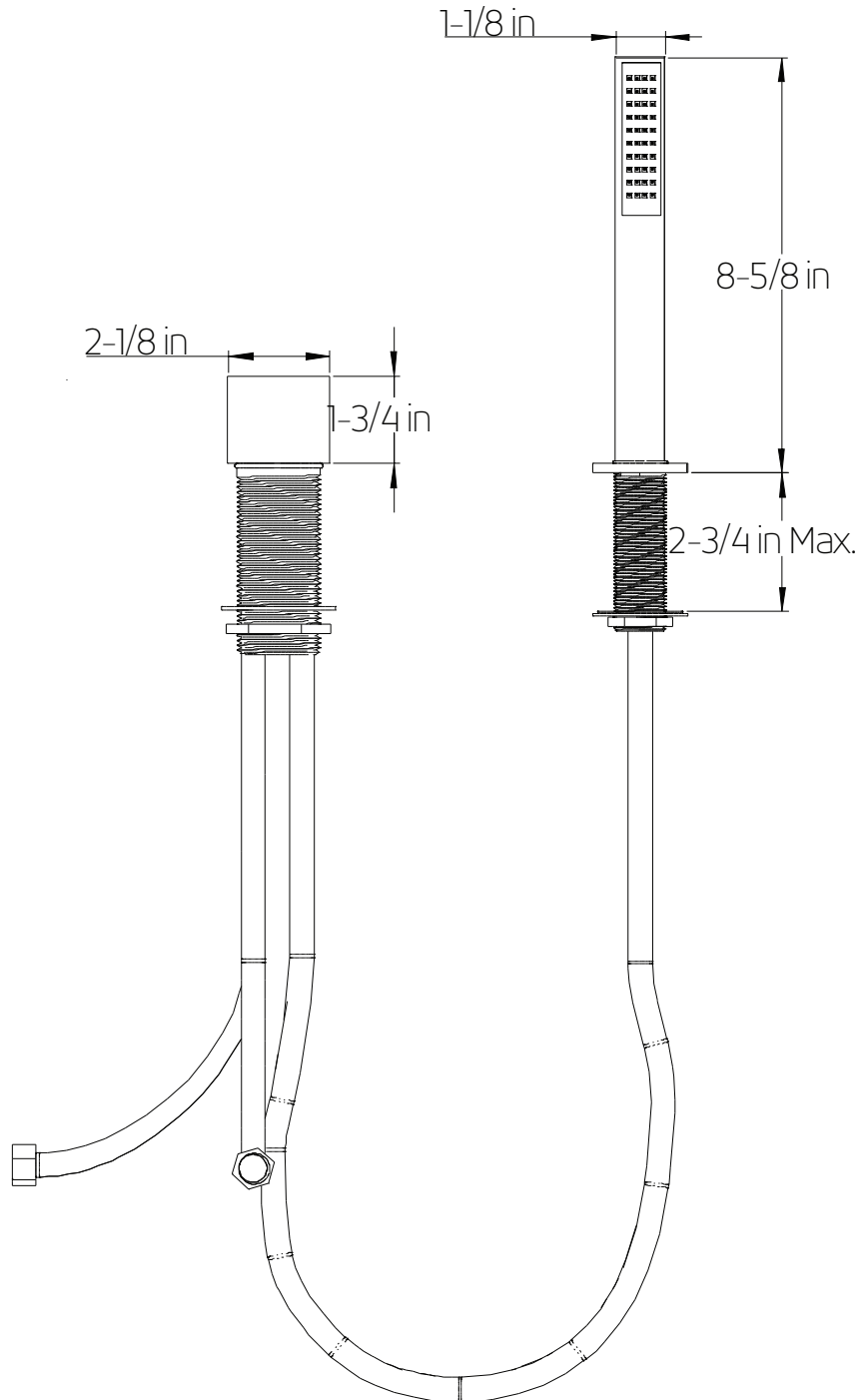
Hand shower: 2.0 GPM, Neoperl CV15 back-flow preventer integrated in hand shower

artos[®]

F402-7

PRODUCT DIMENSIONS

deck mount handshower and
control squ

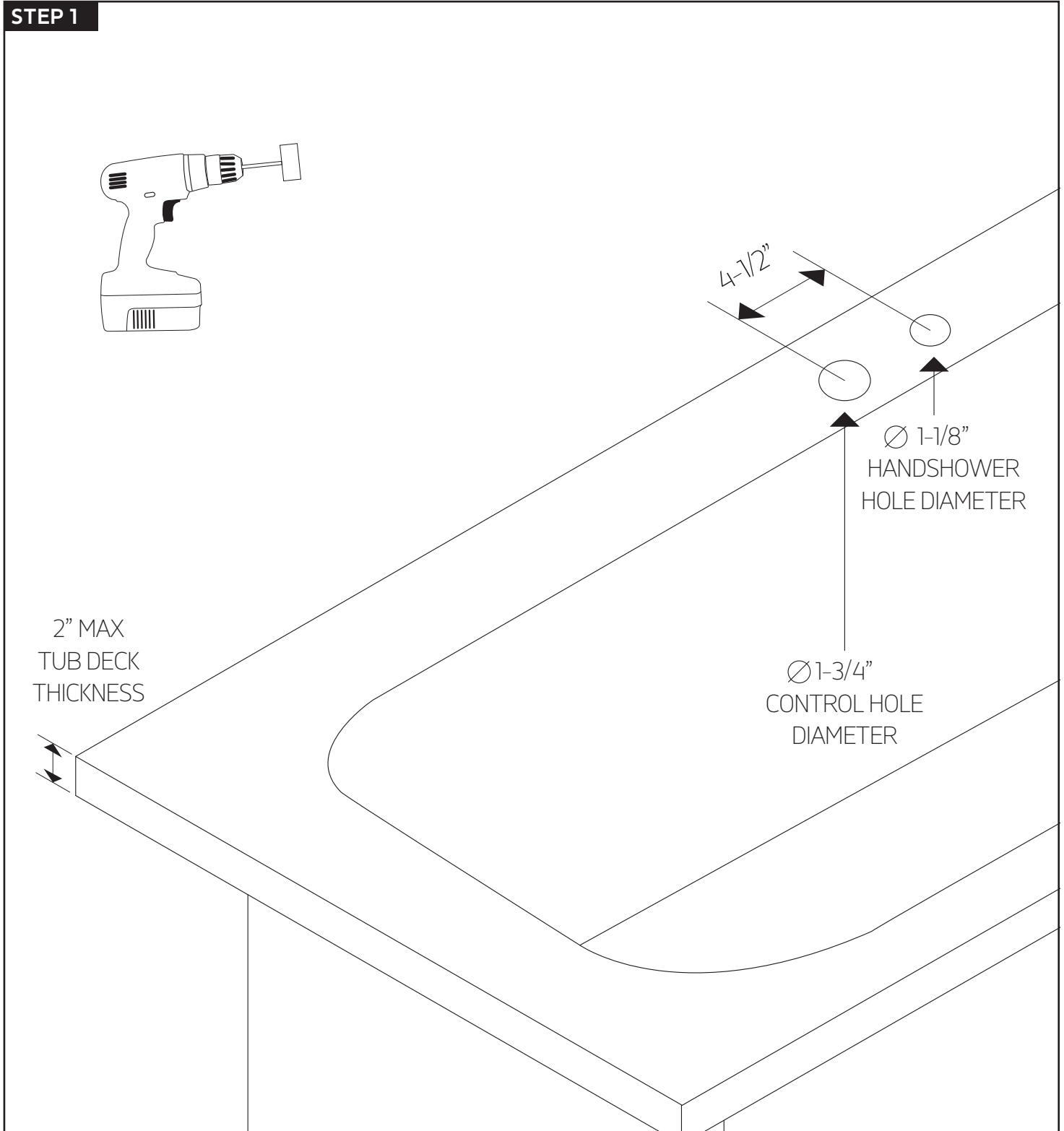


artos[®]

F402-7

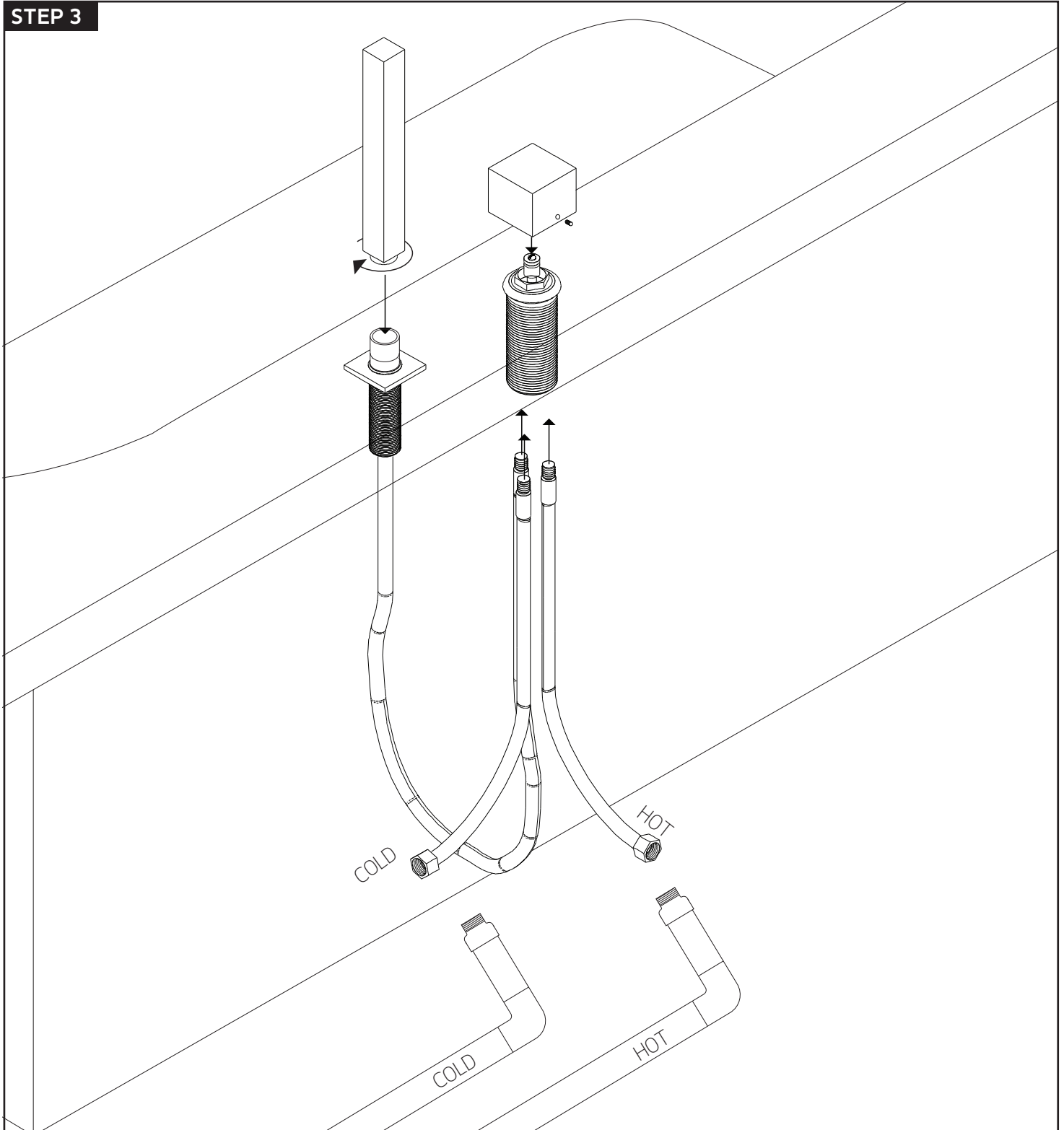
deck mount handshower and
control squ

STEP 1

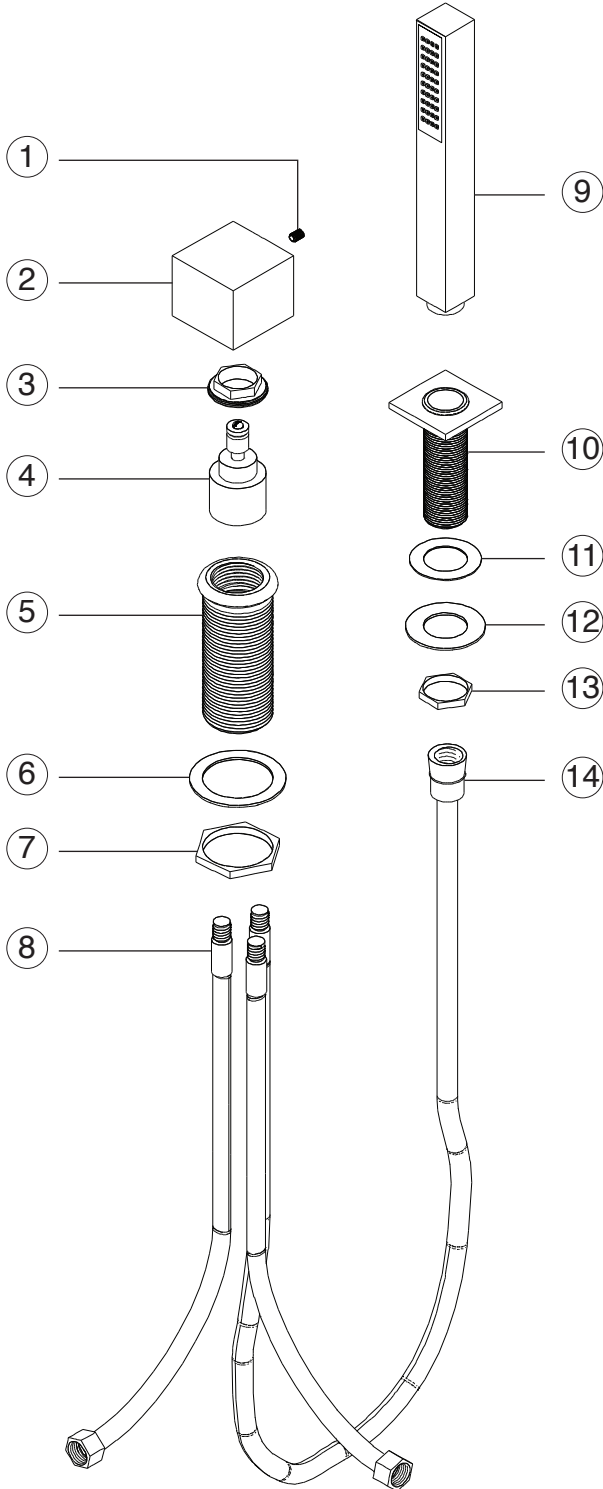


deck mount handshower and
control squ

STEP 3



deck mount handshower and
control squ



- ① SET SCREW F402-7 XP1
- ② CONTROL HANDLE F402-7 XP2
- ③ CONTROL CARTRIDGE SECURING NUT F402-7 XP3
- ④ CONTROL CARTRIDGE F402-7 XP4
- ⑤ CONTROL CONNECTOR F402-7 XP5
- ⑥ CONTROL DECK GASKET F402-7 XP6
- ⑦ CONTROL SECURING NUT F402-7 XP7
- ⑧ SUPPLY HOSE F402-7 XP8
- ⑨ HAND SHOWER F402-7 XP9
- ⑩ HAND SHOWER CONNECTOR F402-7 XP10
- ⑪ HAND SHOWER RUBBER WASHER F402-7 XP11
- ⑫ HAND SHOWER METAL WASHER F402-7 XP12
- ⑬ HAND SHOWER SECURING NUT F402-7 XP13
- ⑭ HAND SHOWER SUPPLY HOSE F402-7 XP14

artos[®]

F402-7

CARE & MAINTENANCE

deck mount handshower and
control squ

For best results, keep the following in mind to retain the high quality finish of your artos[®] faucets:

- Use a soft, dampened sponge or cloth. On no account should you use an abrasive material such as a brush, scouring pad or steel wool to clean surfaces.
- Test your cleaning agent solution on an inconspicuous area before applying to the entire faucet.
- Wipe surfaces clean and rinse completely with water immediately after applying cleaning agent.
- An ideal cleaning technique is to rinse faucet thoroughly and blot dry any water from the surface after each use.

LIMITED LIFETIME WARRANTY

artos[®] faucets are guaranteed for life against leaks and finishing defects for as long as the original purchaser owns it.

Damage caused by accident, misuse, abuse, improper installation, improper cleaning or alteration will void the warranty. This warranty does not cover replacement parts where damage is caused by normal wear and tear. Westover, Inc is not responsible for labor charges, installation or other incidental or consequential costs. Proof of purchase must be provided with all claims.

Please register this product online at WWW.ARTOS.US.COM

ITEM NO. **F402-7**
SERIAL NO.