

artos[®]

FS307

lav faucet square

INSTALLATION GUIDE

BRUSHED NICKEL(BN)



CHROME(CH)



BLACK (BK)



artos[®]

FS307

lav faucet square

OPERATING SPECIFICATIONS



OPERATING PRESSURE

Minimum: 15 psi

Maximum: 75 psi

Above 90psi it may be necessary to install a pressure reducer

OPERATING TEMPERATURE

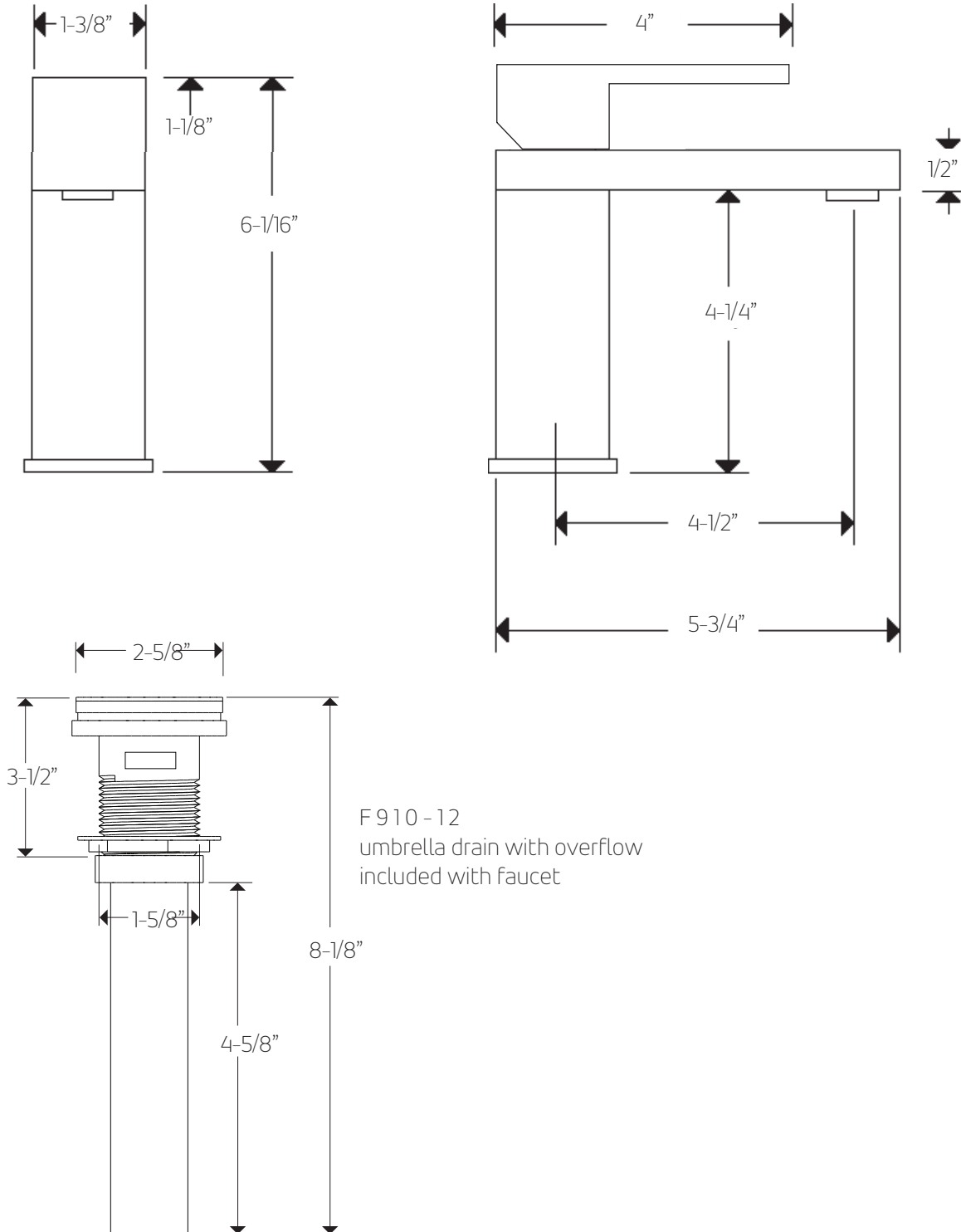
Maximum: 176°

FLOW RATE

1.2 USGPM

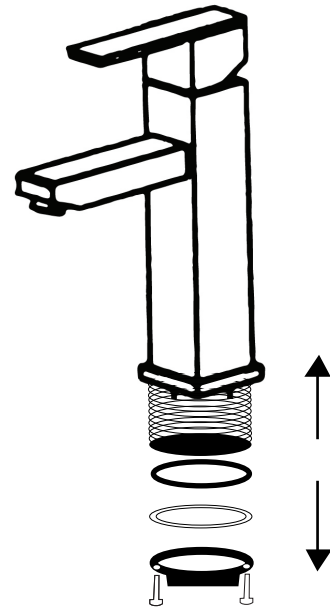
APPROVALS





NOTES BEFORE INSTALLATION:

1. Please check that all components are present.
2. Before installation ensure that all feed lines are clear of debris and on/off valve is present.
3. Ensure water pressure is between 20-125 PSI (Includes combination of hot and cold feed lines).
4. Pictures in the manual are general in content and may not represent exactly your purchased faucet. If you are having difficulties please contact a professional plumber.
5. If you will be away from home for an extended period you should shut .off the main water supply.



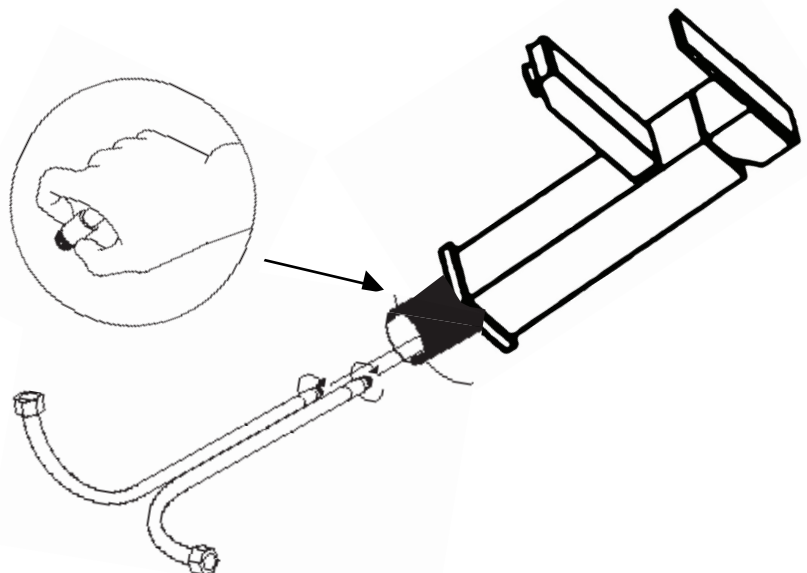
STEP 1

Remove the rubber washer, metal washer and locking nut from the faucet.

STEP 2

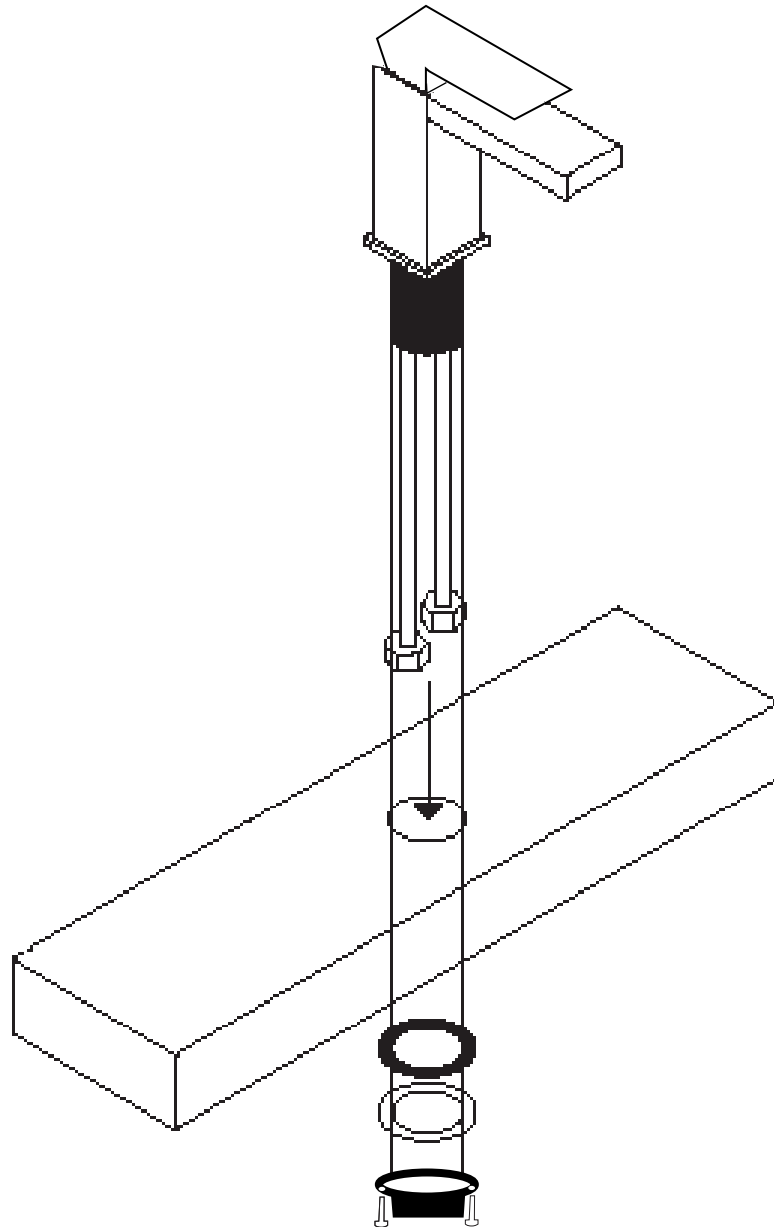
Screw and tighten the hot and cold flexible hoses to the faucet.

DO NOT use a wrench to tighten hoses as this may damage the hose and/or the hose threads.



STEP 3

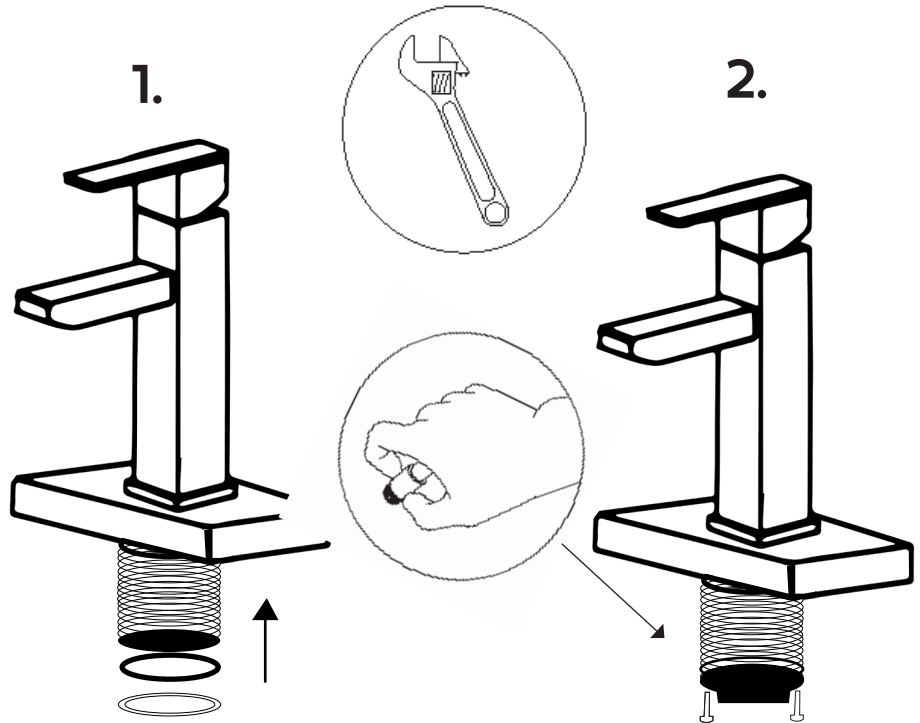
Install faucet
through center
hole.



STEP 4

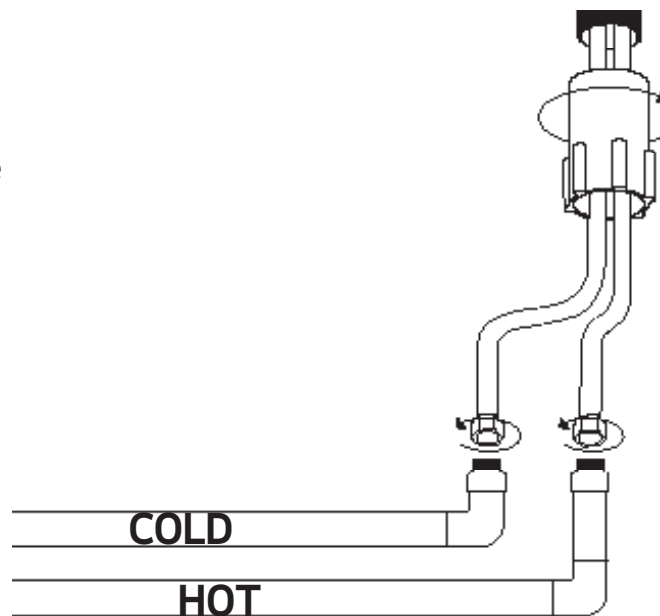
Re-install the rubber washer followed by the metal washer and lock-nut.

Hand tighten then tighten further using a screw driver to tighten lock,nut screws.



STEP 5

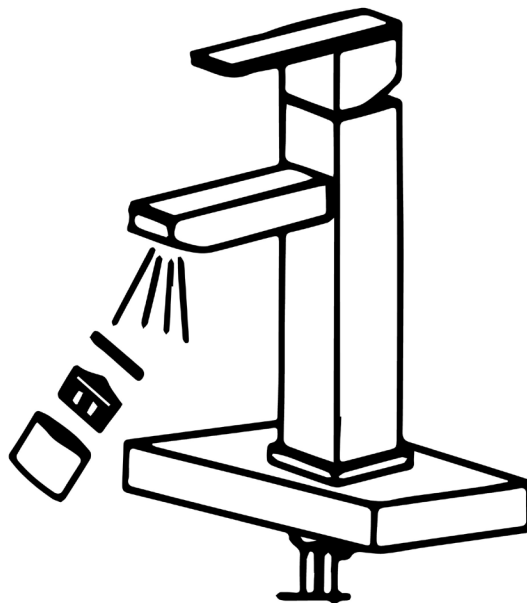
Attach flexible hose to water supply.



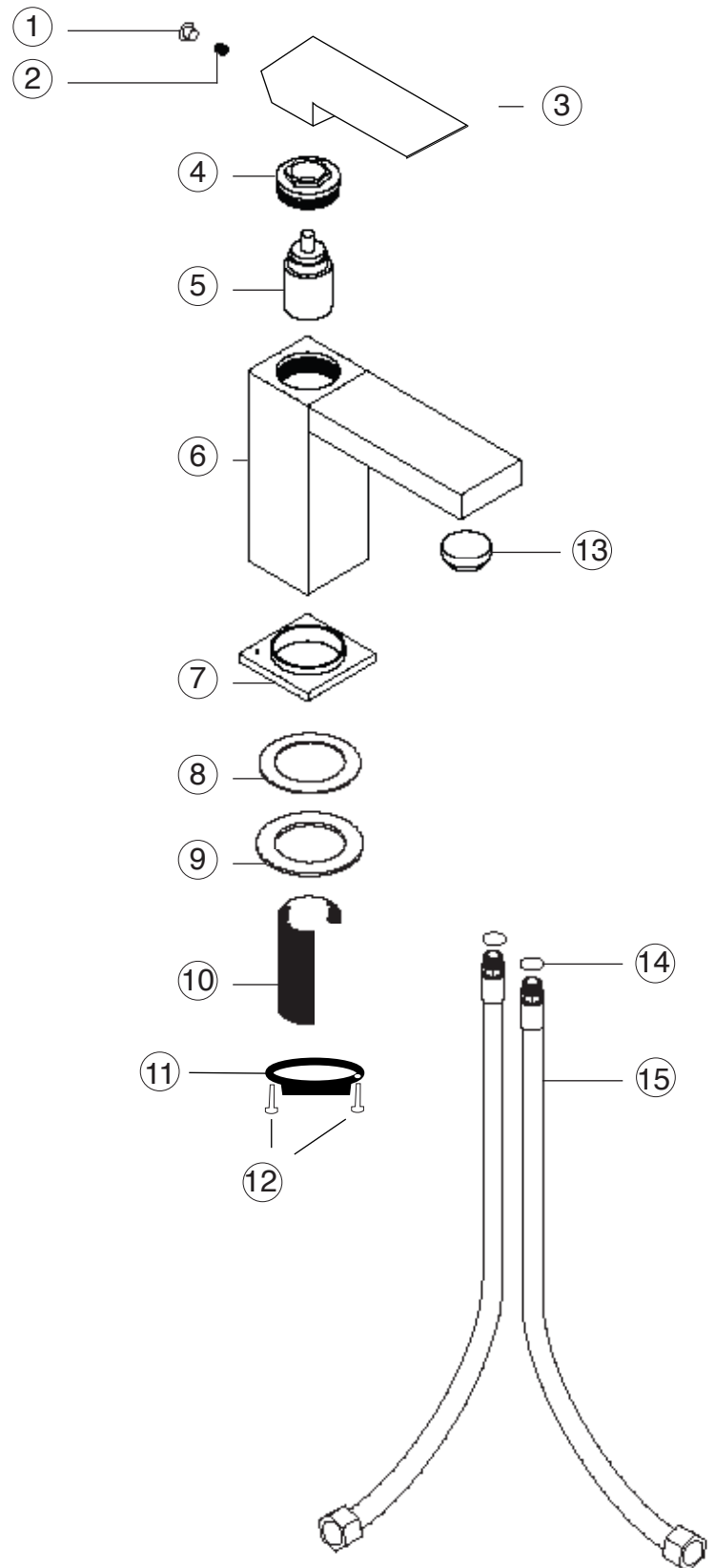
STEP 6

Remove the aerator and turn on faucet for 1-minute to flush debris from faucet and feed lines.

Turn faucet off and re-install aerator.



- ① **HANDLE SET SCREW CAP** FS307 XP1
- ② **HANDLE SET SCREW** FS307 XP2
- ③ **HANDLE** FS307 XP3
- ④ **CARTRIDGE SECURING NUT** FS307 XP4
- ⑤ **CARTRIDGE** FS307 XP5
- ⑥ **FAUCET BODY** FS307 XP6
- ⑦ **FAUCET ESCUTCHEON** FS307 XP7
- ⑧ **RUBBER WASHER** FS307 XP8
- ⑨ **METAL WASHER** FS307XP9
- ⑩ **THREADED PIPE** FS307 XP10
- ⑪ **SECURING NUT** FS307 XP11
- ⑫ **SUPPLY HOSE SCREWS(2)** FS307 XP12
- ⑬ **AERATOR** FS307 XP13
- ⑭ **SUPPLY HOSE O-RING(2)** FS307 XP14
- ⑮ **SUPPLY HOSE(2)** FS307 XP15



artos[®]

FS307

lav faucet square

CARE & MAINTENANCE

For best results, keep the following in mind to retain the high quality finish of your artos[®] faucets:

- Use a soft, dampened sponge or cloth. On no account should you use an abrasive material such as a brush, scouring pad or steel wool to clean surfaces.
- Test your cleaning agent solution on an inconspicuous area before applying to the entire faucet. Wipe surfaces clean and rinse completely with water immediately after applying cleaning agent.
- An ideal cleaning technique is to rinse faucet thoroughly and blot dry any water from the surface after each use.

LIMITED LIFETIME WARRANTY

artos[®] Artos[®] Limited Lifetime Warranty Artos[®] faucets have been manufactured under the highest quality and manufacturing standards. Artos[®] faucets are guaranteed for life against leaks and manufacturing defects for as long as the original consumer purchaser owns it. This warranty applies to installations in the US, Canada and Mexico (North America). Commercial, Industrial or business uses are warranted for a period of one year from the original date of purchase.

This warranty is non-transferable and applies exclusively to the original owner or end-user. If a defect is found during normal use, Artos[®] will, at its election, repair, replace or make an appropriate adjustment. Damage caused by accident, misuse, abuse, improper installation or alteration will void the warranty. This warranty does not cover replacement parts where damage is caused by normal wear and tear. Labor charges, installation or other incidental or consequential costs will not be covered.

Replacement parts that qualify for warranty repair can be obtained by contacting Artos[®] at 1-877-9ARTOS9 or by e-mail at info@artos.us.com. Proof of purchase (original sales receipt) from the original consumer purchaser must accompany all warranty claims. When submitting your claim in writing, please provide your name, address and telephone number.

Please register this product online at WWW.ARTOS.US.COM

ITEM NO. **FS307**
SERIAL NO.