

artos[®]



CF521

Touch free
sensor faucet

TECHNICAL DATA SHEET

BRUSHED NICKEL(BN)



CHROME(CH)



BLACK(BK)



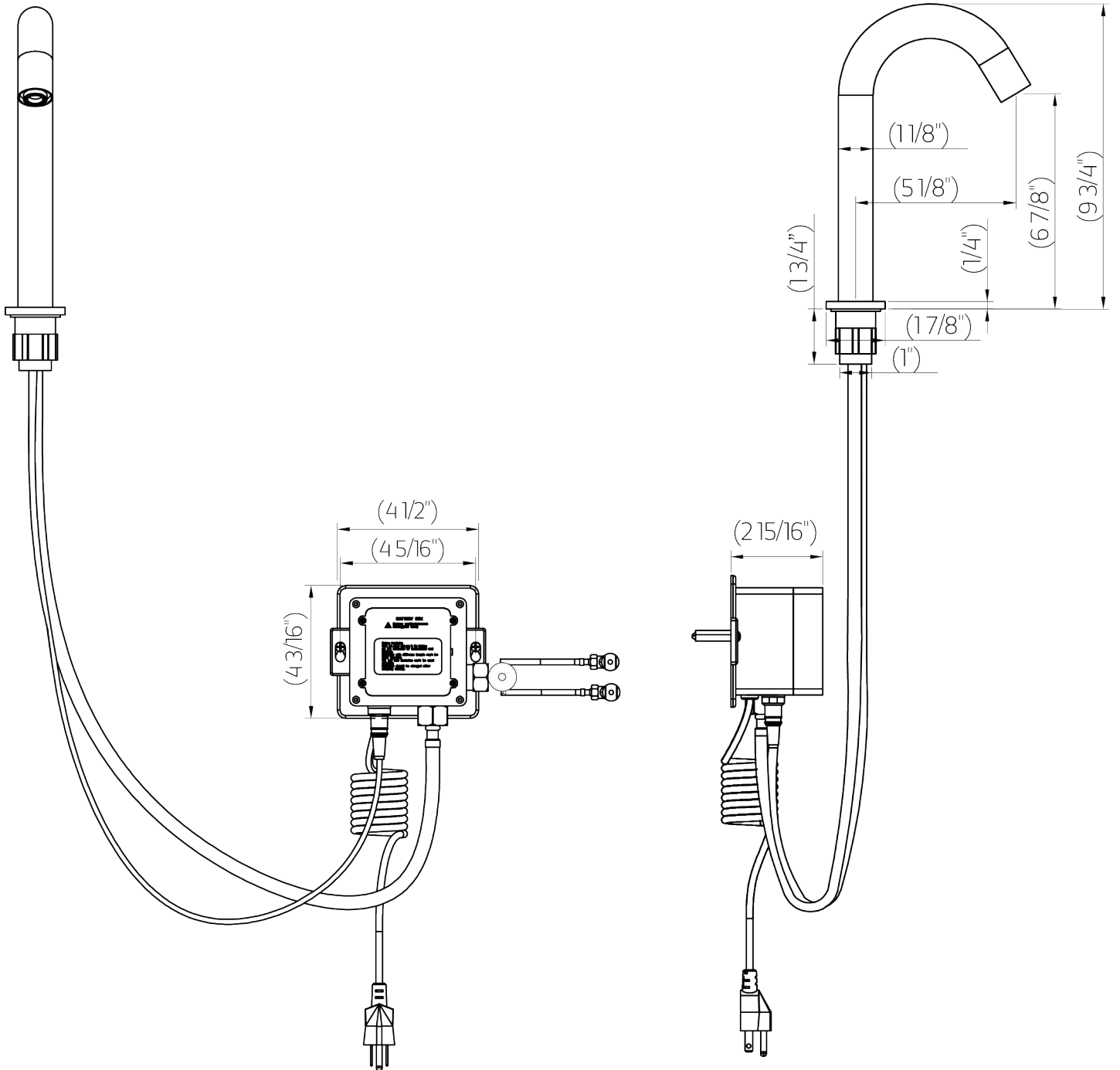
artos[®]



CF521

Touch free
sensor faucet

TECHNICAL DATA SHEET



artos[®]

CF521

Touch free
sensor faucet

OPERATING SPECIFICATIONS



OPERATING FLOW RATE/PRESSURE

1.2gpm or 0.5 gpm on request

OPERATING TEMPERATURE

Maximum: 176°

STANDARDS

Certified to CUPC

ADA compliant

0.5 GPM for Commercial Use

1.2 GPM Residential Use

REQUIREMENTS

Max Surface Thickness: 1-5/8"

110V mains connection included option

for battery only operation

Use mixing valve CFMV01 for

temperature control at faucet



artos[®]

CF521

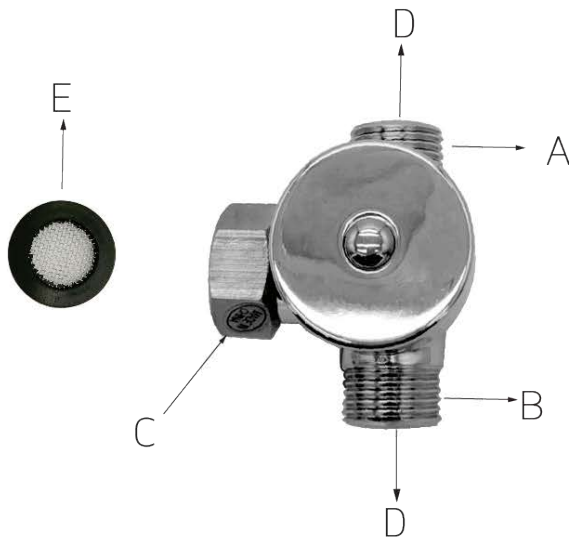
Touch free
sensor faucet



OPERATING SPECIFICATIONS

CFMV01 Mixing Valve -
use with CF521 touch free sensor
faucet

1. PARTS NAME



- A** G1/2 hot water inlet
- B** G1/2 cold water inlet
- C** G1/2 water port
- D** Check valve
- E** Rubber gasket

2. ILLUSTRATION INSTALLATION

