

artos[®]



F402-10

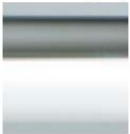
TECHNICAL DATA SHEET

square wall mount tub
filler

BRUSHED NICKEL(BN)



CHROME(CH)



BLACK(BK)



artos

F402-10

OPERATING SPECIFICATIONS

square wall mount tub
filler



OPERATING PRESSURE

Minimum: 15 psi

Maximum: 75 psi

Above 90psi it may be necessary to install a pressure reducer

OPERATING TEMPERATURE

Maximum: 176°

FLOW CAPACITY

6.1 USGPM

INLET/OUTLET

1/2" Male NPT

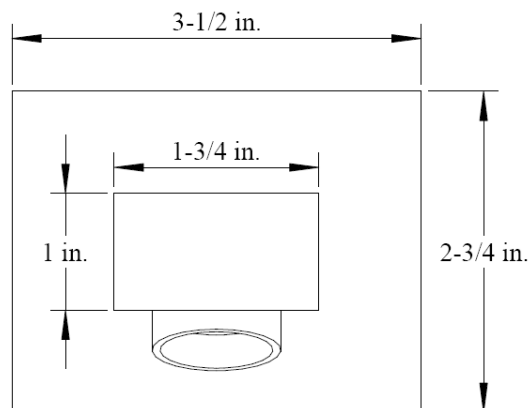
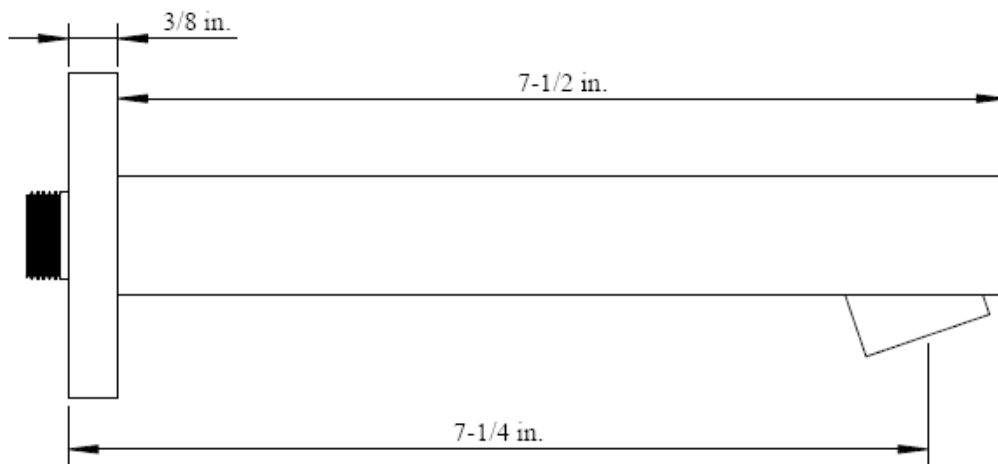
artos[®]



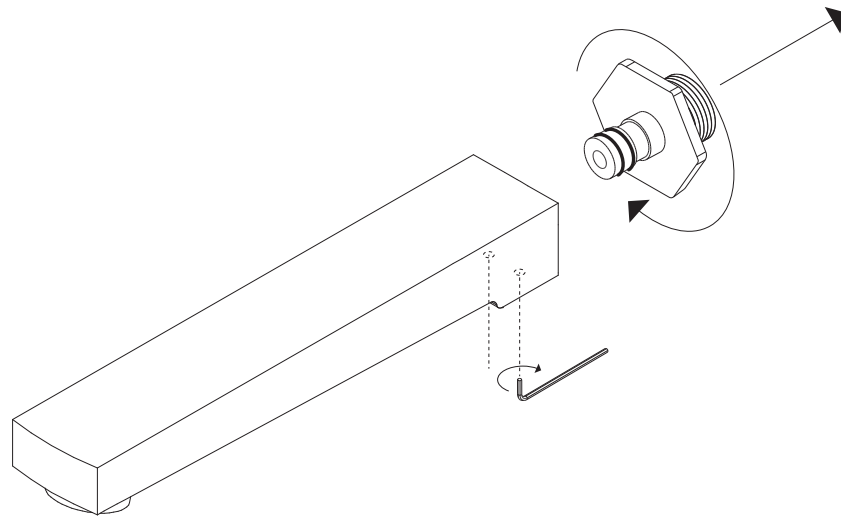
F402-10

TECHNICAL DATA SHEET

square wall mount tub
filler

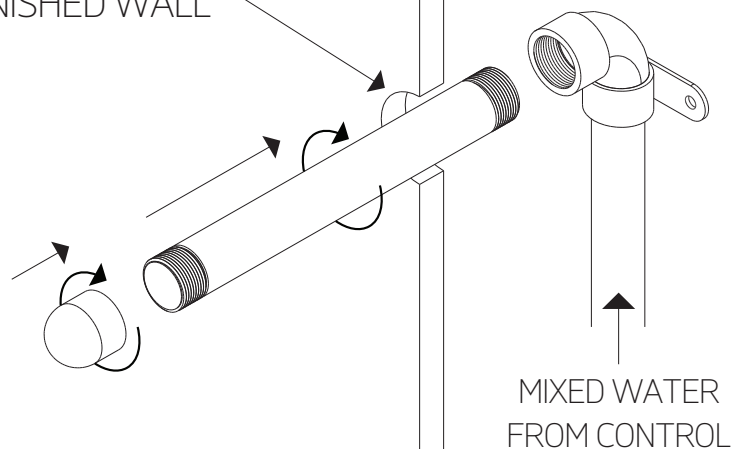


STEP 1



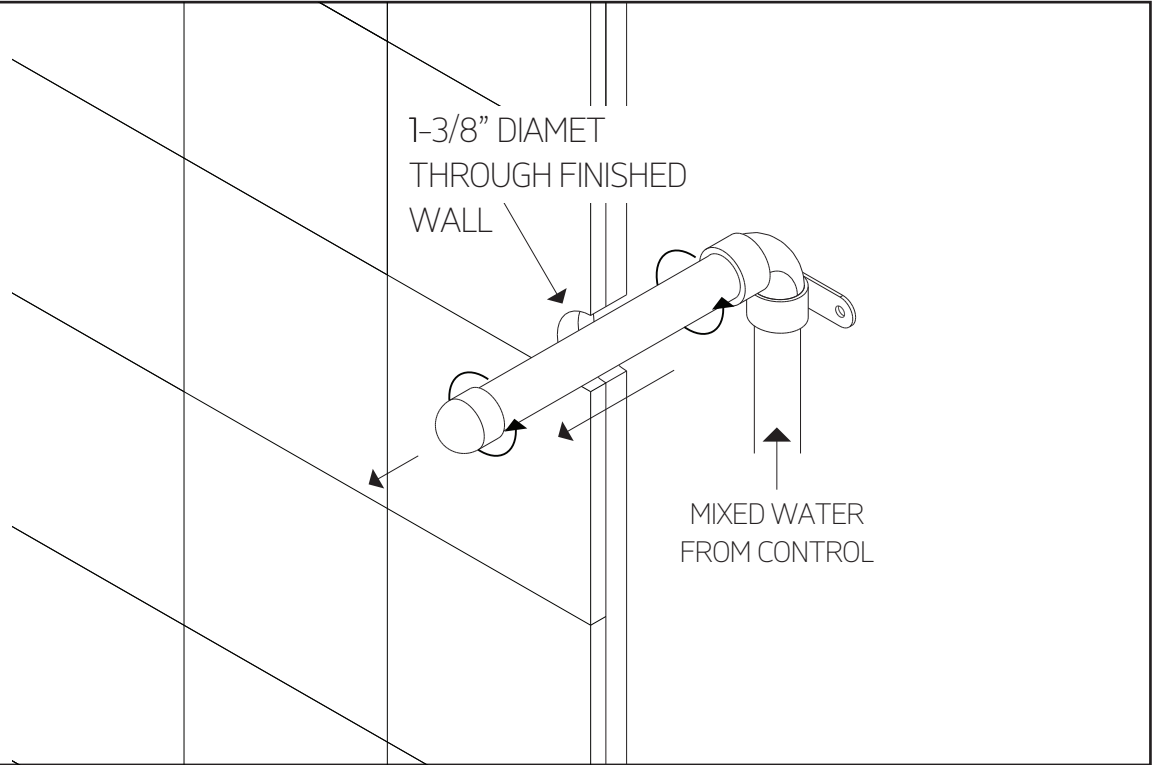
STEP 2

1-3/8" DIAMETER THROU
FINISHED WALL

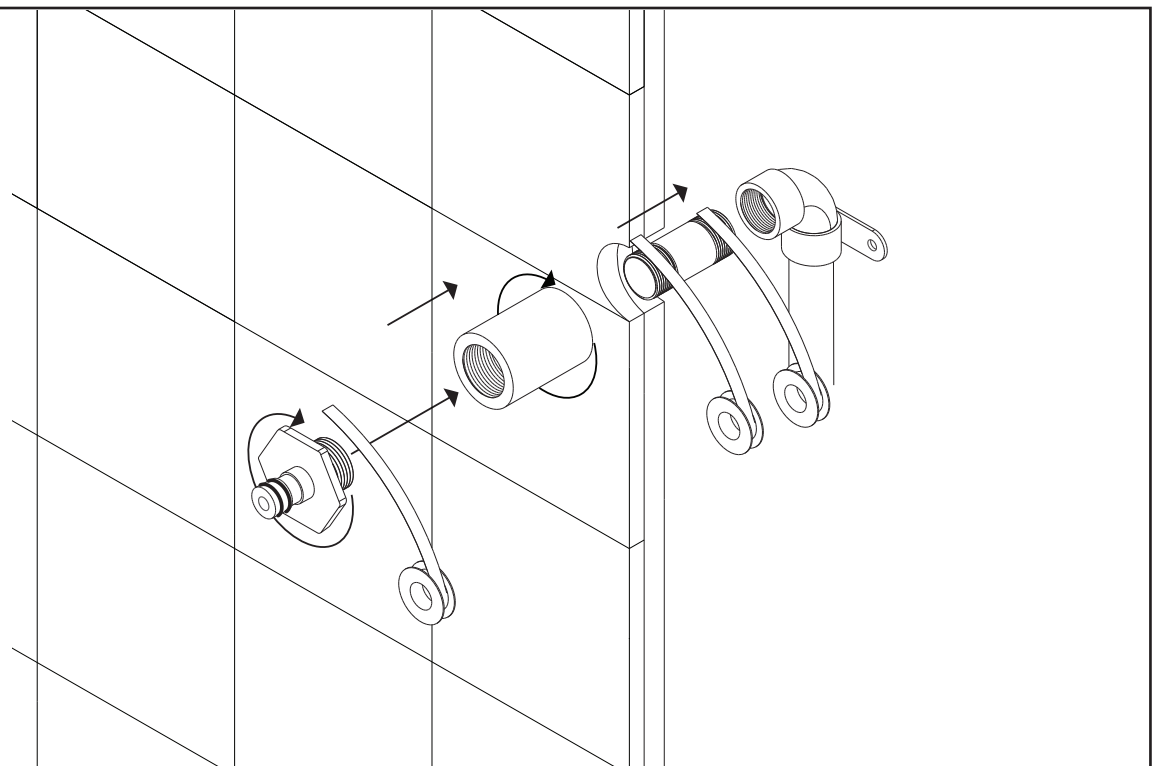


INSTALLATION STEPS

STEP 3

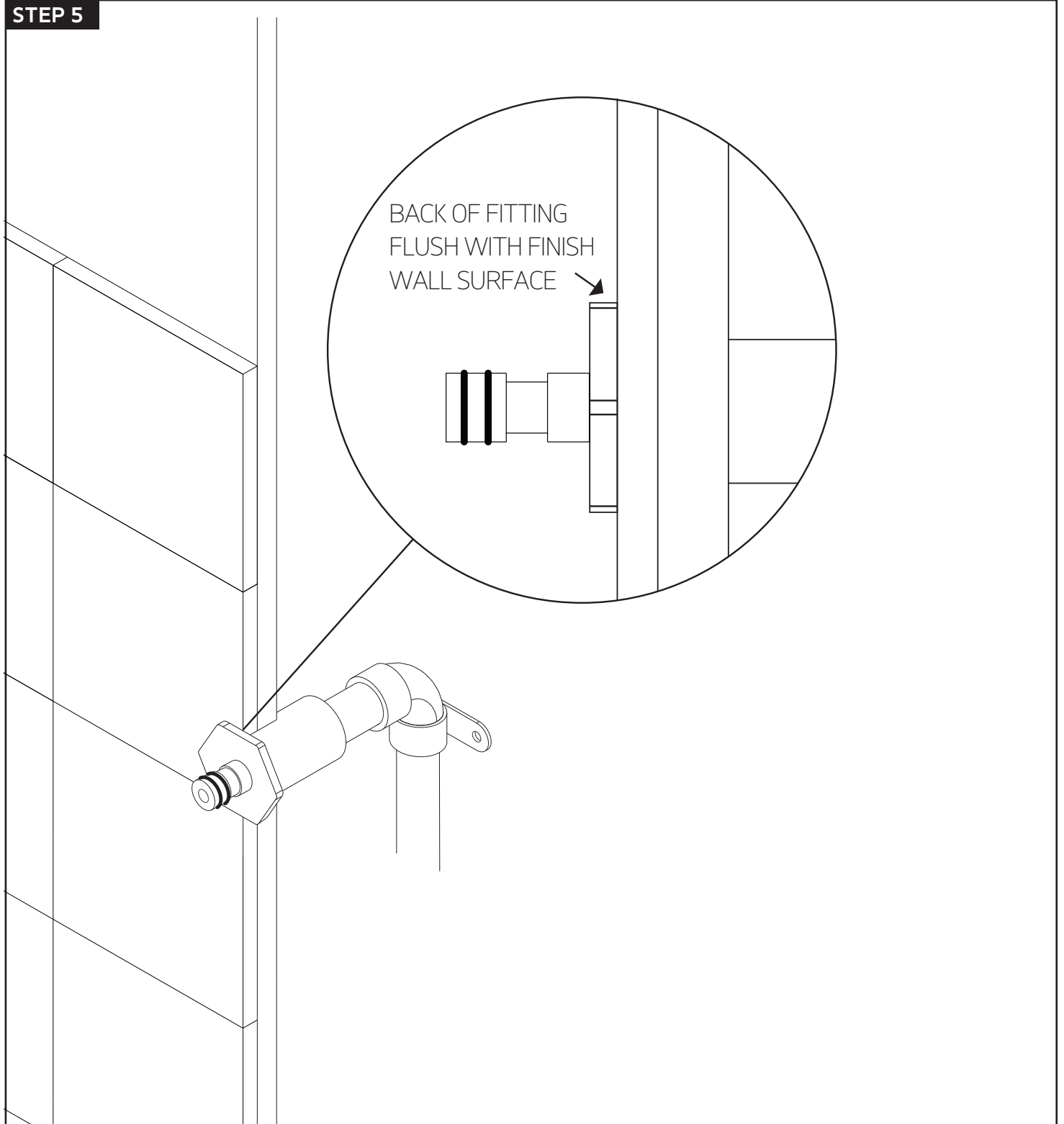


STEP 4



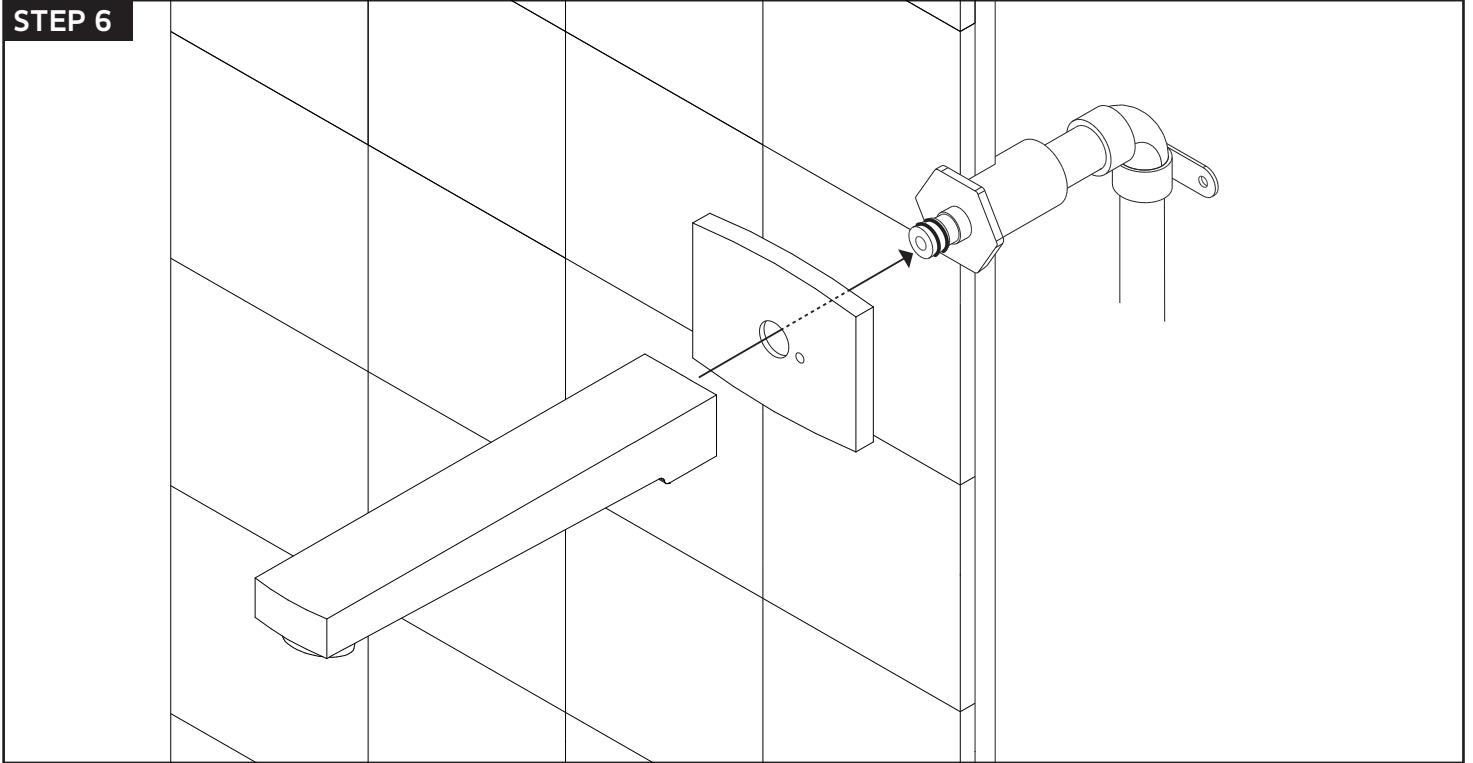
square wall mount
tub filler

STEP 5



square wall mount
tub filler

STEP 6



STEP 7

